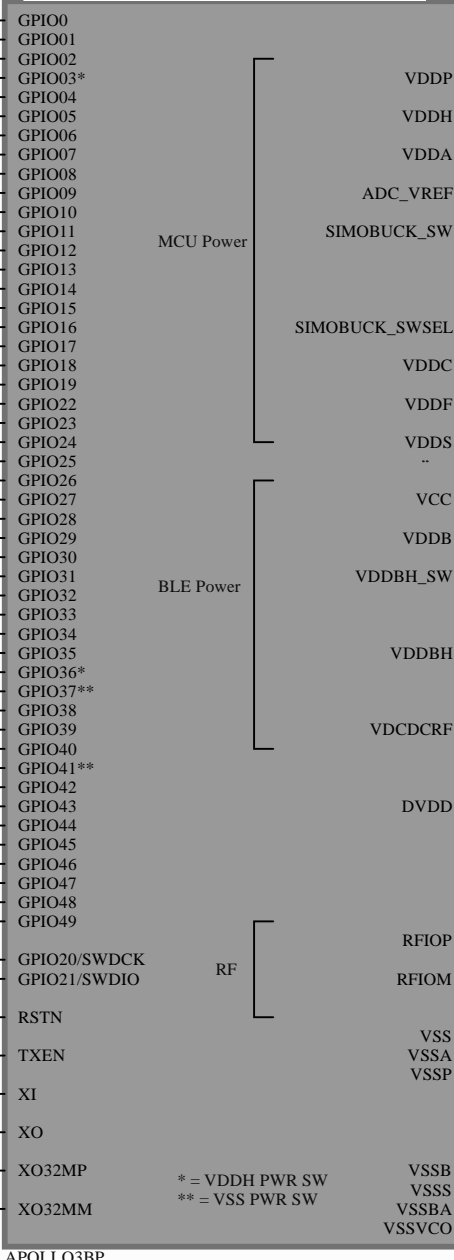
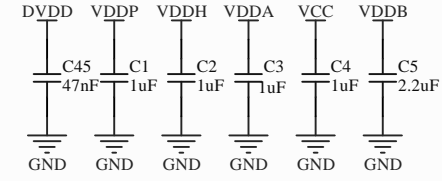


U1A

SSCL SSCK CKO MSPI4 NCE0 GP0	G4
SSDA SMOSI TX0 MSPI5 NCE1 GP1	H4
RX1 SMISO RX0 MSPI6 NCE2 GP2	J4
RTS0 SCE NCE3 MSPI7 TRG1 I2SW GP3	G3
CTS0 SINT NCE4 RX1 CT17 MISP2 GP4	A11
M0SCL M0SCK RTS0 EXHFA CT8 GP5	D8
M0SDA M0MISO CTS0 CT10 I2SD GP6	C9
NCE7 M0MOSI CKO TRG0 TX0 CT19 GP7	C8
M1SCL M1SCK NCE8 SCCLK TX1 GP8	E10
M1SDA M1MISO NCE9 SCCIO RX1 GP9	D9
TX1 MIMOSI NCE10 PDMC RTS1 GP10	F10
ADCSE2 NCE11 CT31 SINT CTS1 RX0 PDMD GP11	B5
ADCNSE9 NCE12 CT0 SCE PDMC CTS0 TX1 GP12	A7
ADC0PSE8 NCE13 CT2 I2SB EXHFB RTS0 RX1 GP13	B7
ADC1P NCE14 TX1 PDMC EXHFS SWDCK 32K GP14	C7
ADC1N NCE15 RX1 PDMD EXXT SWDIO SWO GP15	C6
ADCSE0 NCE16 TRG0 SCCRST CMP10 TX0 RTS1 GP16	F3
CMPR1 NCE17 TRG1 SCCLK RX0 CTS1 GP17	E3
CMP11 NCE18 CT4 RTS0 ATST2 TX1 SCCIO GP18	D4
CMPR0 NCE19 CT6 SCCLK ATST1 RX1 I2SB GP19	F2
TX0 NCE22 CT12 PDMC EXLF MSPI0 SWO GP22	B10
RX0 NCE23 CT14 I2SW CMP0 MSPI3 EXXT GP23	A12
TX1 NCE24 MSPI8 CTS0 CT21 32K SWO GP24	B9
RX1 NCE25 CT1 M2SDA M2MISO GP25	A8
EXHF NCE26 CT3 SCCRST MSPI1 TX0 CTS1 GP26	A10
RX0 NCE27 CT5 M2SCL M2SCK GP27	B8
I2SW NCE28 CT7 M2MOSI TX0 GP28	A9
ADCSE1 NCE29 CT9 CTS0 CTS1 RX0 PDMD GP29	A5
ATST1 NCE30 CT11 TX0 RTS1 BLESCK I2SD GP30	F4
ADCSE3 NCE31 CT13 RX0 SCCLK BLEMISO RTS1 GP31	D5
ADCSE4 NCE32 CT15 SCCIO EXLF BLEMOSI CTS1 GP32	B6
ADCSE5 NCE33 32K BLECSN CTS0 CT23 SWO GP33	C5
ADCSE6 NCE34 RTS1 CMPR2 RTS0 RX0 PDMD GP34	D6
ADCSE7 NCE35 TX1 I2SD CT27 RTS0 BLESTATUS GP35	E4
TRG1 NCE36 RX1 32K CTS1 CTS0 PDMD GP36	G8
TRG2 NCE37 RTS0 SCCIO TX1 PDMC CT29 GP37	E9
TRIG3 NCE38 CTS0 M3MOSI RX1 GP38	J7
TX0 TX1 CT25 M4SCL M4SCK GP39	J11
RX0 RX1 TRG0 M4SDA M4MISO GP40	J12
NCE41 BLEIRQ SWO I2SW RTS1 TX0 RTS0 GP41	D7
TX1 NCE42 CT16 M3SCL M3SCK GP42	J9
RX1 NCE43 CT18 M3SDA M3MISO GP43	J8
RTS1 NCE44 CT20 M4MOSI TX0 GP44	J10
CST1 NCE45 CT22 I2SD PDMD RX0 SWO GP45	H8
I2SB NCE46 CT24 SCCRST PDMC TX1 SWO GP46	H9
32K NCE47 CT26 M5MOSI RX1 GP47	H10
TX0 NCE48 CT28 M5SCL M5SCK GP48	H11
RX0 NCE49 CT30 M5SDA M5MISO GP49	H12

SWDCK NCE20 TX0 TX1 I2SB RTS1 GP20	F8
SWDIO NCE21 RX0 RX1 SCCRST CTS1 GP21	F7
RSTN	G7
TXEN	H3
XI	B4
XO	A4
XO32MP	E1
XO32MM	E2

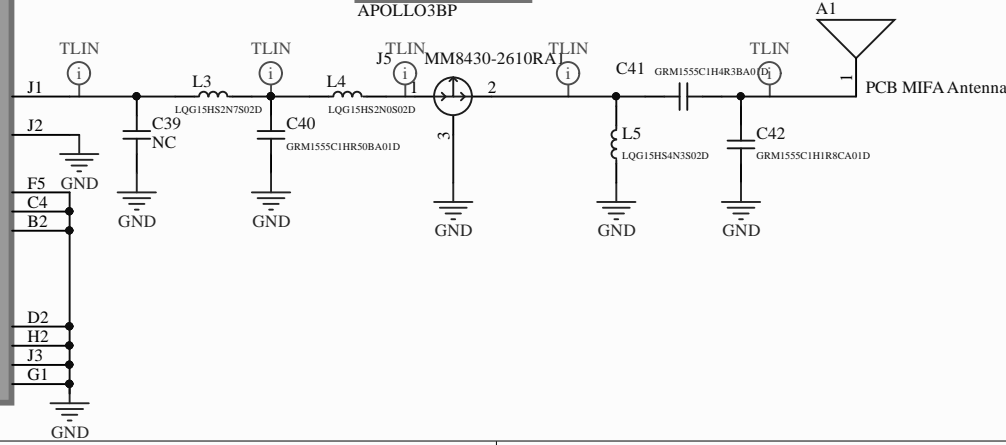
APOLLO3BP


 * = VDDH PWR SW
 ** = VSS PWR SW


U1B

GPI050	J6	SWO NCE50 CT0 TX0 RX0 TX1 RX1 GP50
GPI051	B11	MSPI1_0 NCE51 CT1 GP51
GPI052	B12	MSPI1_1 NCE52 CT2 GP52
GPI053	D10	MSPI1_2 NCE53 CT3 GP53
GPI054	C10	MSPI1_3 NCE54 CT4 GP54
GPI055	E11	MSPI1_4 NCE55 CT5 GP55
GPI056	D11	MSPI1_5 NCE56 CT6 GP56
GPI057	C11	MSPI1_6 NCE57 CT7 GP57
GPI058	E12	MSPI1_7 NCE58 CT8 GP58
GPI059	D12	MSPI1_8 NCE59 CT9 GP59
GPI060	C12	MSPI1_9 NCE60 CT10 GP60
GPI061	H6	SWO NCE61 CT11 TX0 RX0 TX1 RX1 GP61
GPI062	G6	SWO NCE62 CT12 CTS0 RTS0 CTS1 RTS1 GP62
GPI063	H7	SWO NCE63 CT13 CTS0 RTS0 CTS1 RTS1 GP63
GPI064	F12	MSPI2_0 NCE64 CT14 GP64
GPI065	F11	MSPI2_1 NCE65 CT15 GP65
GPI066	G12	MSPI2_2 NCE66 CT16 GP66
GPI067	G11	MSPI2_3 NCE67 CT17 GP67
GPI068	G10	MSPI2_4 NCE68 CT18 GP68
GPI069	G9	SWO NCE69 CT19 TX0 RX0 TX1 RX1 GP69
GPI070	F9	SWO NCE70 CT20 TX0 RX0 TX1 RX1 GP70
GPI071	J5	SWO NCE71 CT21 TX0 RX0 TX1 RX1 GP71
GPI072	H5	SWO NCE72 CT22 TX0 RX0 TX1 RX1 GP72
GPI073	G5	SWO NCE73 CT23 CTS0 RTS0 CTS1 RTS1 GP73

APOLLO3BP



A

A

B

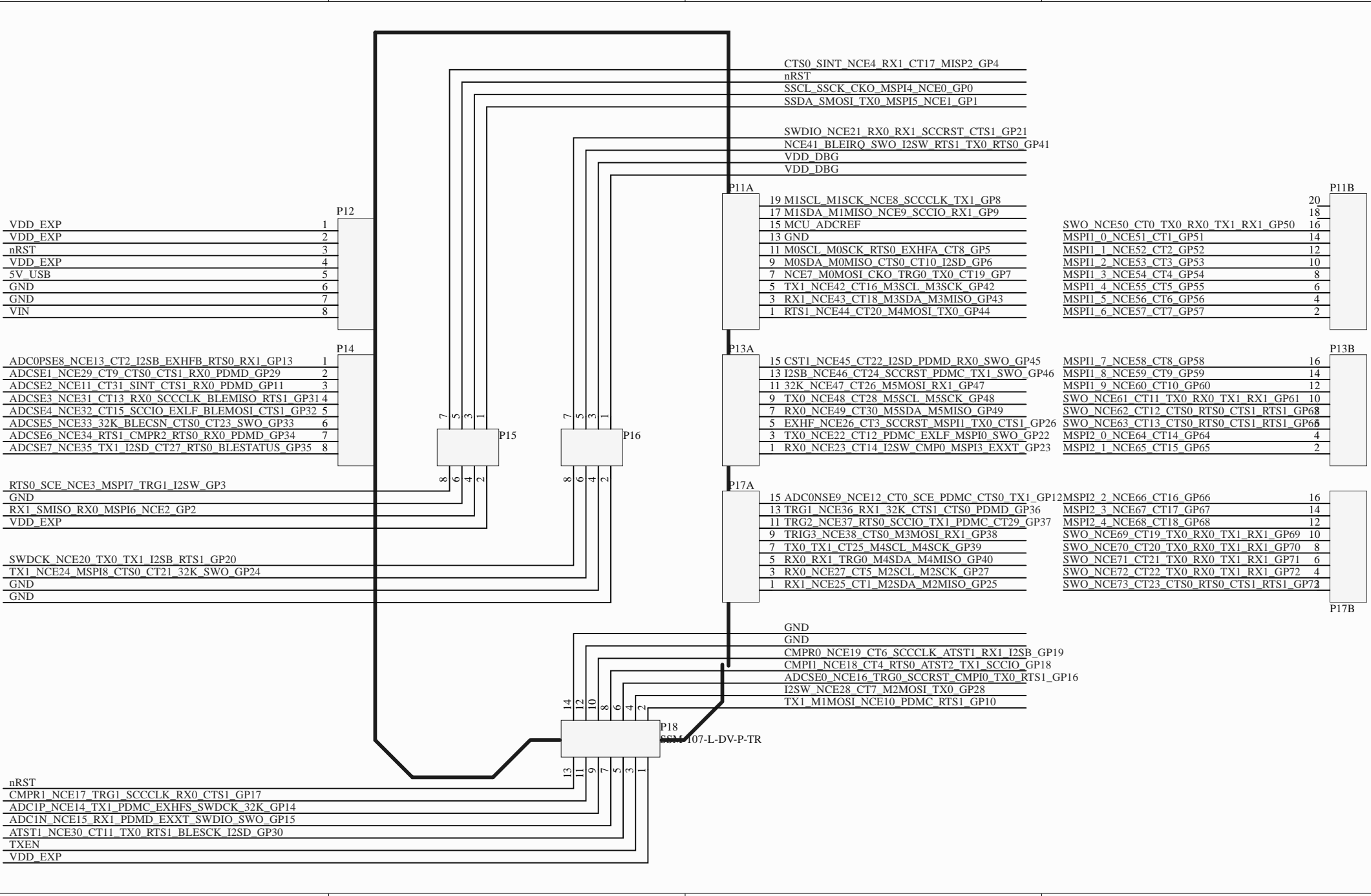
B

C

C

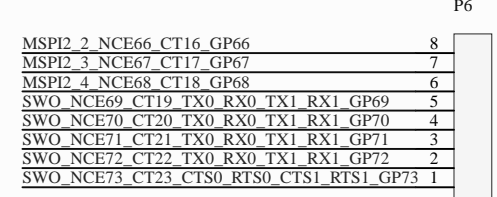
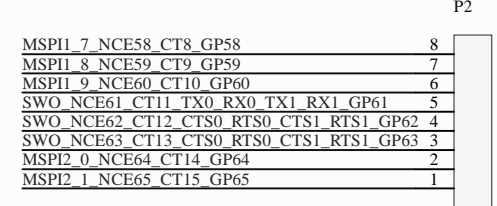
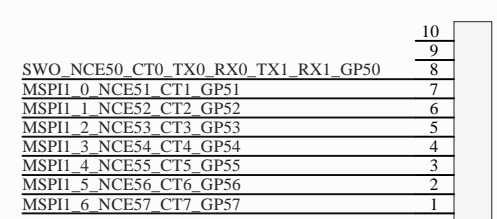
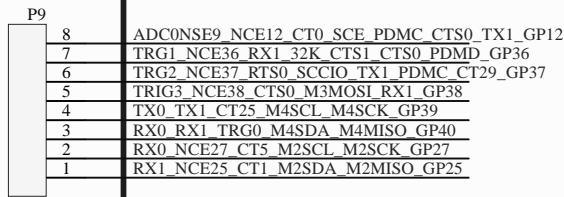
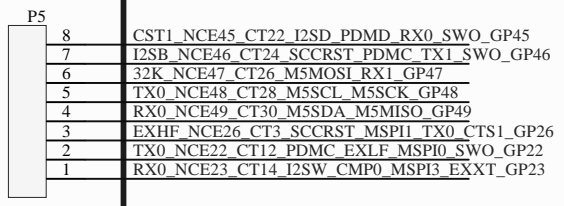
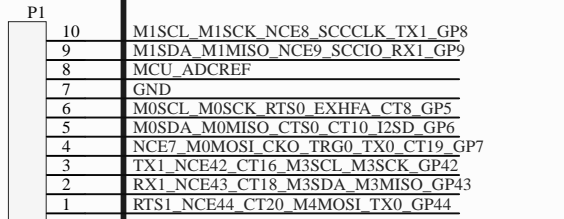
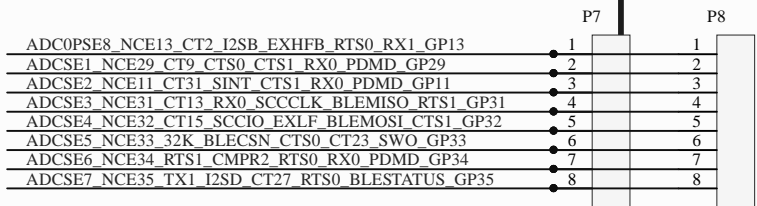
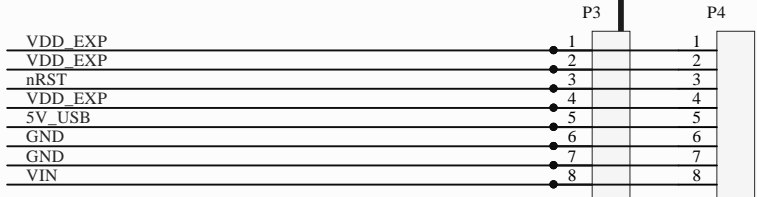
D

D



A

A



B

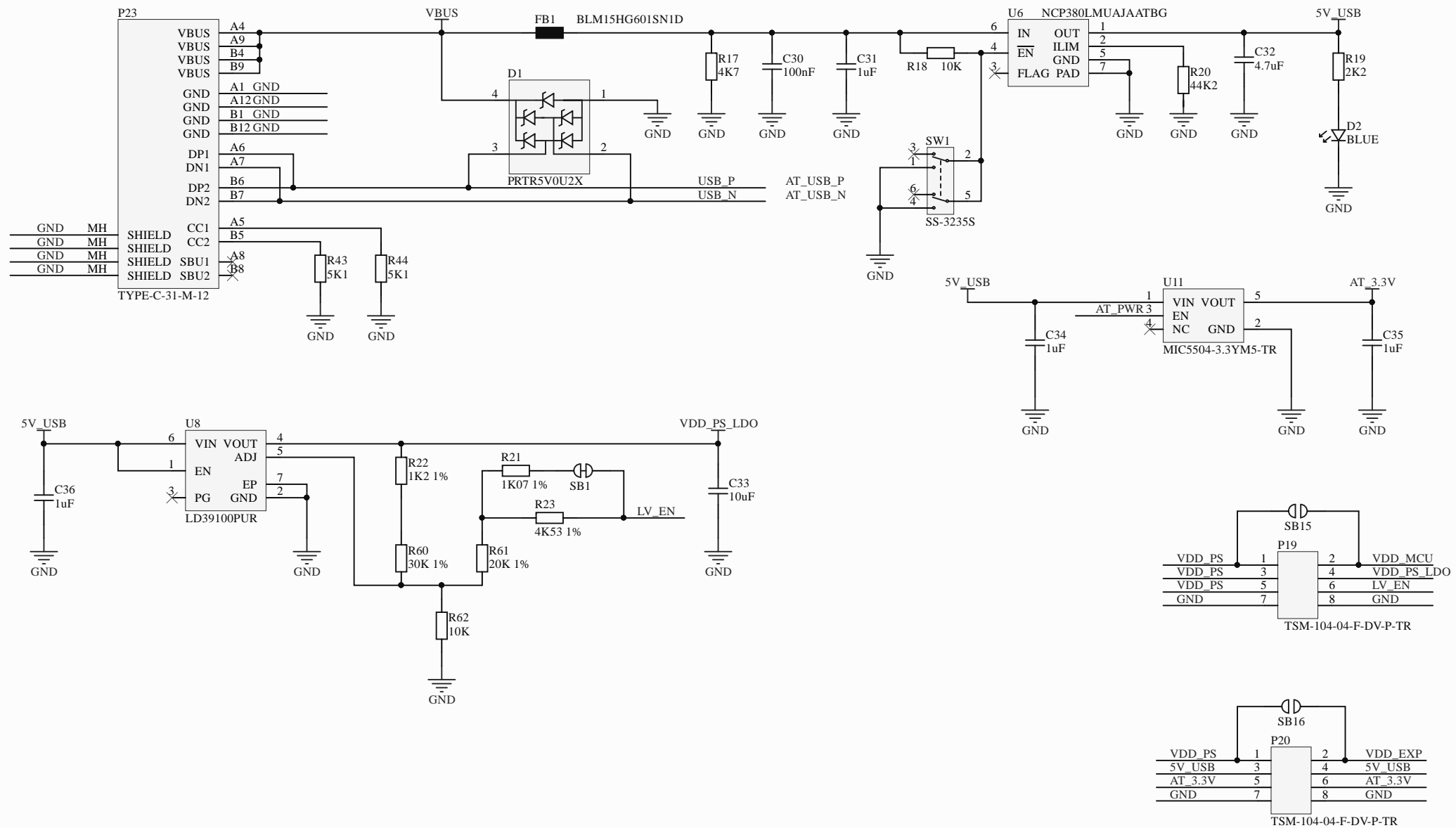
B

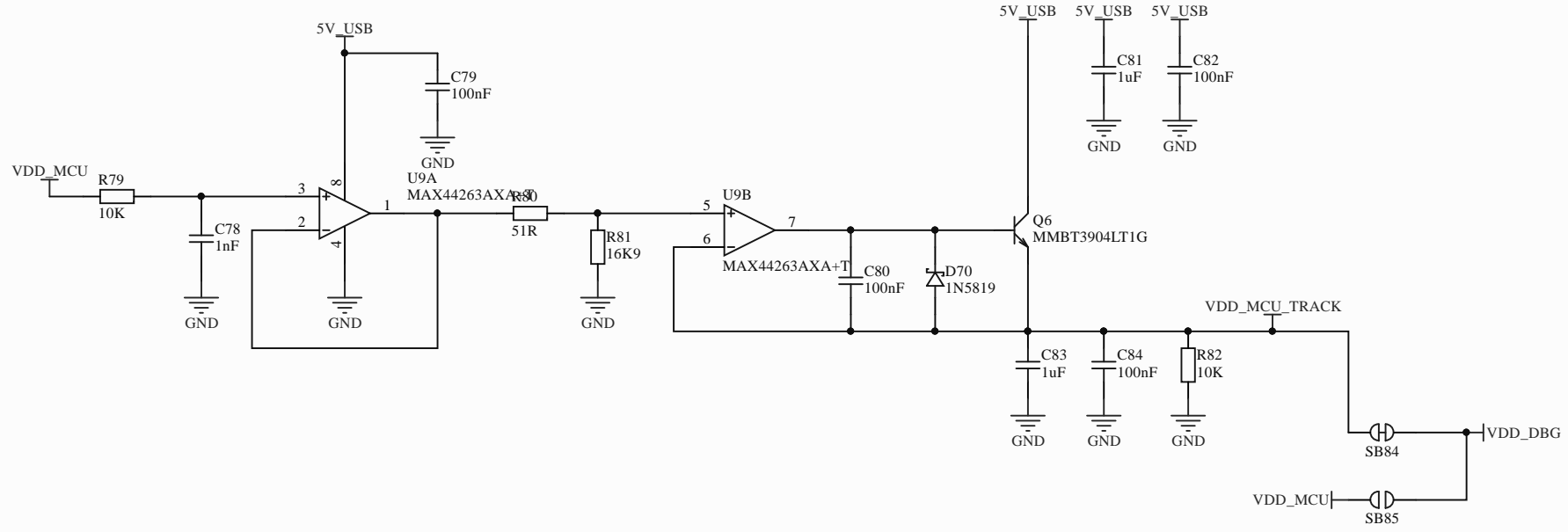
C

C

D

D





A

A

B

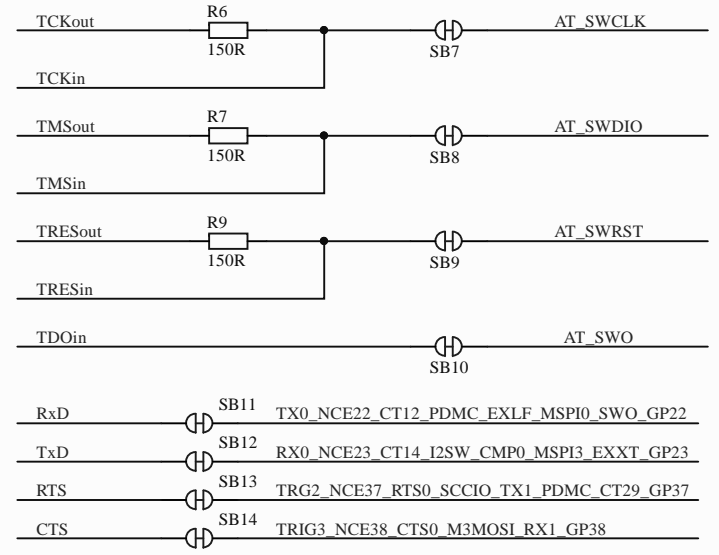
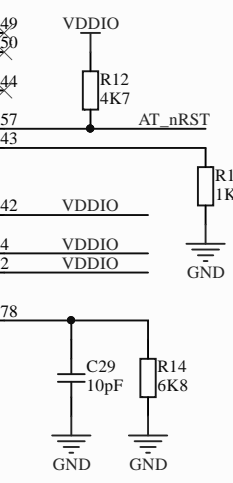
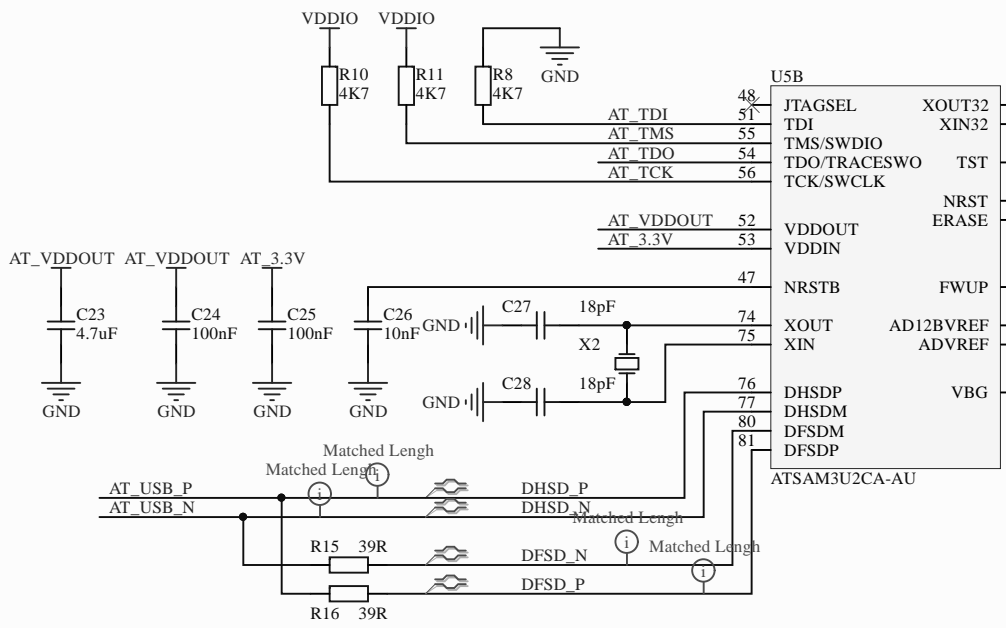
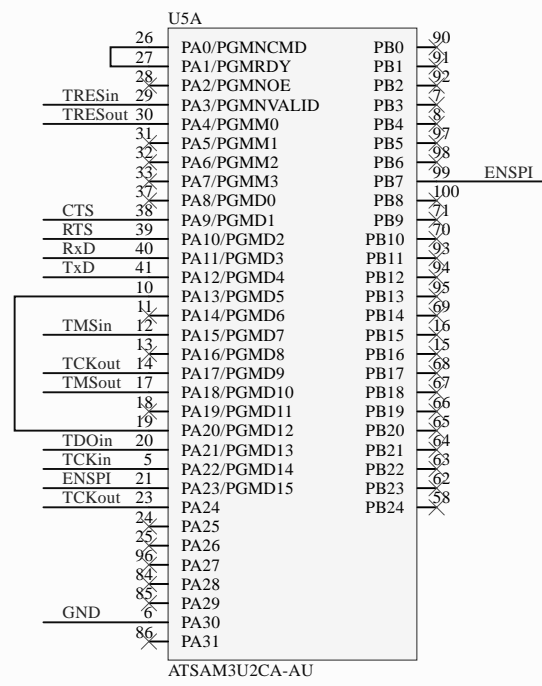
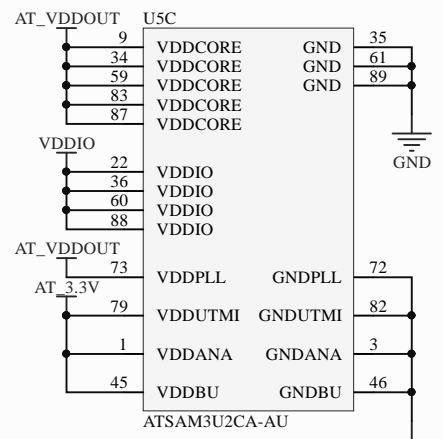
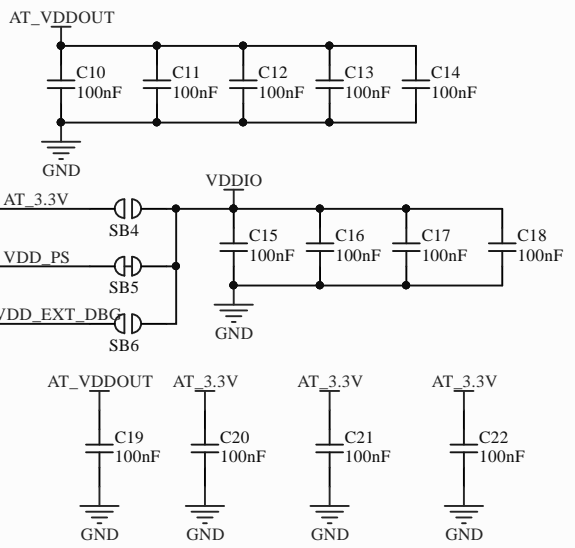
B

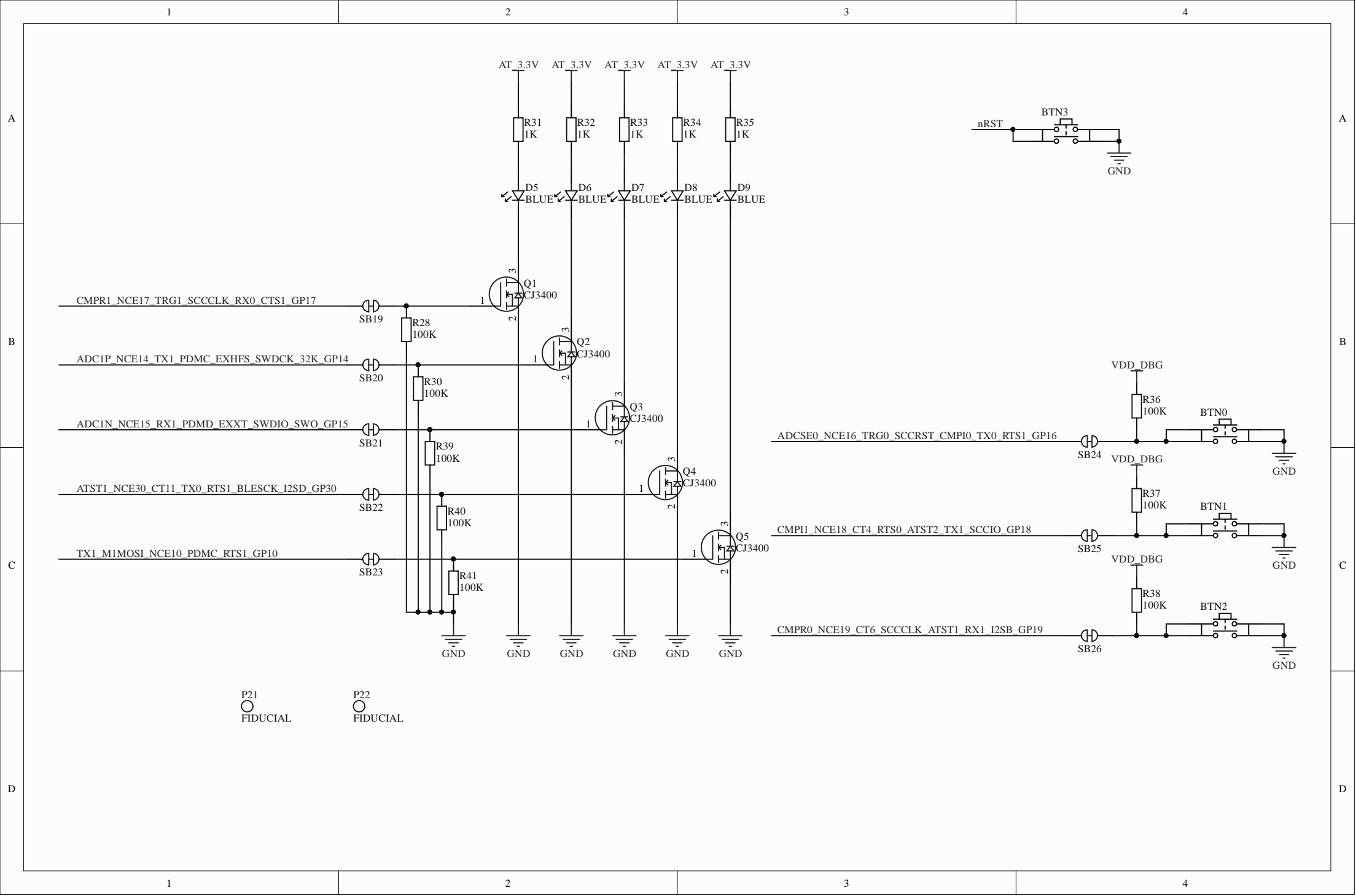
C

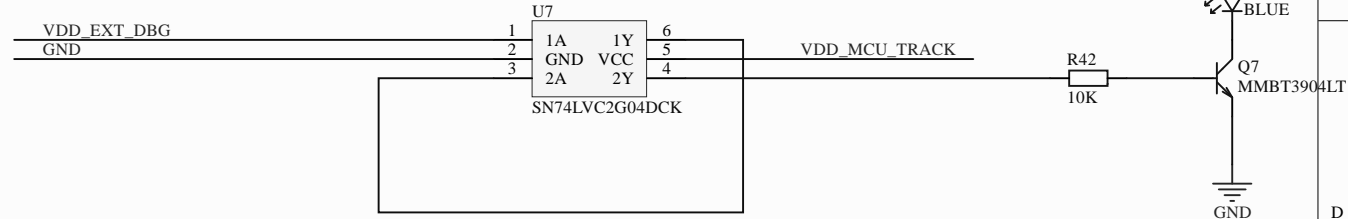
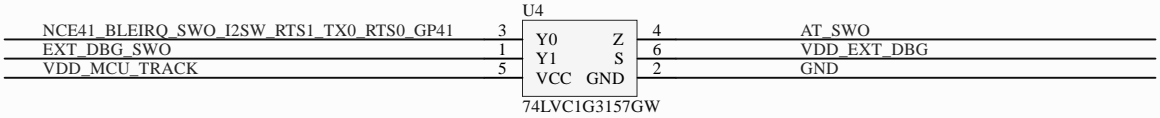
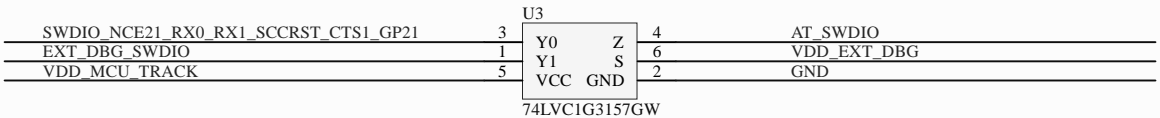
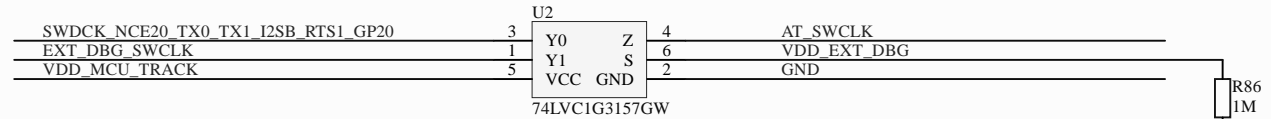
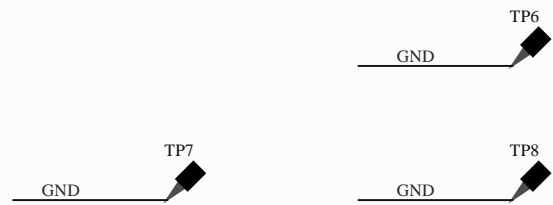
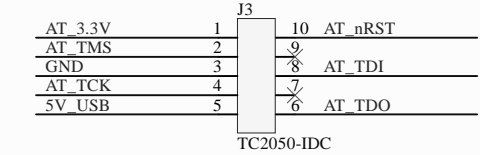
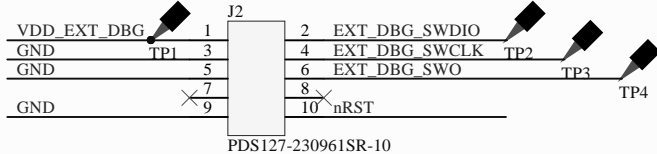
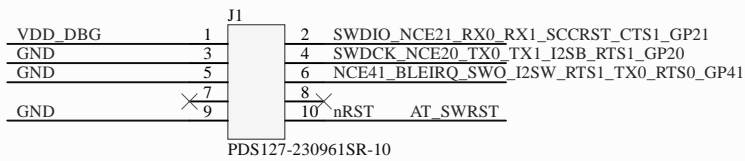
C

D

D

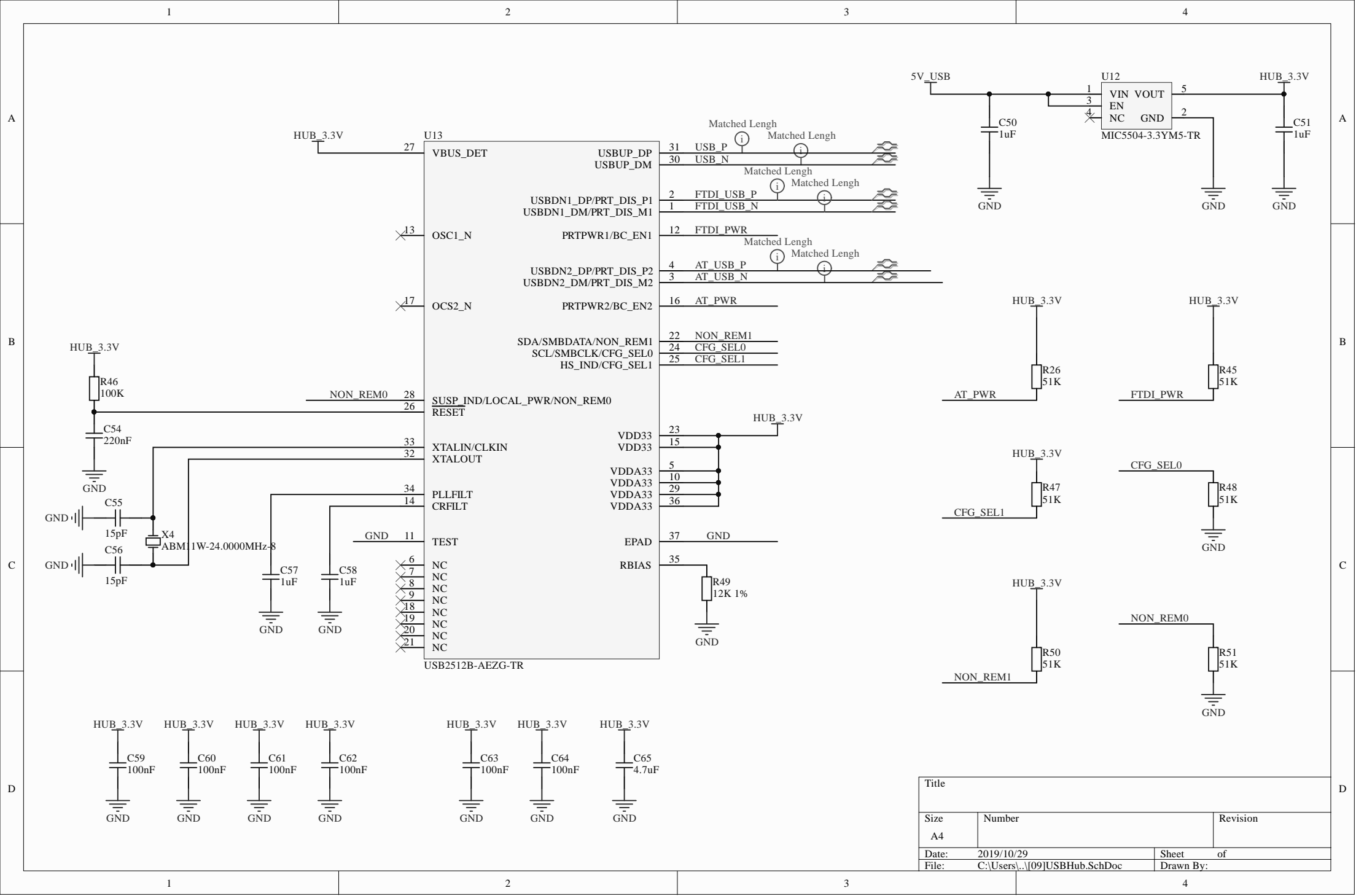




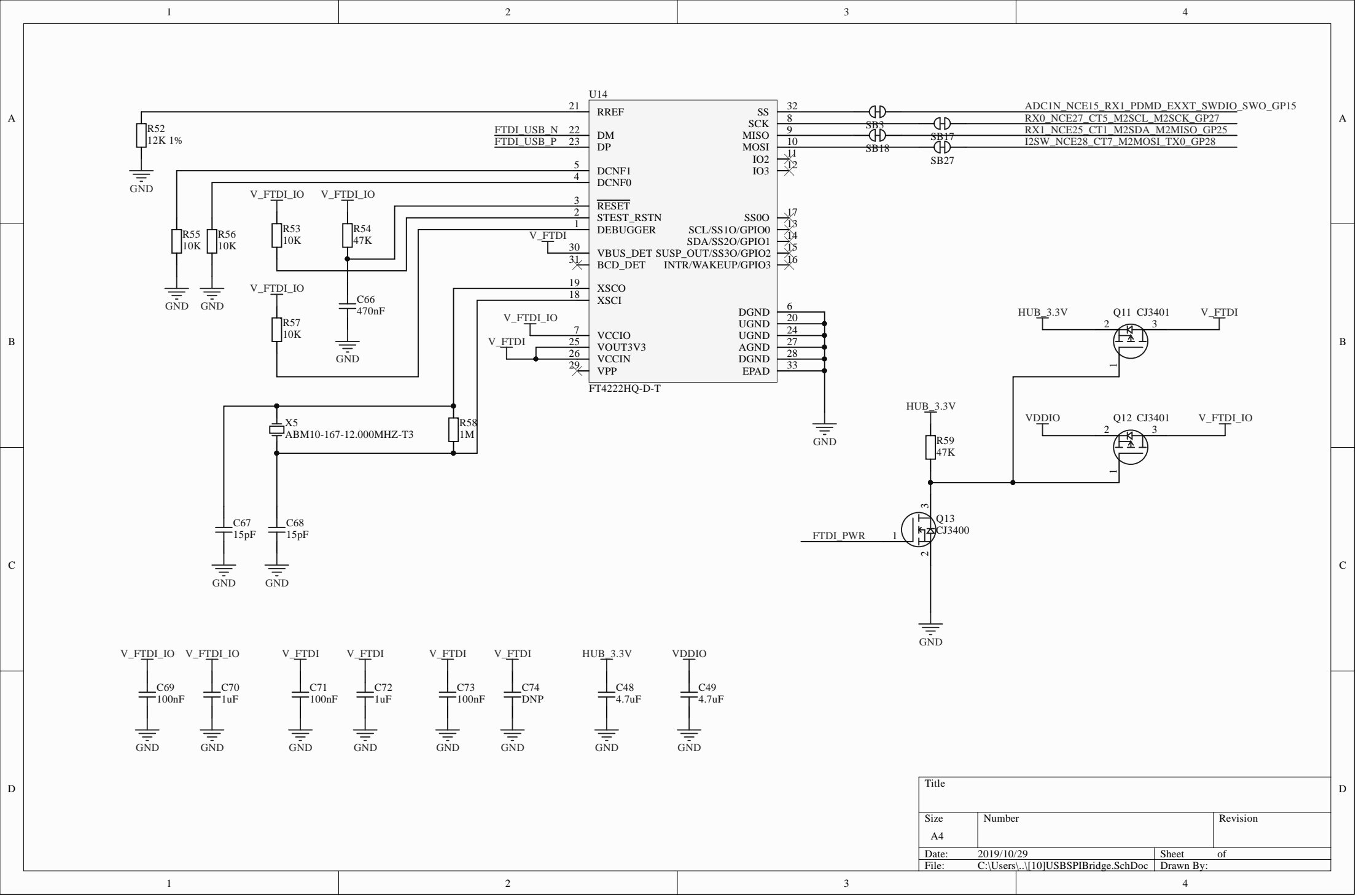


AT_3.3V





Title		
Size	Number	Revision
A4		
Date:	2019/10/29	Sheet of
File:	C:\Users\...\[09]USBHub.SchDoc	Drawn By:



Title		
Size	Number	Revision
A4		
Date:	2019/10/29	Sheet of
File:	C:\Users\...\[10]USBSPIBridge.SchDoc	Drawn By: