

## DATASHEET

# Apollo4 Plus SoC

Ultra-low Power Apollo SoC Family

Doc. ID: DS-A4P-1p3p0

Doc. Revision: 1.3.0, April 2024



## Features

### Ultra-low supply current:

- 4 µA/MHz active mode current
- Low-power sleep and deep sleep modes with selectable levels of RAM/cache retention

### High-performance Arm Cortex-M4 Processor with FPU:

- 96/192 MHz operating mode
- Floating Point Unit, Memory Protection Unit
- Secure boot

### Ultra-low-power memory:

- Up to 2 MB of non-volatile memory (NVM) for code/data
- Up to 2.75 MB of low power RAM for code/data

### Ultra-low-power interface for off-chip sensors:

- 8-bit, 10-bit and 12-bit ADC modes
- 11 selectable input channels
- Temperature sensor with ±2.5°C accuracy

### Ultra-low-power flexible serial peripherals:

- 2x QSPI / OSPI; 1x QSPI / OSPI / HexSPI
- 8x I<sup>2</sup>C / SPI masters for peripheral communication
- I<sup>2</sup>C/SPI slave for host communications
- 4x UART modules with flow control
- USB 2.0 HS/FS device controller
- SDIO (SD3.0) / eMMC (v4.51)

### Display:

- MIPI DSI 1.2 with 2 data lanes up to 500 Mbps
- Up to 500 x 500 resolution
- 4 layers with full alpha blending
- Frame buffer decompression

### Graphics:

- 2D/2.5D graphics accelerator
- Texture
- Anti-aliasing / dithering / vector graphics processing

### Audio Processing:

- Stereo low-power analog microphones
- 4x stereo digital microphones
- 2x full duplex I<sup>2</sup>S ports with ASRC

### Rich set of clock sources:

- 32 MHz and 32.768 kHz crystal oscillators
- 900 Hz low-frequency RC oscillator
- 2x high-frequency RC oscillators - 192/384 MHz

### Power Management:

- Operating Voltage: 1.71 - 2.2 V
- Temp Range: -20°C to 60°C
- SIMO buck
- Multiple I/O voltages supported

## Applications

- Smart watches/bands
- Consumer electronics
- Home automation
- Consumer medical devices
- Activity and fitness monitors
- Motion and tracking devices
- Alarms and security system

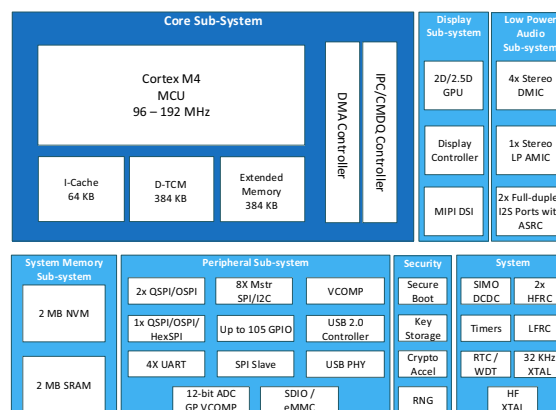
## Package

- 5.0 mm x 5.0 mm, 13 x 12 BGA (146 pins / 105 GPIO)

## Description

Ambiq®, the leader in low-power System-on-Chip (SoC) solutions, has once again raised the bar with the Apollo4 Plus SoC. With the lowest dynamic and sleep mode power on the market, the Apollo4 Plus allows designers of next generation wearables and smart devices to take their innovative products to the next level.

The Apollo4 Plus is the 4th generation system processor solution built upon Ambiq's proprietary Subthreshold Power-Optimized Technology (SPOT®) platform. The Apollo4's complete hardware and software solution enables the battery-powered endpoint devices of tomorrow to achieve a higher level of intelligence without sacrificing battery life. The Apollo4 Plus is built on the 32-bit Arm® Cortex®-M4 core with Floating Point Unit (FPU). The is available now in BGA packaging. With up to 2 MB of NVM and 2.75 MB of SRAM, the Apollo4 Plus has more than enough compute and storage to handle complex algorithms and neural networks while displaying vibrant, crystal clear, and smooth graphics. If additional memory is required, an external memory is supported through Ambiq's multi-bit SPI and eMMC interfaces. The Apollo4 family is purpose-built to serve as both an application processor and a co-processor for battery-powered endpoint devices.



## Table of Contents

|  |           |
|--|-----------|
| <b>1. Apollo4 Plus SoC Package Pins</b>      | <b>12</b> |
| 1.1 Pin Configuration                        | 12        |
| 1.2 Pin Connections                          | 13        |
| <b>2. SoC Product Introduction</b>           | <b>51</b> |
| 2.1 Features                                 | 52        |
| 2.2 Functional Overview                      | 54        |
| <b>3. MCU Core</b>                           | <b>56</b> |
| 3.1 Functional Overview                      | 56        |
| 3.2 CPU Subsystem                            | 58        |
| 3.3 Interrupts                               | 59        |
| 3.4 Memory Map                               | 60        |
| 3.5 Memory Protection Unit (MPU)             | 61        |
| 3.6 System Buses                             | 62        |
| 3.7 Power Management                         | 63        |
| 3.7.1 Cortex-M4 Power Modes - Overview       | 63        |
| 3.7.2 CPU Power Management                   | 64        |
| 3.8 Debug Interfaces                         | 68        |
| 3.8.1 Embedded Trace Macrocell (ETM)         | 68        |
| 3.8.2 Instrumentation Trace Macrocell (ITM)  | 68        |
| 3.8.3 Trace Port Interface Unit (TPIU)       | 68        |
| 3.8.4 Faulting Address Trapping Hardware     | 68        |
| <b>4. Memory Subsystem</b>                   | <b>69</b> |
| 4.1 Functional Overview                      | 70        |
| 4.2 Memory Controller                        | 71        |
| 4.2.1 DAXI                                   | 73        |
| 4.2.2 NVM Cache                              | 79        |
| 4.3 Wait States for Accesses to Memory Types | 81        |
| 4.4 One-Time Programmable (OTP) Memory       | 85        |
| <b>5. Reset Generator (RSTGEN)</b>           | <b>86</b> |
| 5.1 Functional Overview                      | 86        |
| 5.2 External Reset Pin                       | 86        |
| 5.3 Power-on Event                           | 87        |
| 5.4 Brown-out Events                         | 87        |
| 5.5 Software Reset                           | 88        |
| 5.6 Watchdog Reset                           | 88        |
| <b>6. Clock Generator (CLKGEN)</b>           | <b>89</b> |
| 6.1 Features                                 | 89        |
| 6.2 Functional Overview                      | 90        |
| 6.3 Low Frequency RC Oscillator (LFRC)       | 91        |
| 6.4 High Precision XT Oscillator (XT)        | 91        |
| 6.5 High Frequency RC Oscillator (HFRC)      | 91        |
| <b>7. Real Time Clock (RTC)</b>              | <b>92</b> |
| 7.1 Functional Overview                      | 92        |
| 7.2 Additional Information                   | 92        |
| <b>8. Security</b>                           | <b>93</b> |
| 8.1 Functional Overview                      | 93        |
| 8.2 Secure Boot                              | 94        |
| 8.3 Secure OTA                               | 95        |

|  |            |
|--|------------|
| 8.4 Secure Key Storage .....                                       | 95         |
| 8.5 External Flash In-line Encrypt/Decrypt .....                   | 96         |
| 8.6 Secure Life Cycle States .....                                 | 96         |
| 8.7 Crypto Subsystem .....   | 97         |
| <b>9. Counter/Timer Module (TIMER) .....</b>                       | <b>99</b>  |
| 9.1 Functional Overview .....                                      | 99         |
| 9.2 Additional Information .....                                   | 100        |
| <b>10. System Timer (STIMER) .....</b>                             | <b>101</b> |
| 10.1 Functional Overview .....                                     | 101        |
| 10.2 Additional Information .....                                  | 102        |
| <b>11. Watchdog Timer (WDT) .....</b>                              | <b>103</b> |
| 11.1 Functional Overview .....                                     | 103        |
| 11.2 Additional Information .....                                  | 103        |
| <b>12. General Purpose Input/Output (GPIO) .....</b>               | <b>104</b> |
| 12.1 Functional Overview .....                                     | 104        |
| 12.2 Pad Configuration Functions .....                             | 105        |
| 12.3 Fast GPIO (FPIO) .....  | 110        |
| 12.4 Additional Information .....                                  | 110        |
| <b>13. General Purpose ADC and Temperature Sensor Module .....</b> | <b>111</b> |
| 13.1 Features .....  | 111        |
| 13.2 Functional Overview .....                                     | 112        |
| 13.3 Voltage Reference Source .....                                | 112        |
| 13.4 Voltage Divider and Switchable Battery Load .....             | 113        |
| 13.5 Additional Information .....                                  | 113        |
| <b>14. Multi-bit Serial Peripheral Interface (MSPI) .....</b>      | <b>114</b> |
| 14.1 Features .....  | 114        |
| 14.2 Functional Overview .....                                     | 114        |
| 14.3 MSPI Transfers .....  | 115        |
| 14.4 Pad Configuration and Enables .....                           | 117        |
| 14.5 Additional Information .....                                  | 120        |
| <b>15. I2C/SPI Master (IOM) .....</b>                              | <b>121</b> |
| 15.1 Features .....  | 121        |
| 15.1.1 Features common to all submodules .....                     | 121        |
| 15.1.2 I2C Master features .....                                   | 122        |
| 15.1.3 SPI Master features .....                                   | 122        |
| 15.2 Functional Overview .....                                     | 122        |
| 15.3 Power Control .....   | 123        |
| 15.4 Clocking and Resets .....                                     | 123        |
| 15.5 I2C Clock Generation .....                                    | 125        |
| 15.5.1 SPI Clock Generation .....                                  | 126        |
| 15.6 FIFO .....  | 126        |
| 15.7 Data Alignment .....  | 126        |
| 15.7.1 Direct Mode Data Transfers .....                            | 126        |
| 15.7.2 DMA Data transfers .....                                    | 128        |
| 15.8 Transaction Initiation .....                                  | 128        |
| 15.9 Command Queue .....   | 129        |
| 15.9.1 CQ Programming Notes .....                                  | 132        |
| 15.10 Additional Information .....                                 | 132        |
| <b>16. I2C/SPI Slave (IOS) .....</b>                               | <b>134</b> |

|   |            |
|---|------------|
| 16.1 Functional Overview .....                                      | 134        |
| 16.2 Additional Information .....                                   | 135        |
| <b>17. Universal Asynchronous Receiver/Transmitter (UART) .....</b> | <b>136</b> |
| 17.1 Features .....   | 136        |
| 17.2 Functional Overview .....                                      | 136        |
| 17.3 Power Control .....  | 137        |
| 17.4 Additional Information .....                                   | 137        |
| <b>18. Universal Serial Bus (USB) .....</b>                         | <b>138</b> |
| 18.1 Features .....   | 138        |
| 18.2 Functional Overview .....                                      | 139        |
| 18.3 Hardware Design Guidelines .....                               | 139        |
| 18.3.1 Battery Charger Detection .....                              | 139        |
| 18.3.2 Interface Timing .....                                       | 142        |
| 18.3.3 System Power Sequencing for USB and DSI PHYs .....           | 142        |
| 18.3.4 Suspend State Power Consumption .....                        | 145        |
| 18.3.5 USB Data Line Filtering .....                                | 145        |
| 18.3.6 Charger Detection and USB Enumeration Requirements .....     | 145        |
| 18.3.7 LDO for USB PHY Power .....                                  | 145        |
| 18.3.8 Unused Interface Terminations .....                          | 145        |
| 18.4 Additional Information .....                                   | 146        |
| <b>19. Secure Digital Input Output (SDIO) .....</b>                 | <b>147</b> |
| 19.1 Features .....   | 147        |
| 19.2 Functional Overview .....                                      | 147        |
| 19.3 Additional Information .....                                   | 148        |
| <b>20. Display Controller (DC) .....</b>                            | <b>149</b> |
| 20.1 Features .....   | 149        |
| 20.2 Functional Overview .....                                      | 149        |
| 20.2.1 Display Interfaces .....                                     | 150        |
| 20.2.2 Configuration Options .....                                  | 151        |
| 20.3 Architecture .....   | 151        |
| 20.3.1 Top Level Description .....                                  | 151        |
| 20.3.2 Blending Modes .....   | 151        |
| 20.3.3 Dithering .....  | 151        |
| 20.4 Additional Information .....                                   | 151        |
| <b>21. Graphics Processing Unit (GPU) .....</b>                     | <b>153</b> |
| 21.1 Features .....   | 153        |
| 21.2 Functional Overview .....                                      | 154        |
| 21.3 Architecture .....   | 154        |
| 21.3.1 I/O Interfaces .....   | 154        |
| 21.3.2 Graphics Pipeline .....                                      | 155        |
| 21.3.3 Frame buffer Compression .....                               | 158        |
| 21.3.4 Color Modes .....  | 159        |
| 21.4 Additional Information .....                                   | 166        |
| <b>22. Display Serial Interface (DSI) .....</b>                     | <b>167</b> |
| 22.1 Features .....   | 167        |
| 22.2 Functional Overview .....                                      | 168        |
| 22.3 Hardware Design Guidelines .....                               | 170        |
| 22.3.1 System Power Sequencing for DSI TX Interface .....           | 170        |
| 22.4 Additional Information .....                                   | 171        |
| <b>23. PDM-to-PCM Converter Module (PDM) .....</b>                  | <b>172</b> |

|  |            |
|--|------------|
| 23.1 Features .....  | 173        |
| 23.2 Functional Overview .....   | 174        |
| 23.3 PDM-to-PCM Converter Clocking Mechanism .....                             | 174        |
| 23.3.1 Clock Gating and Data Synchronization .....                             | 176        |
| 23.4 Additional Information .....  | 177        |
| <b>24. Low Power Analog Audio Interface .....</b>                              | <b>178</b> |
| 24.1 Features .....  | 178        |
| 24.2 Functional Overview .....   | 179        |
| 24.2.1 Clock Source and Dividers .....   | 180        |
| 24.2.2 4 Channel Analog Mux .....  | 180        |
| 24.2.3 Voltage Reference Source .....  | 180        |
| 24.2.4 Four Automatically Managed Conversion Slots .....                       | 181        |
| 24.2.5 Sixteen Entry Result FIFO .....   | 181        |
| 24.2.6 DMA .....   | 181        |
| 24.2.7 Window Comparator .....   | 182        |
| 24.3 Interrupts .....  | 182        |
| 24.4 Microphone Biasing .....  | 182        |
| 24.5 Additional Information .....  | 183        |
| <b>25. Inter-IC Sound (I2S) .....</b>  | <b>184</b> |
| 25.1 Features .....  | 184        |
| 25.2 Functional Overview .....   | 185        |
| 25.3 Additional Information .....  | 186        |
| <b>26. Voltage Comparator (VCOMP) .....</b>                                    | <b>187</b> |
| 26.1 Functional Overview .....   | 187        |
| <b>27. Voltage Regulator Module .....</b>                                      | <b>189</b> |
| 27.1 Functional Overview .....   | 190        |
| 27.2 SIMO Buck .....   | 190        |
| <b>28. Package Mechanical Information .....</b>                                | <b>191</b> |
| 28.1 BGA Package .....   | 191        |
| 28.2 Reflow Profile .....  | 192        |
| <b>29. Electrical Characteristics .....</b>                                    | <b>193</b> |
| 29.1 Absolute Maximum Ratings .....  | 194        |
| 29.2 Recommended Operating Conditions .....                                    | 195        |
| 29.2.1 Voltage Supplies .....  | 195        |
| 29.2.2 VDDAUDA Voltage Supply Requirements .....                               | 196        |
| 29.2.3 Power Supply Sequencing .....   | 197        |
| 29.2.4 Recommended External Components for the Buck Converters .....           | 198        |
| 29.2.5 Recommended External Components for External Voltage Supplies .....     | 199        |
| 29.2.6 Recommended External Components for Other Supplies and References ..... | 200        |
| 29.3 Power Mode Transition Times .....   | 201        |
| 29.4 Current Consumption .....   | 202        |
| 29.5 Non-volatile Memory (NVM) .....   | 203        |
| 29.6 Power-On RESET (POR) and Brown-Out Detector (BOD) .....                   | 204        |
| 29.7 General Purpose Input/Output (GPIO) .....                                 | 205        |
| 29.8 Clocks/Oscillators .....  | 207        |
| 29.9 Real Time Clock (RTC) .....   | 209        |
| 29.10 STIMER .....   | 210        |
| 29.11 Watchdog Timer (WDT) .....   | 211        |
| 29.12 Voltage Comparator (VCOMP) .....   | 212        |
| 29.13 General Purpose Analog-to-Digital Converter (ADC) .....                  | 213        |

---

|  |            |
|--|------------|
| 29.14 Display Controller (DC) .....                              | 215        |
| 29.15 Multi-bit Serial Peripheral Interface (MSPI) .....         | 216        |
| 29.15.1 SDR with non-DQS Mode with Octal Data Width .....        | 216        |
| 29.15.2 DDR with DQS Mode with Octal Data Width .....            | 218        |
| 29.16 I2C/SPI Master (IOM) .....                                 | 220        |
| 29.16.1 Serial Peripheral Interface (SPI) Master Interface ..... | 220        |
| 29.17 I2C/SPI Slave (IOS) .....                                  | 222        |
| 29.17.1 Serial Peripheral Interface (SPI) Slave Interface .....  | 222        |
| 29.18 Universal Asynchronous Receiver/Transmitter (UART) .....   | 223        |
| 29.19 Universal Serial Bus (USB) .....                           | 224        |
| 29.19.1 USB Power Gating and Leakage Current .....               | 224        |
| 29.19.2 USB PHY Power and Interface Timing Requirements .....    | 226        |
| 29.20 Secure Digital Input Output (SDIO) .....                   | 227        |
| 29.21 Audio Analog-to-Digital Converter (AUDADC) .....           | 228        |
| 29.21.1 AUDADC Audio Specifications .....                        | 228        |
| 29.21.2 AUDADC Mic Bias Specifications .....                     | 230        |
| 29.21.3 ASRC Performance .....                                   | 230        |
| <b>30. Ordering Information .....</b>                            | <b>235</b> |
| <b>31. Document Revision History .....</b>                       | <b>236</b> |

## List of Figures

|   |     |
|---|-----|
| Figure 1. Apollo4 Plus SoC BGA Pin Configuration Diagram - Top View ..... | 12  |
| Figure 2. Apollo4 Plus SoC Block Diagram .....                            | 51  |
| Figure 3. Apollo4 Plus SoC Core Block Diagram.....                        | 56  |
| Figure 4. Apollo4 Plus SoC Peripherals, Memory and Buses.....             | 71  |
| Figure 5. Aging Counter Operation .....                                   | 76  |
| Figure 6. Flush Spreading.....  | 77  |
| Figure 7. Block Diagram for Apollo4 Plus SoC NVM Cache.....               | 79  |
| Figure 8. Apollo4 Plus SoC Bus Architecture Block Diagram .....           | 80  |
| Figure 9. Apollo4 Plus SoC System Diagram .....                           | 82  |
| Figure 10. Block diagram for the Reset Generator Module .....             | 86  |
| Figure 11. Block diagram of circuitry for Reset pin .....                 | 87  |
| Figure 12. Block diagram for the Clock Generator.....                     | 89  |
| Figure 13. Block diagram for the Real Time Clock Module.....              | 92  |
| Figure 14. Secure Boot Flow .....   | 94  |
| Figure 15. Secure OTA Flow .....  | 95  |
| Figure 16. Crypto Subsystem .....   | 97  |
| Figure 17. Block Diagram for One Counter/Timer .....                      | 99  |
| Figure 18. Block Diagram for the System Timer .....                       | 101 |
| Figure 19. Block Diagram for the Watchdog Timer Module .....              | 103 |
| Figure 20. Block diagram for the General Purpose I/O (GPIO) Module.....   | 104 |
| Figure 21. Block Diagram for ADC and Temperature Sensor.....              | 111 |
| Figure 22. Switchable Battery Load .....                                  | 113 |
| Figure 23. Block Diagram for the MSPI Master Module.....                  | 114 |
| Figure 24. Block Diagram for the I2C/SPI Master Module .....              | 121 |
| Figure 25. Clocking Structure for IOM Module.....                         | 124 |
| Figure 26. IO_CLK Generation .....  | 124 |
| Figure 27. Direct Mode 5-byte Write Transfer.....                         | 127 |
| Figure 28. Direct Mode 5-byte Read.....                                   | 127 |
| Figure 29. Register Write Data Fetches.....                               | 129 |
| Figure 30. IOM Pause Example.....   | 130 |
| Figure 31. CQ Pause Bit Fetching .....                                    | 131 |
| Figure 32. Block diagram for the I2C/SPI Slave Module.....                | 134 |
| Figure 33. Block Diagram for the UART Module.....                         | 136 |
| Figure 34. USB Block diagram.....   | 138 |
| Figure 35. Charger Detection in USB Connection Flow.....                  | 139 |
| Figure 36. Charging Detection Algorithm.....                              | 140 |
| Figure 37. Interrupt-driven Weak Battery Algorithm.....                   | 140 |
| Figure 38. Interrupt-driven Good Battery Algorithm .....                  | 141 |
| Figure 39. Battery Charging Sequence.....                                 | 142 |
| Figure 40. SDIO Block Diagram.....  | 147 |
| Figure 41. Apollo4 Plus SoC Display Controller Block Diagram .....        | 149 |
| Figure 42. GPU Block Diagram.....   | 153 |
| Figure 43. Blending Modes .....   | 158 |
| Figure 44. TSC™4 /TSC™6 Framebuffer Compression Module.....               | 159 |
| Figure 45. DSI Controller Block Diagram.....                              | 167 |
| Figure 46. Display Serial Interface Bus with DSI Devices .....            | 168 |



|  |     |
|--|-----|
| Figure 47. Layers in the DSI Data Transfer Model .....                               | 169 |
| Figure 48. PDM Instances within Audio Subsystem (4 PDMs Shown).....                  | 172 |
| Figure 49. PDM Block Diagram .....   | 173 |
| Figure 50. Clock Path and Data Synchronization Diagram.....                          | 177 |
| Figure 51. PDM Converter Core Local Clock Gating .....                               | 177 |
| Figure 52. Low Power Analog Audio Block Diagram .....                                | 178 |
| Figure 53. Mic Bias Trim Graph .....   | 183 |
| Figure 54. I2S Block Diagram .....   | 184 |
| Figure 55. Block diagram for the Voltage Comparator Module.....                      | 187 |
| Figure 56. Block Diagram for Voltage Supplies and Regulation on Apollo4 Family ..... | 189 |
| Figure 57. Package Drawing for Apollo4 Plus SoC .....                                | 191 |
| Figure 58. Reflow Profile.....   | 192 |
| Figure 59. External Components for SIMO Buck.....                                    | 198 |
| Figure 60. Display Controller Timing Diagram - SDR Mode .....                        | 215 |
| Figure 61. MSPI Timing Diagram - SDR with non-DQS Mode .....                         | 217 |
| Figure 62. MSPI Timing Diagram - DDR with DQS Mode .....                             | 219 |
| Figure 63. SPI Master Mode, Phase = 0.....   | 221 |
| Figure 64. SPI Master Mode, Phase = 1.....   | 221 |
| Figure 65. ASRC Performance Analysis - Test Case 1 .....                             | 231 |
| Figure 66. ASRC Performance Analysis - Test Case 2 .....                             | 231 |
| Figure 67. ASRC Performance Analysis - Test Case 3 .....                             | 232 |
| Figure 68. ASRC Performance Analysis - Test Case 4 .....                             | 232 |
| Figure 69. THD+N vs Input Frequency Using FSin = 48 kHz and FSout = 48.1 kHz .....   | 233 |

## List of Tables

|   |     |
|---|-----|
| Table 1: Pin List and Function Table .....  | 13  |
| Table 2: Arm Cortex-M4 Memory Map .....   | 60  |
| Table 3: Wait States for Accesses to/from the CPU and Memory/Storage Elements ..... | 83  |
| Table 4: I/O Pin Voltage Source .....   | 105 |
| Table 5: Apollo4 Plus SoC Pin Mapping (Pg 1) .....                                  | 107 |
| Table 6: Apollo4 Plus SoC Pin Mapping (Pg 2) .....                                  | 108 |
| Table 7: Pad Function Color Code .....  | 109 |
| Table 8: Special Pad Types .....  | 110 |
| Table 9: MSPI0 Pin Muxing (Serial, Dual, Quad, Octal, Hex) .....                    | 117 |
| Table 10: MSPI1 Pin Muxing (Single, Dual, Quad, Octal) .....                        | 118 |
| Table 11: MSPI2 Pin Muxing (Serial, Dual, Quad, Octal) .....                        | 118 |
| Table 12: Required Settings for Typical Configurations .....                        | 120 |
| Table 13: Settings for I2C Clock Speeds .....                                       | 125 |
| Table 14: Reset Bits in the USBPHYRESET Register .....                              | 144 |
| Table 15: Blend Factors .....   | 157 |
| Table 16: PDMA_CKO and OSR Settings for Different Sampling Frequencies .....        | 174 |
| Table 17: One SLOT Configuration Register .....                                     | 181 |
| Table 18: FIFO Register .....   | 181 |
| Table 19: Reflow Condition (260 °C) for Pb-free Package .....                       | 192 |
| Table 20: Absolute Maximum Ratings .....  | 194 |
| Table 21: Voltage Supplies .....  | 195 |
| Table 22: AUDADC Power Supply (VDDAUDA) .....                                       | 196 |
| Table 23: VDDAUDA Phase Noise .....   | 196 |
| Table 24: PSRR Requirements for AUDADC + PGA to Achieve 80dB SNR .....              | 196 |
| Table 25: Power Supply Sequencing .....   | 197 |
| Table 26: SIMO Buck Converter .....   | 198 |
| Table 27: Recommended Bypass Capacitors for External Supplies .....                 | 199 |
| Table 28: Power Mode Transitions .....  | 201 |
| Table 29: Current Consumption in Active Mode and Sleep Modes .....                  | 202 |
| Table 30: NVM .....   | 203 |
| Table 31: Power-On Reset (POR) and Brown-Out Detector (BOD) .....                   | 204 |
| Table 32: General Purpose Input/Output (GPIO) .....                                 | 205 |
| Table 33: Primary Internal Clocks .....   | 207 |
| Table 34: Low-frequency Crystal .....   | 207 |
| Table 35: High-speed Crystal Oscillator .....                                       | 208 |
| Table 36: High-speed External Oscillator .....                                      | 208 |
| Table 37: Real Time Clock (RTC) .....   | 209 |
| Table 38: System Timer (STIMER) .....   | 210 |
| Table 39: Watchdog Timer (WDT) .....  | 211 |
| Table 40: Voltage Comparator (VCOMP) .....  | 212 |
| Table 41: General Purpose Analog to Digital Converter (ADC) .....                   | 213 |
| Table 42: Display Controller Serial Peripheral Interface (SPI) Interface .....      | 215 |
| Table 43: MSPI Timing (SDR with Non-DQS Mode) .....                                 | 216 |
| Table 44: MSPI Timing (DDR with DQS Mode) .....                                     | 218 |
| Table 45: Serial Peripheral Interface (SPI) Master Interface .....                  | 220 |
| Table 46: Serial Peripheral Interface (SPI) Slave Interface .....                   | 222 |
| Table 47: Universal Asynchronous Receiver/Transmitter (UART) .....                  | 223 |
| Table 48: USB Power Gating .....  | 224 |

---

|   |     |
|---|-----|
| Table 49: Leakage Current at Different External Supply Voltages .....       | 225 |
| Table 50: USB PHY Power Supply .....  | 226 |
| Table 51: Secure Digital Input Output (SDIO) .....                          | 227 |
| Table 52: AUDADC Audio Specifications .....                                 | 228 |
| Table 53: AUDADC Mic Bias Specifications .....                              | 230 |
| Table 54: ASRC Test Cases .....   | 230 |
| Table 55: THD+N for Some Conversion Ratios Using a 1 kHz Input Signal ..... | 233 |
| Table 56: Ordering Information .....  | 235 |
| Table 57: Document Revision List .....                                      | 236 |

# 1. Apollo4 Plus SoC Package Pins

## 1.1 Pin Configuration

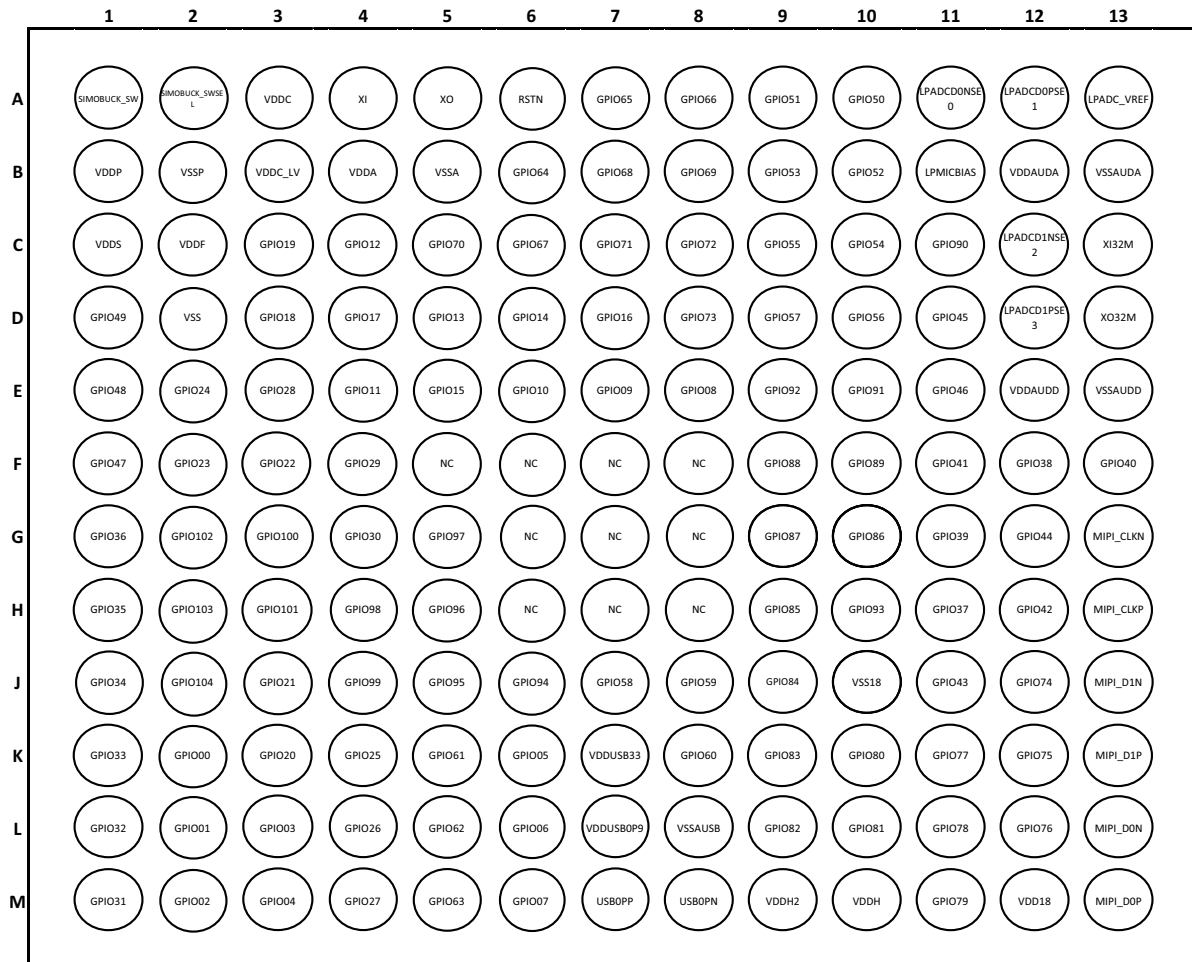


Figure 1. Apollo4 Plus SoC BGA Pin Configuration Diagram - Top View

## 1.2 Pin Connections

The following table lists the external pins of the Apollo4 Plus SoC and their available functions.

### NOTE

Use of the DPI-2 interface, represented in the following table by pad functions DISP\_D0 - DISP\_D23, DISP\_VS, DISP\_HS, DISP\_DE, DISP\_PCLK, DISP\_SD and DISP\_CM, is not recommended or supported.

**Table 1: Pin List and Function Table**

| BGA PIN | GPIO Pad Number | Function Select Number | Pad Function Name | Description  | Pin Type |
|---------|-----------------|------------------------|-------------------|--|----------|
| B5      | -               | -                      | VSSA              | Analog Ground  | Ground   |
| B2      | -               | -                      | VSSP              | Ground Connection for buck regs  | Ground   |
| A13     | -               | -                      | LPADC_VREF        | LP ADC Reference Decap   | Analog   |
| A11     | -               | -                      | LPADCD0NSE0       | LP Analog to Digital Converter SE0/DiffN IN0   | Input    |
| A12     | -               | -                      | LPADCD0PSE1       | LP Analog to Digital Converter SE1/DiffP IN0   | Input    |
| C12     | -               | -                      | LPADCD1NSE2       | LP Analog to Digital Converter SE2/DiffN IN1   | Input    |
| D12     | -               | -                      | LPADCD1PSE3       | LP Analog to Digital Converter SE3/DiffP IN1   | Input    |
| B11     | -               | -                      | LPMICBIAS         | LP Microphone Bias   | Output   |
| G13     | -               | -                      | MIPI_CLKN         | MIPI DPHY Clock Lane N   | I/O      |
| H13     | -               | -                      | MIPI_CLKP         | MIPI DPHY Clock Lane P   | I/O      |
| L13     | -               | -                      | MIPI_D0N          | MIPI DPHY Data Lane 0N   | I/O      |
| M13     | -               | -                      | MIPI_D0P          | MIPI DPHY Data Lane 0P   | I/O      |
| J13     | -               | -                      | MIPI_D1N          | MIPI DPHY Data Lane 1N   | I/O      |
| K13     | -               | -                      | MIPI_D1P          | MIPI DPHY Data Lane 1P   | I/O      |
| A6      | -               | -                      | RSTN              | External reset input (aka nRST)  | Input    |
| A1      | -               | -                      | SIMOBUCK_SW       | SIMO Buck converter inductor switch output   | Power    |
| A2      | -               | -                      | SIMOBUCK_SWSEL    | SIMO Buck converter inductor switch input  | Power    |
| M8      | -               | -                      | USB0PN            | The differential input/output signals of the PHY that support multiple modes. Depending on mode of operation they are either signaling 3.3V or 800mV differential. | Power    |
| M7      | -               | -                      | USB0PP            | The differential input/output signals of the PHY that support multiple modes. Depending on mode of operation they are either signaling 3.3V or 800mV differential. | Power    |
| M12     | -               | -                      | VDD18             | VDD supply for MIPI PHY  | Power    |
| B4      | -               | -                      | VDDA              | Analog voltage supply  | Power    |
| B12     | -               | -                      | VDDAUDA           | Analog Audio Voltage supply  | Power    |
| E12     | -               | -                      | VDDAUDD           | Digital Audio Voltage supply   | Power    |
| A3      | -               | -                      | VDDC              | Core Buck converter VOUT   | Power    |

Table 1: Pin List and Function Table

| BGA PIN | GPIO Pad Number | Function Select Number | Pad Function Name | Description                       | Pin Type |
|---------|-----------------|------------------------|-------------------|-----------------------------------|----------|
| B3      | -               | -                      | VDDC_LV           | Core_LV Buck converter VOUT       | Power    |
| C2      | -               | -                      | VDDF              | Mem Buck converter VOUT           | Power    |
| M10     | -               | -                      | VDDH              | High voltage domain power supply  | Power    |
| M9      | -               | -                      | VDDH2             | High voltage domain2 power supply | Power    |
| B1      | -               | -                      | VDDP              | VDD supply to I/O pads (Core)     | Power    |
| C1      | -               | -                      | VDDS              | SRAM high voltage supply          | Power    |
| L7      | -               | -                      | VDDUSB0P9         | USB 0.9v analog voltage supply    | Power    |
| K7      | -               | -                      | VDDUSB33          | USB 3.3v voltage supply           | Power    |
| D2      | -               | -                      | VSS               | Digital Ground for VDDF and PADS  | Ground   |
| J10     | -               | -                      | VSS18             | MIPI PHY Analog Ground            | Ground   |
| B13     | -               | -                      | VSSAUDA           | Analog Audio Ground               | Ground   |
| E13     | -               | -                      | VSSAUDD           | Digital Audio Ground              | Ground   |
| L8      | -               | -                      | VSSAUSB           | USB PHY Analog Ground             | Ground   |
| A4      | -               | -                      | XI                | 32.768kHz crystal input           | XT       |
| C13     | -               | -                      | XI32M             | 32MHz crystal input               | XT24M    |
| A5      | -               | -                      | XO                | 32.768kHz crystal output          | XT       |
| D13     | -               | -                      | XO32M             | 32MHz crystal output              | XT24M    |

Table 1: Pin List and Function Table

| BGA PIN | GPIO Pad Number | Function Select Number | Pad Function Name | Description  | Pin Type                 |
|---------|-----------------|------------------------|-------------------|--|--------------------------|
| K2      | 0               | 0                      | SWTRACECLK        | Serial Wire Debug Trace Clock  | Output                   |
|         |                 | 1                      | SLSCL             | I <sup>2</sup> C Slave clock   | Input                    |
|         |                 | 2                      | SLSCK             | SPI Slave clock  | Input                    |
|         |                 | 3                      | GPIO00            | General purpose I/O  | I/O                      |
|         |                 | 4                      | UART0TX           | UART0 transmit output  | Output                   |
|         |                 | 5                      | UART1TX           | UART1 transmit output  | Output                   |
|         |                 | 6                      | CT0               | Timer/counter 0  | Output                   |
|         |                 | 7                      | NCE0              | IOMSTR N Chip Select 0   | Output                   |
|         |                 | 8                      | -                 | -  | -                        |
|         |                 | 9                      | VCMPO             | Output of the voltage comparator signal                              | -                        |
|         |                 | 10                     | -                 | -  | -                        |
|         |                 | 11                     | FPIO00            | Fast PIO   | -                        |
| L2      | 1               | 0                      | SWTRACE0          | Serial Wire Debug Trace Output 0                                     | Output                   |
|         |                 | 1                      | SLSDAWIR3         | I <sup>2</sup> C Slave I/O data (I <sup>2</sup> C) 3 Wire Data (SPI) | Bidirectional Open Drain |
|         |                 | 2                      | SLMOSI            | SPI Slave input data   | Input                    |
|         |                 | 3                      | GPIO01            | General purpose I/O  | I/O                      |
|         |                 | 4                      | UART2TX           | UART2 transmit output  | Output                   |
|         |                 | 5                      | UART3TX           | UART3 transmit output  | Output                   |
|         |                 | 6                      | CT1               | Timer/counter 1  | Output                   |
|         |                 | 7                      | NCE1              | IOMSTR N Chip Select 1   | Output                   |
|         |                 | 8                      | -                 | -  | -                        |
|         |                 | 9                      | VCMPO             | Output of the voltage comparator signal                              | -                        |
|         |                 | 10                     | -                 | -  | -                        |
|         |                 | 11                     | FPIO01            | Fast PIO   | -                        |
| M2      | 2               | 0                      | SWTRACE1          | Serial Wire Debug Trace Output 1                                     | Output                   |
|         |                 | 1                      | SLMISO            | SPI Slave output data  | Output                   |
|         |                 | 2                      | TRIG1             | ADC trigger input  | Input                    |
|         |                 | 3                      | GPIO02            | General purpose I/O  | I/O                      |
|         |                 | 4                      | UART0RX           | UART0 receive input  | Input                    |
|         |                 | 5                      | UART1RX           | UART1 receive input  | Input                    |
|         |                 | 6                      | CT2               | Timer/counter 2  | Output                   |
|         |                 | 7                      | NCE2              | IOMSTR N Chip Select 2   | Output                   |
|         |                 | 8                      | -                 | -  | -                        |
|         |                 | 9                      | VCMPO             | Output of the voltage comparator signal                              | -                        |
|         |                 | 10                     | -                 | -  | -                        |
|         |                 | 11                     | FPIO02            | Fast PIO   | -                        |

Table 1: Pin List and Function Table

| BGA PIN | GPIO Pad Number | Function Select Number | Pad Function Name | Description                      | Pin Type          |
|---------|-----------------|------------------------|-------------------|----------------------------------|-------------------|
| L3      | 3               | 0                      | SWTRACE2          | Serial Wire Debug Trace Output 2 | Output            |
|         |                 | 1                      | SLnCE             | SPI Slave chip enable            | Input             |
|         |                 | 2                      | SWO               | Serial Wire Debug                | Output            |
|         |                 | 3                      | GPIO03            | General purpose I/O              | I/O               |
|         |                 | 4                      | UART2RX           | UART2 receive input              | Input             |
|         |                 | 5                      | UART3RX           | UART3 receive input              | Input             |
|         |                 | 6                      | CT3               | Timer/counter 3                  | Output            |
|         |                 | 7                      | NCE3              | IOMSTR N Chip Select 3           | Output            |
|         |                 | 8                      | -                 | -                                | -                 |
|         |                 | 9                      | -                 | -                                | -                 |
|         |                 | 10                     | -                 | -                                | -                 |
|         |                 | 11                     | FPIO03            | Fast PIO                         | -                 |
| M3      | 4               | 0                      | SWTRACE3          | Serial Wire Debug Trace Output 3 | Output            |
|         |                 | 1                      | SLINT             | Configurable Slave Interrupt     | Output            |
|         |                 | 2                      | 32KHzXT           | 32kHz from analog                | Output            |
|         |                 | 3                      | GPIO04            | General purpose I/O              | I/O               |
|         |                 | 4                      | UART0RTS          | UART0 Request to Send (RTS)      | Output            |
|         |                 | 5                      | UART1RTS          | UART1 Request to Send (RTS)      | Output            |
|         |                 | 6                      | CT4               | Timer/counter 4                  | Output            |
|         |                 | 7                      | NCE4              | IOMSTR N Chip Select 4           | Output            |
|         |                 | 8                      | -                 | -                                | -                 |
|         |                 | 9                      | I2S0_SDIN         | I2S0 Data input                  | Input             |
|         |                 | 10                     | I2S1_SDIN         | I2S1 Data input                  | Input             |
|         |                 | 11                     | FPIO04            | Fast PIO                         | -                 |
| K6      | 5               | 0                      | M0SCL             | I <sup>2</sup> C Master 0 clock  | Open Drain Output |
|         |                 | 1                      | M0SCK             | SPI Master 0 clock               | Output            |
|         |                 | 2                      | I2S0_CLK          | I2S0 Bit clock                   | Input             |
|         |                 | 3                      | GPIO05            | General purpose I/O              | I/O               |
|         |                 | 4                      | UART2RTS          | UART2 Request to Send (RTS)      | Output            |
|         |                 | 5                      | UART3RTS          | UART3 Request to Send (RTS)      | Output            |
|         |                 | 6                      | CT5               | Timer/counter 5                  | Output            |
|         |                 | 7                      | NCE5              | IOMSTR N Chip Select 5           | Output            |
|         |                 | 8                      | -                 | -                                | -                 |
|         |                 | 9                      | -                 | -                                | -                 |
|         |                 | 10                     | I2S1_CLK          | I2S1 Bit clock                   | Input             |
|         |                 | 11                     | FPIO05            | Fast PIO                         | -                 |



Table 1: Pin List and Function Table

| BGA PIN | GPIO Pad Number | Function Select Number | Pad Function Name | Description   | Pin Type                 |
|---------|-----------------|------------------------|-------------------|---|--------------------------|
| L6      | 6               | 0                      | M0SDAWIR3         | I <sup>2</sup> C Master 0 I/O data (I <sup>2</sup> C) 3 Wire data (SPI) | Bidirectional Open Drain |
|         |                 | 1                      | M0MOSI            | SPI Master 0 output data  | Output                   |
|         |                 | 2                      | I2S0_DATA         | I2S0 Data   | Bidirectional            |
|         |                 | 3                      | GPIO06            | General purpose I/O   | I/O                      |
|         |                 | 4                      | UART0CTS          | UART0 Clear to Send (CTS)   | Input                    |
|         |                 | 5                      | UART1CTS          | UART1 Clear to Send (CTS) input   | Input                    |
|         |                 | 6                      | CT6               | Timer/counter 6   | Output                   |
|         |                 | 7                      | NCE6              | IOMSTR N Chip Select 6  | Output                   |
|         |                 | 8                      | -                 | -   | -                        |
|         |                 | 9                      | I2S0_SDOOUT       | I2S0 Data output  | Output                   |
|         |                 | 10                     | I2S1_SDOOUT       | I2S1 Data output  | Output                   |
|         |                 | 11                     | FPIO06            | Fast PIO  | -                        |
| M6      | 7               | 0                      | M0MISO            | SPI Master 0 input data   | Input                    |
|         |                 | 1                      | TRIG0             | ADC trigger input   | Input                    |
|         |                 | 2                      | I2S0_WS           | I2S0 L/R clock  | Input                    |
|         |                 | 3                      | GPIO07            | General purpose I/O   | I/O                      |
|         |                 | 4                      | UART2CTS          | UART2 Clear to Send (CTS) input   | Input                    |
|         |                 | 5                      | UART3CTS          | UART3 Clear to Send (CTS) input   | Input                    |
|         |                 | 6                      | CT7               | Timer/counter 7   | Output                   |
|         |                 | 7                      | NCE7              | IOMSTR N Chip Select 7  | Output                   |
|         |                 | 8                      | -                 | -   | -                        |
|         |                 | 9                      | -                 | -   | -                        |
|         |                 | 10                     | I2S1_WS           | I2S1 L/R clock  | Input                    |
|         |                 | 11                     | FPIO07            | Fast PIO  | -                        |
| E8      | 8               | 0                      | CMPRF1            | Comparator reference 1  | Input                    |
|         |                 | 1                      | TRIG1             | ADC trigger input   | Input                    |
|         |                 | 2                      | -                 | -   | -                        |
|         |                 | 3                      | GPIO08            | General purpose I/O   | I/O                      |
|         |                 | 4                      | M1SCL             | I <sup>2</sup> C Master 1 clock   | Open Drain Output        |
|         |                 | 5                      | M1SCK             | SPI Master 1 clock  | Output                   |
|         |                 | 6                      | CT8               | Timer/counter 8   | Output                   |
|         |                 | 7                      | NCE8              | IOMSTR N Chip Select 8  | Output                   |
|         |                 | 8                      | -                 | -   | -                        |
|         |                 | 9                      | -                 | -   | -                        |
|         |                 | 10                     | -                 | -   | -                        |
|         |                 | 11                     | FPIO08            | Fast PIO  | -                        |

Table 1: Pin List and Function Table

| BGA PIN | GPIO Pad Number | Function Select Number | Pad Function Name | Description   | Pin Type                 |
|---------|-----------------|------------------------|-------------------|---|--------------------------|
| E7      | 9               | 0                      | CMPRF0            | Comparator reference 0  | Input                    |
|         |                 | 1                      | TRIG2             | ADC trigger input   | Input                    |
|         |                 | 2                      | -                 | -   | -                        |
|         |                 | 3                      | GPIO09            | General purpose I/O   | I/O                      |
|         |                 | 4                      | M1SDAWIR3         | I <sup>2</sup> C Master 1 I/O data (I <sup>2</sup> C) 3 Wire data (SPI) | Bidirectional Open Drain |
|         |                 | 5                      | M1MOSI            | SPI Master 1 output data  | Output                   |
|         |                 | 6                      | CT9               | Timer/counter 9   | Output                   |
|         |                 | 7                      | NCE9              | IOMSTR N Chip Select 9  | Output                   |
|         |                 | 8                      | -                 | -   | -                        |
|         |                 | 9                      | -                 | -   | -                        |
|         |                 | 10                     | -                 | -   | -                        |
|         |                 | 11                     | FPIO09            | Fast PIO  | -                        |
| E6      | 10              | 0                      | CMPIN0            | Voltage comparator input 0  | Input                    |
|         |                 | 1                      | TRIG3             | ADC trigger input   | Input                    |
|         |                 | 2                      | -                 | -   | -                        |
|         |                 | 3                      | GPIO10            | General purpose I/O   | I/O                      |
|         |                 | 4                      | M1MISO            | SPI Master 1 input data   | Input                    |
|         |                 | 5                      | -                 | -   | -                        |
|         |                 | 6                      | CT10              | Timer/counter 10  | Output                   |
|         |                 | 7                      | NCE10             | IOMSTR N Chip Select 10   | Output                   |
|         |                 | 8                      | -                 | -   | -                        |
|         |                 | 9                      | DISP_TE           | Display TE input  | Input                    |
|         |                 | 10                     | -                 | -   | -                        |
|         |                 | 11                     | FPIO10            | Fast PIO  | -                        |
| E4      | 11              | 0                      | CMPIN1            | Voltage comparator input 1  | Input                    |
|         |                 | 1                      | TRIG0             | ADC trigger input   | Input                    |
|         |                 | 2                      | I2S0_CLK          | I2S0 Bit clock  | Input                    |
|         |                 | 3                      | GPIO11            | General purpose I/O   | I/O                      |
|         |                 | 4                      | UART2RX           | UART2 receive input   | Input                    |
|         |                 | 5                      | UART3RX           | UART3 receive input   | Input                    |
|         |                 | 6                      | CT11              | Timer/counter 11  | Output                   |
|         |                 | 7                      | NCE11             | IOMSTR N Chip Select 11   | Output                   |
|         |                 | 8                      | -                 | -   | -                        |
|         |                 | 9                      | -                 | -   | -                        |
|         |                 | 10                     | -                 | -   | -                        |
|         |                 | 11                     | FPIO11            | Fast PIO  | -                        |

Table 1: Pin List and Function Table

| BGA PIN | GPIO Pad Number | Function Select Number | Pad Function Name | Description                        | Pin Type      |
|---------|-----------------|------------------------|-------------------|------------------------------------|---------------|
| C4      | 12              | 0                      | ADCSE7            | Analog to Digital Converter SE IN7 | Input         |
|         |                 | 1                      | TRIG1             | ADC trigger input                  | Input         |
|         |                 | 2                      | I2S0_DATA         | I2S0 Data                          | Bidirectional |
|         |                 | 3                      | GPIO12            | General purpose I/O                | I/O           |
|         |                 | 4                      | UART0TX           | UART0 transmit output              | Output        |
|         |                 | 5                      | UART1TX           | UART1 transmit output              | Output        |
|         |                 | 6                      | CT12              | Timer/counter 12                   | Output        |
|         |                 | 7                      | NCE12             | IOMSTR N Chip Select 12            | Output        |
|         |                 | 8                      | -                 | -                                  | -             |
|         |                 | 9                      | CMPRF2            | Comparator reference 2             | Input         |
|         |                 | 10                     | I2S0_SDOOUT       | I2S0 Data output                   | Output        |
|         |                 | 11                     | FPIO12            | Fast PIO                           | -             |
| D5      | 13              | 0                      | ADCSE6            | Analog to Digital Converter SE IN6 | Input         |
|         |                 | 1                      | TRIG2             | ADC trigger input                  | Input         |
|         |                 | 2                      | I2S0_WS           | I2S0 L/R clock                     | Input         |
|         |                 | 3                      | GPIO13            | General purpose I/O                | I/O           |
|         |                 | 4                      | UART2TX           | UART2 transmit output              | Output        |
|         |                 | 5                      | UART3TX           | UART3 transmit output              | Output        |
|         |                 | 6                      | CT13              | Timer/counter 13                   | Output        |
|         |                 | 7                      | NCE13             | IOMSTR N Chip Select 13            | Output        |
|         |                 | 8                      | -                 | -                                  | -             |
|         |                 | 9                      | -                 | -                                  | -             |
|         |                 | 10                     | -                 | -                                  | -             |
|         |                 | 11                     | FPIO13            | Fast PIO                           | -             |
| D6      | 14              | 0                      | ADCSE5            | Analog to Digital Converter SE IN5 | Input         |
|         |                 | 1                      | TRIG3             | ADC trigger input                  | Input         |
|         |                 | 2                      | -                 | -                                  | -             |
|         |                 | 3                      | GPIO14            | General purpose I/O                | I/O           |
|         |                 | 4                      | -                 | -                                  | -             |
|         |                 | 5                      | UART1RX           | UART1 receive input                | Input         |
|         |                 | 6                      | CT14              | Timer/counter 14                   | Output        |
|         |                 | 7                      | NCE14             | IOMSTR N Chip Select 14            | Output        |
|         |                 | 8                      | -                 | -                                  | -             |
|         |                 | 9                      | -                 | -                                  | -             |
|         |                 | 10                     | I2S0_SDIN         | I2S0 Data input                    | Input         |
|         |                 | 11                     | FPIO14            | Fast PIO                           | -             |

Table 1: Pin List and Function Table

| BGA PIN | GPIO Pad Number | Function Select Number | Pad Function Name | Description                        | Pin Type      |
|---------|-----------------|------------------------|-------------------|------------------------------------|---------------|
| E5      | 15              | 0                      | ADCSE4            | Analog to Digital Converter SE IN4 | Input         |
|         |                 | 1                      | TRIG0             | ADC trigger input                  | Input         |
|         |                 | 2                      | -                 | -                                  | -             |
|         |                 | 3                      | GPIO15            | General purpose I/O                | I/O           |
|         |                 | 4                      | -                 | -                                  | -             |
|         |                 | 5                      | UART3RX           | UART3 receive input                | Input         |
|         |                 | 6                      | CT15              | Timer/counter 15                   | Output        |
|         |                 | 7                      | NCE15             | IOMSTR N Chip Select 15            | Output        |
|         |                 | 8                      | -                 | -                                  | -             |
|         |                 | 9                      | -                 | -                                  | -             |
|         |                 | 10                     | REFCLK_EXT        | External Reference Clock           | Input         |
|         |                 | 11                     | FPIO15            | Fast PIO                           | -             |
| D7      | 16              | 0                      | ADCSE3            | Analog to Digital Converter SE IN3 | Input         |
|         |                 | 1                      | TRIG1             | ADC trigger input                  | Input         |
|         |                 | 2                      | I2S1_CLK          | I2S1 Bit clock                     | Input         |
|         |                 | 3                      | GPIO16            | General purpose I/O                | I/O           |
|         |                 | 4                      | -                 | -                                  | -             |
|         |                 | 5                      | UART1RTS          | UART1 Request to Send (RTS)        | Output        |
|         |                 | 6                      | CT16              | Timer/counter 16                   | Output        |
|         |                 | 7                      | NCE16             | IOMSTR N Chip Select 16            | Output        |
|         |                 | 8                      | -                 | -                                  | -             |
|         |                 | 9                      | -                 | -                                  | -             |
|         |                 | 10                     | -                 | -                                  | -             |
|         |                 | 11                     | FPIO16            | Fast PIO                           | -             |
| D4      | 17              | 0                      | ADCSE2            | Analog to Digital Converter SE IN2 | Input         |
|         |                 | 1                      | TRIG2             | ADC trigger input                  | Input         |
|         |                 | 2                      | I2S1_DATA         | I2S1 Data                          | Bidirectional |
|         |                 | 3                      | GPIO17            | General purpose I/O                | I/O           |
|         |                 | 4                      | -                 | -                                  | -             |
|         |                 | 5                      | UART3RTS          | UART3 Request to Send (RTS)        | Output        |
|         |                 | 6                      | CT17              | Timer/counter 17                   | Output        |
|         |                 | 7                      | NCE17             | IOMSTR N Chip Select 17            | Output        |
|         |                 | 8                      | -                 | -                                  | -             |
|         |                 | 9                      | I2S1_SDOOUT       | I2S1 Data output                   | Output        |
|         |                 | 10                     | -                 | -                                  | -             |
|         |                 | 11                     | FPIO17            | Fast PIO                           | -             |

Table 1: Pin List and Function Table

| BGA PIN | GPIO Pad Number | Function Select Number | Pad Function Name | Description                        | Pin Type |
|---------|-----------------|------------------------|-------------------|------------------------------------|----------|
| D3      | 18              | 0                      | ADCSE1            | Analog to Digital Converter SE IN1 | Input    |
|         |                 | 1                      | -                 | -                                  | -        |
|         |                 | 2                      | I2S1_WS           | I2S1 L/R clock                     | Input    |
|         |                 | 3                      | GPIO18            | General purpose I/O                | I/O      |
|         |                 | 4                      | UART0CTS          | UART0 Clear to Send (CTS)          | Input    |
|         |                 | 5                      | UART1CTS          | UART1 Clear to Send (CTS) input    | Input    |
|         |                 | 6                      | CT18              | Timer/counter 18                   | Output   |
|         |                 | 7                      | NCE18             | IOMSTR N Chip Select 18            | Output   |
|         |                 | 8                      | -                 | -                                  | -        |
|         |                 | 9                      | -                 | -                                  | -        |
|         |                 | 10                     | -                 | -                                  | -        |
|         |                 | 11                     | FPIO18            | Fast PIO                           | -        |
| C3      | 19              | 0                      | ADCSE0            | Analog to Digital Converter SE IN0 | Input    |
|         |                 | 1                      | -                 | -                                  | -        |
|         |                 | 2                      | -                 | -                                  | -        |
|         |                 | 3                      | GPIO19            | General purpose I/O                | I/O      |
|         |                 | 4                      | UART2CTS          | UART2 Clear to Send (CTS) input    | Input    |
|         |                 | 5                      | UART3CTS          | UART3 Clear to Send (CTS) input    | Input    |
|         |                 | 6                      | CT19              | Timer/counter 19                   | Output   |
|         |                 | 7                      | NCE19             | IOMSTR N Chip Select 19            | Output   |
|         |                 | 8                      | -                 | -                                  | -        |
|         |                 | 9                      | I2S1_SDIN         | I2S1 Data input                    | Input    |
|         |                 | 10                     | -                 | -                                  | -        |
|         |                 | 11                     | FPIO19            | Fast PIO                           | -        |
| K3      | 20              | 0                      | SWDCK             | Software debug clock Input         | Input    |
|         |                 | 1                      | TRIG1             | ADC trigger input                  | Input    |
|         |                 | 2                      | -                 | -                                  | -        |
|         |                 | 3                      | GPIO20            | General purpose I/O                | I/O      |
|         |                 | 4                      | UART0TX           | UART0 transmit output              | Output   |
|         |                 | 5                      | UART1TX           | UART1 transmit output              | Output   |
|         |                 | 6                      | CT20              | Timer/counter 20                   | Output   |
|         |                 | 7                      | NCE20             | IOMSTR N Chip Select 20            | Output   |
|         |                 | 8                      | -                 | -                                  | -        |
|         |                 | 9                      | -                 | -                                  | -        |
|         |                 | 10                     | -                 | -                                  | -        |
|         |                 | 11                     | FPIO20            | Fast PIO                           | -        |

Table 1: Pin List and Function Table

| BGA PIN | GPIO Pad Number | Function Select Number | Pad Function Name | Description   | Pin Type                 |
|---------|-----------------|------------------------|-------------------|---|--------------------------|
| J3      | 21              | 0                      | SWDIO             | Software data I/O   | Bidirectional 3-state    |
|         |                 | 1                      | TRIG2             | ADC trigger input   | Input                    |
|         |                 | 2                      | -                 | -   | -                        |
|         |                 | 3                      | GPIO21            | General purpose I/O   | I/O                      |
|         |                 | 4                      | UART2TX           | UART2 transmit output   | Output                   |
|         |                 | 5                      | UART3TX           | UART3 transmit output   | Output                   |
|         |                 | 6                      | CT21              | Timer/counter 21  | Output                   |
|         |                 | 7                      | NCE21             | IOMSTR N Chip Select 21   | Output                   |
|         |                 | 8                      | -                 | -   | -                        |
|         |                 | 9                      | -                 | -   | -                        |
|         |                 | 10                     | -                 | -   | -                        |
|         |                 | 11                     | FPIO21            | Fast PIO  | -                        |
| F3      | 22              | 0                      | M7SCL             | I <sup>2</sup> C Master 7 Clk   | Bidirectional Open Drain |
|         |                 | 1                      | M7SCK             | SPI Master 7 Clk  | Output                   |
|         |                 | 2                      | SWO               | Serial Wire Debug   | Output                   |
|         |                 | 3                      | GPIO22            | General purpose I/O   | I/O                      |
|         |                 | 4                      | UART0RX           | UART0 receive input   | Input                    |
|         |                 | 5                      | UART1RX           | UART1 receive input   | Input                    |
|         |                 | 6                      | CT22              | Timer/counter 22  | Output                   |
|         |                 | 7                      | NCE22             | IOMSTR N Chip Select 22   | Output                   |
|         |                 | 8                      | -                 | -   | -                        |
|         |                 | 9                      | VCMP0             | Output of the voltage comparator signal                                 | -                        |
|         |                 | 10                     | -                 | -   | -                        |
|         |                 | 11                     | FPIO22            | Fast PIO  | -                        |
| F2      | 23              | 0                      | M7SDAWIR3         | I <sup>2</sup> C Master 7 I/O data (I <sup>2</sup> C) 3 Wire data (SPI) | Bidirectional Open Drain |
|         |                 | 1                      | M7MOSI            | SPI Master 7 data out   | Output                   |
|         |                 | 2                      | SWO               | Serial Wire Debug   | Output                   |
|         |                 | 3                      | GPIO23            | General purpose I/O   | I/O                      |
|         |                 | 4                      | UART2RX           | UART2 receive input   | Input                    |
|         |                 | 5                      | UART3RX           | UART3 receive input   | Input                    |
|         |                 | 6                      | CT23              | Timer/counter 23  | Output                   |
|         |                 | 7                      | NCE23             | IOMSTR N Chip Select 23   | Output                   |
|         |                 | 8                      | -                 | -   | -                        |
|         |                 | 9                      | VCMP0             | Output of the voltage comparator signal                                 | -                        |
|         |                 | 10                     | -                 | -   | -                        |
|         |                 | 11                     | FPIO23            | Fast PIO  | -                        |

Table 1: Pin List and Function Table

| BGA PIN | GPIO Pad Number | Function Select Number | Pad Function Name | Description   | Pin Type                 |
|---------|-----------------|------------------------|-------------------|---|--------------------------|
| E2      | 24              | 0                      | M7MISO            | SPI Master 7 data in  | Input                    |
|         |                 | 1                      | TRIG3             | ADC trigger input   | Input                    |
|         |                 | 2                      | SWO               | Serial Wire Debug   | Output                   |
|         |                 | 3                      | GPIO24            | General purpose I/O   | I/O                      |
|         |                 | 4                      | UART0RTS          | UART0 Request to Send (RTS)   | Output                   |
|         |                 | 5                      | UART1RTS          | UART1 Request to Send (RTS)   | Output                   |
|         |                 | 6                      | CT24              | Timer/counter 24  | Output                   |
|         |                 | 7                      | NCE24             | IOMSTR N Chip Select 24   | Output                   |
|         |                 | 8                      | -                 | -   | -                        |
|         |                 | 9                      | -                 | -   | -                        |
|         |                 | 10                     | -                 | -   | -                        |
|         |                 | 11                     | FPIO24            | Fast PIO  | -                        |
| K4      | 25              | 0                      | M2SCL             | I <sup>2</sup> C Master 2 clock   | Open Drain Output        |
|         |                 | 1                      | M2SCK             | SPI Master 2 clock  | Output                   |
|         |                 | 2                      | -                 | -   | -                        |
|         |                 | 3                      | GPIO25            | General purpose I/O   | I/O                      |
|         |                 | 4                      | -                 | -   | -                        |
|         |                 | 5                      | -                 | -   | -                        |
|         |                 | 6                      | CT25              | Timer/counter 25  | Output                   |
|         |                 | 7                      | NCE25             | IOMSTR N Chip Select 25   | Output                   |
|         |                 | 8                      | -                 | -   | -                        |
|         |                 | 9                      | -                 | -   | -                        |
|         |                 | 10                     | -                 | -   | -                        |
|         |                 | 11                     | FPIO25            | Fast PIO  | -                        |
| L4      | 26              | 0                      | M2SDAWIR3         | I <sup>2</sup> C Master 2 I/O data (I <sup>2</sup> C) 3 Wire data (SPI) | Bidirectional Open Drain |
|         |                 | 1                      | M2MOSI            | SPI Master 2 output data  | Output                   |
|         |                 | 2                      | -                 | -   | -                        |
|         |                 | 3                      | GPIO26            | General purpose I/O   | I/O                      |
|         |                 | 4                      | -                 | -   | -                        |
|         |                 | 5                      | -                 | -   | -                        |
|         |                 | 6                      | CT26              | Timer/counter 26  | Output                   |
|         |                 | 7                      | NCE26             | IOMSTR N Chip Select 26   | Output                   |
|         |                 | 8                      | -                 | -   | -                        |
|         |                 | 9                      | VCMPO             | Output of the voltage comparator signal                                 | -                        |
|         |                 | 10                     | -                 | -   | -                        |
|         |                 | 11                     | FPIO26            | Fast PIO  | -                        |

Table 1: Pin List and Function Table

| BGA PIN | GPIO Pad Number | Function Select Number | Pad Function Name | Description                             | Pin Type      |
|---------|-----------------|------------------------|-------------------|---|---------------|
| M4      | 27              | 0                      | M2MISO            | SPI Master 2 input data                 | Input         |
|         |                 | 1                      | TRIG0             | ADC trigger input                       | Input         |
|         |                 | 2                      | -                 | -                                       | -             |
|         |                 | 3                      | GPIO27            | General purpose I/O                     | I/O           |
|         |                 | 4                      | -                 | -                                       | -             |
|         |                 | 5                      | -                 | -                                       | -             |
|         |                 | 6                      | CT27              | Timer/counter 27                        | Output        |
|         |                 | 7                      | NCE27             | IOMSTR N Chip Select 27                 | Output        |
|         |                 | 8                      | -                 | -                                       | -             |
|         |                 | 9                      | I2S0_SDIN         | I2S0 Data input                         | Input         |
|         |                 | 10                     | -                 | -                                       | -             |
|         |                 | 11                     | FPIO27            | Fast PIO                                | -             |
| E3      | 28              | 0                      | SWO               | Serial Wire Debug                       | Output        |
|         |                 | 1                      | VCMP0             | Output of the voltage comparator signal | -             |
|         |                 | 2                      | I2S0_CLK          | I2S0 Bit clock                          | Input         |
|         |                 | 3                      | GPIO28            | General purpose I/O                     | I/O           |
|         |                 | 4                      | UART2CTS          | UART2 Clear to Send (CTS) input         | Input         |
|         |                 | 5                      | -                 | -                                       | -             |
|         |                 | 6                      | CT28              | Timer/counter 28                        | Output        |
|         |                 | 7                      | NCE28             | IOMSTR N Chip Select 28                 | Output        |
|         |                 | 8                      | -                 | -                                       | -             |
|         |                 | 9                      | -                 | -                                       | -             |
|         |                 | 10                     | -                 | -                                       | -             |
|         |                 | 11                     | FPIO28            | Fast PIO                                | -             |
| F4      | 29              | 0                      | TRIG0             | ADC trigger input                       | Input         |
|         |                 | 1                      | VCMP0             | Output of the voltage comparator signal | -             |
|         |                 | 2                      | I2S0_DATA         | I2S0 Data                               | Bidirectional |
|         |                 | 3                      | GPIO29            | General purpose I/O                     | I/O           |
|         |                 | 4                      | UART1CTS          | UART1 Clear to Send (CTS) input         | Input         |
|         |                 | 5                      | -                 | -                                       | -             |
|         |                 | 6                      | CT29              | Timer/counter 29                        | Output        |
|         |                 | 7                      | NCE29             | IOMSTR N Chip Select 29                 | Output        |
|         |                 | 8                      | -                 | -                                       | -             |
|         |                 | 9                      | I2S0_SDOUT        | I2S0 Data output                        | Output        |
|         |                 | 10                     | -                 | -                                       | -             |
|         |                 | 11                     | FPIO29            | Fast PIO                                | -             |



Table 1: Pin List and Function Table

| BGA PIN | GPIO Pad Number | Function Select Number | Pad Function Name | Description   | Pin Type                 |
|---------|-----------------|------------------------|-------------------|---|--------------------------|
| G4      | 30              | 0                      | TRIG1             | ADC trigger input   | Input                    |
|         |                 | 1                      | VCMP0             | Output of the voltage comparator signal                                 | -                        |
|         |                 | 2                      | I2S0_WS           | I2S0 L/R clock  | Input                    |
|         |                 | 3                      | GPIO30            | General purpose I/O   | I/O                      |
|         |                 | 4                      | UART0TX           | UART0 transmit output   | Output                   |
|         |                 | 5                      | -                 | -   | -                        |
|         |                 | 6                      | CT30              | Timer/counter 30  | Output                   |
|         |                 | 7                      | NCE30             | IOMSTR N Chip Select 30   | Output                   |
|         |                 | 8                      | -                 | -   | -                        |
|         |                 | 9                      | -                 | -   | -                        |
|         |                 | 10                     | -                 | -   | -                        |
|         |                 | 11                     | FPIO30            | Fast PIO  | -                        |
| M1      | 31              | 0                      | M3SCL             | I <sup>2</sup> C Master 3 clock   | Open Drain Output        |
|         |                 | 1                      | M3SCK             | SPI Master 3 clock  | Output                   |
|         |                 | 2                      | -                 | -   | -                        |
|         |                 | 3                      | GPIO31            | General purpose I/O   | I/O                      |
|         |                 | 4                      | UART2TX           | UART2 transmit output   | Output                   |
|         |                 | 5                      | -                 | -   | -                        |
|         |                 | 6                      | CT31              | Timer/counter 31  | Output                   |
|         |                 | 7                      | NCE31             | IOMSTR N Chip Select 31   | Output                   |
|         |                 | 8                      | -                 | -   | -                        |
|         |                 | 9                      | VCMP0             | Output of the voltage comparator signal                                 | -                        |
|         |                 | 10                     | -                 | -   | -                        |
|         |                 | 11                     | FPIO31            | Fast PIO  | -                        |
| L1      | 32              | 0                      | M3SDAWIR3         | I <sup>2</sup> C Master 3 I/O data (I <sup>2</sup> C) 3 Wire data (SPI) | Bidirectional Open Drain |
|         |                 | 1                      | M3MOSI            | SPI Master 3 output data  | Output                   |
|         |                 | 2                      | -                 | -   | -                        |
|         |                 | 3                      | GPIO32            | General purpose I/O   | I/O                      |
|         |                 | 4                      | UART0RX           | UART0 receive input   | Input                    |
|         |                 | 5                      | -                 | -   | -                        |
|         |                 | 6                      | CT32              | Timer/counter 32  | Output                   |
|         |                 | 7                      | NCE32             | IOMSTR N Chip Select 32   | Output                   |
|         |                 | 8                      | -                 | -   | -                        |
|         |                 | 9                      | -                 | -   | -                        |
|         |                 | 10                     | -                 | -   | -                        |
|         |                 | 11                     | FPIO32            | Fast PIO  | -                        |

Table 1: Pin List and Function Table

| BGA PIN | GPIO Pad Number | Function Select Number | Pad Function Name | Description   | Pin Type                 |
|---------|-----------------|------------------------|-------------------|---|--------------------------|
| K1      | 33              | 0                      | M3MISO            | SPI Master 3 input data   | Input                    |
|         |                 | 1                      | CLKOUT            | Oscillator output clock   | Output                   |
|         |                 | 2                      | -                 | -   | -                        |
|         |                 | 3                      | GPIO33            | General purpose I/O   | I/O                      |
|         |                 | 4                      | UART2RX           | UART2 receive input   | Input                    |
|         |                 | 5                      | -                 | -   | -                        |
|         |                 | 6                      | CT33              | Timer/counter 33  | Output                   |
|         |                 | 7                      | NCE33             | IOMSTR N Chip Select 33   | Output                   |
|         |                 | 8                      | -                 | -   | -                        |
|         |                 | 9                      | DISP_TE           | Display TE input  | Input                    |
|         |                 | 10                     | -                 | -   | -                        |
|         |                 | 11                     | FPIO33            | Fast PIO  | -                        |
| J1      | 34              | 0                      | M4SCL             | I <sup>2</sup> C Master 4 Clk   | Output                   |
|         |                 | 1                      | M4SCK             | SPI Master 4 Clk  | Output                   |
|         |                 | 2                      | SWO               | Serial Wire Debug   | Output                   |
|         |                 | 3                      | GPIO34            | General purpose I/O   | I/O                      |
|         |                 | 4                      | UART0TX           | UART0 transmit output   | Output                   |
|         |                 | 5                      | -                 | -   | -                        |
|         |                 | 6                      | CT34              | Timer/counter 34  | Output                   |
|         |                 | 7                      | NCE34             | IOMSTR N Chip Select 34   | Output                   |
|         |                 | 8                      | -                 | -   | -                        |
|         |                 | 9                      | VCMP0             | Output of the voltage comparator signal                                 | -                        |
|         |                 | 10                     | -                 | -   | -                        |
|         |                 | 11                     | FPIO34            | Fast PIO  | -                        |
| H1      | 35              | 0                      | M4SDAWIR3         | I <sup>2</sup> C Master 4 I/O data (I <sup>2</sup> C) 3 Wire data (SPI) | Bidirectional Open Drain |
|         |                 | 1                      | M4MOSI            | SPI Master 4 data out   | Input                    |
|         |                 | 2                      | SWO               | Serial Wire Debug   | Output                   |
|         |                 | 3                      | GPIO35            | General purpose I/O   | I/O                      |
|         |                 | 4                      | UART2TX           | UART2 transmit output   | Output                   |
|         |                 | 5                      | UART3TX           | UART3 transmit output   | Output                   |
|         |                 | 6                      | CT35              | Timer/counter 35  | Output                   |
|         |                 | 7                      | NCE35             | IOMSTR N Chip Select 35   | Output                   |
|         |                 | 8                      | -                 | -   | -                        |
|         |                 | 9                      | VCMP0             | Output of the voltage comparator signal                                 | -                        |
|         |                 | 10                     | -                 | -   | -                        |
|         |                 | 11                     | FPIO35            | Fast PIO  | -                        |

Table 1: Pin List and Function Table

| BGA PIN | GPIO Pad Number | Function Select Number | Pad Function Name  | Description                      | Pin Type |
|---------|-----------------|------------------------|--------------------|----------------------------------|----------|
| G1      | 36              | 0                      | M4MISO             | SPI Master 4 data in             | Input    |
|         |                 | 1                      | TRIG0              | ADC trigger input                | Input    |
|         |                 | 2                      | SWO                | Serial Wire Debug                | Output   |
|         |                 | 3                      | GPIO36             | General purpose I/O              | I/O      |
|         |                 | 4                      | UART0RX            | UART0 receive input              | Input    |
|         |                 | 5                      | UART1RX            | UART1 receive input              | Input    |
|         |                 | 6                      | CT36               | Timer/counter 36                 | Output   |
|         |                 | 7                      | NCE36              | IOMSTR N Chip Select 36          | Output   |
|         |                 | 8                      | -                  | -                                | -        |
|         |                 | 9                      | -                  | -                                | -        |
|         |                 | 10                     | -                  | -                                | -        |
|         |                 | 11                     | FPIO36             | Fast PIO                         | -        |
| H11     | 37              | 0                      | MSPI0_10 / MSPI1_0 | MSPI Master 0/1 Interface Signal | I/O      |
|         |                 | 1                      | TRIG1              | ADC trigger input                | Input    |
|         |                 | 2                      | 32KHzXT            | 32kHz from analog                | Output   |
|         |                 | 3                      | GPIO37             | General purpose I/O              | I/O      |
|         |                 | 4                      | UART2RX            | UART2 receive input              | Input    |
|         |                 | 5                      | DISP_D15           | Display Data 15                  | Output   |
|         |                 | 6                      | CT37               | Timer/counter 37                 | Output   |
|         |                 | 7                      | NCE37              | IOMSTR N Chip Select 37          | Output   |
|         |                 | 8                      | -                  | -                                | -        |
|         |                 | 9                      | -                  | -                                | -        |
|         |                 | 10                     | -                  | -                                | -        |
|         |                 | 11                     | FPIO37             | Fast PIO                         | -        |
| F12     | 38              | 0                      | MSPI0_11 / MSPI1_1 | MSPI Master 0/1 Interface Signal | I/O      |
|         |                 | 1                      | TRIG2              | ADC trigger input                | Input    |
|         |                 | 2                      | SWTRACECLK         | Serial Wire Debug Trace Clock    | Output   |
|         |                 | 3                      | GPIO38             | General purpose I/O              | I/O      |
|         |                 | 4                      | UART0RTS           | UART0 Request to Send (RTS)      | Output   |
|         |                 | 5                      | DISP_D16           | Display Data 16                  | Output   |
|         |                 | 6                      | CT38               | Timer/counter 38                 | Output   |
|         |                 | 7                      | NCE38              | IOMSTR N Chip Select 38          | Output   |
|         |                 | 8                      | -                  | -                                | -        |
|         |                 | 9                      | -                  | -                                | -        |
|         |                 | 10                     | -                  | -                                | -        |
|         |                 | 11                     | FPIO38             | Fast PIO                         | -        |

Table 1: Pin List and Function Table

| BGA PIN | GPIO Pad Number | Function Select Number | Pad Function Name  | Description                      | Pin Type |
|---------|-----------------|------------------------|--------------------|----------------------------------|----------|
| G11     | 39              | 0                      | MSPI0_12 / MSPI1_2 | MSPI Master 0/1 Interface Signal | I/O      |
|         |                 | 1                      | TRIG3              | ADC trigger input                | Input    |
|         |                 | 2                      | SWTRACE0           | Serial Wire Debug Trace Output 0 | Output   |
|         |                 | 3                      | GPIO39             | General purpose I/O              | I/O      |
|         |                 | 4                      | UART2RTS           | UART2 Request to Send (RTS)      | Output   |
|         |                 | 5                      | DISP_D17           | Display Data 17                  | Output   |
|         |                 | 6                      | CT39               | Timer/counter 39                 | Output   |
|         |                 | 7                      | NCE39              | IOMSTR N Chip Select 39          | Output   |
|         |                 | 8                      | -                  | -                                | -        |
|         |                 | 9                      | -                  | -                                | -        |
|         |                 | 10                     | -                  | -                                | -        |
|         |                 | 11                     | FPIO39             | Fast PIO                         | -        |
| F13     | 40              | 0                      | MSPI0_13 / MSPI1_3 | MSPI Master 0/1 Interface Signal | I/O      |
|         |                 | 1                      | TRIG1              | ADC trigger input                | Input    |
|         |                 | 2                      | SWTRACE1           | Serial Wire Debug Trace Output 1 | Output   |
|         |                 | 3                      | GPIO40             | General purpose I/O              | I/O      |
|         |                 | 4                      | UART0CTS           | UART0 Clear to Send (CTS)        | Input    |
|         |                 | 5                      | DISP_D18           | Display Data 18                  | Output   |
|         |                 | 6                      | CT40               | Timer/counter 40                 | Output   |
|         |                 | 7                      | NCE40              | IOMSTR N Chip Select 40          | Output   |
|         |                 | 8                      | -                  | -                                | -        |
|         |                 | 9                      | -                  | -                                | -        |
|         |                 | 10                     | -                  | -                                | -        |
|         |                 | 11                     | FPIO40             | Fast PIO                         | -        |
| F11     | 41              | 0                      | MSPI0_14 / MSPI1_4 | MSPI Master 0/1 Interface Signal | I/O      |
|         |                 | 1                      | TRIG0              | ADC trigger input                | Input    |
|         |                 | 2                      | SWTRACE2           | Serial Wire Debug Trace Output 2 | Output   |
|         |                 | 3                      | GPIO41             | General purpose I/O              | I/O      |
|         |                 | 4                      | UART0TX            | UART0 transmit output            | Output   |
|         |                 | 5                      | DISP_D19           | Display Data 19                  | Output   |
|         |                 | 6                      | CT41               | Timer/counter 41                 | Output   |
|         |                 | 7                      | NCE41              | IOMSTR N Chip Select 41          | Output   |
|         |                 | 8                      | -                  | -                                | -        |
|         |                 | 9                      | SWO                | Serial Wire Debug                | Output   |
|         |                 | 10                     | -                  | -                                | -        |
|         |                 | 11                     | FPIO41             | Fast PIO                         | -        |

Table 1: Pin List and Function Table

| BGA PIN | GPIO Pad Number | Function Select Number | Pad Function Name  | Description                             | Pin Type |
|---------|-----------------|------------------------|--------------------|---|----------|
| H12     | 42              | 0                      | MSPI0_15 / MSPI1_5 | MSPI Master 0/1 Interface Signal        | I/O      |
|         |                 | 1                      | TRIG2              | ADC trigger input                       | Input    |
|         |                 | 2                      | SWTRACE3           | Serial Wire Debug Trace Output 3        | Output   |
|         |                 | 3                      | GPIO42             | General purpose I/O                     | I/O      |
|         |                 | 4                      | UART2TX            | UART2 transmit output                   | Output   |
|         |                 | 5                      | DISP_D20           | Display Data 20                         | Output   |
|         |                 | 6                      | CT42               | Timer/counter 42                        | Output   |
|         |                 | 7                      | NCE42              | IOMSTR N Chip Select 42                 | Output   |
|         |                 | 8                      | -                  | -                                       | -        |
|         |                 | 9                      | -                  | -                                       | -        |
|         |                 | 10                     | -                  | -                                       | -        |
|         |                 | 11                     | FPIO42             | Fast PIO                                | -        |
| J11     | 43              | 0                      | MSPI0_16 / MSPI1_6 | MSPI Master 0/1 Interface Signal        | I/O      |
|         |                 | 1                      | TRIG3              | ADC trigger input                       | Input    |
|         |                 | 2                      | SWTRACECTL         | Serial Wire Debug Trace Control         | Output   |
|         |                 | 3                      | GPIO43             | General purpose I/O                     | I/O      |
|         |                 | 4                      | UART0RX            | UART0 receive input                     | Input    |
|         |                 | 5                      | DISP_D21           | Display Data 21                         | Output   |
|         |                 | 6                      | CT43               | Timer/counter 43                        | Output   |
|         |                 | 7                      | NCE43              | IOMSTR N Chip Select 43                 | Output   |
|         |                 | 8                      | -                  | -                                       | -        |
|         |                 | 9                      | -                  | -                                       | -        |
|         |                 | 10                     | -                  | -                                       | -        |
|         |                 | 11                     | FPIO43             | Fast PIO                                | -        |
| G12     | 44              | 0                      | MSPI0_17 / MSPI1_7 | MSPI Master 0/1 Interface Signal        | I/O      |
|         |                 | 1                      | TRIG1              | ADC trigger input                       | Input    |
|         |                 | 2                      | SWO                | Serial Wire Debug                       | Output   |
|         |                 | 3                      | GPIO44             | General purpose I/O                     | I/O      |
|         |                 | 4                      | UART2RX            | UART2 receive input                     | Input    |
|         |                 | 5                      | DISP_D22           | Display Data 22                         | Output   |
|         |                 | 6                      | CT44               | Timer/counter 44                        | Output   |
|         |                 | 7                      | NCE44              | IOMSTR N Chip Select 44                 | Output   |
|         |                 | 8                      | -                  | -                                       | -        |
|         |                 | 9                      | VCMP0              | Output of the voltage comparator signal | -        |
|         |                 | 10                     | -                  | -                                       | -        |
|         |                 | 11                     | FPIO44             | Fast PIO                                | -        |

Table 1: Pin List and Function Table

| BGA PIN | GPIO Pad Number | Function Select Number | Pad Function Name  | Description                      | Pin Type                 |
|---------|-----------------|------------------------|--------------------|----------------------------------|--------------------------|
| D11     | 45              | 0                      | MSPIO_18 / MSP11_8 | MSPi Master 0/1 Interface Signal | I/O                      |
|         |                 | 1                      | TRIG2              | ADC trigger input                | Input                    |
|         |                 | 2                      | 32KHzXT            | 32kHz from analog                | Output                   |
|         |                 | 3                      | GPIO45             | General purpose I/O              | I/O                      |
|         |                 | 4                      | UART0TX            | UART0 transmit output            | Output                   |
|         |                 | 5                      | DISP_D23           | Display Data 23                  | Output                   |
|         |                 | 6                      | CT45               | Timer/counter 45                 | Output                   |
|         |                 | 7                      | NCE45              | IOMSTR N Chip Select 45          | Output                   |
|         |                 | 8                      | -                  | -                                | -                        |
|         |                 | 9                      | -                  | -                                | -                        |
|         |                 | 10                     | -                  | -                                | -                        |
|         |                 | 11                     | FPIO45             | Fast PIO                         | -                        |
| E11     | 46              | 0                      | MSP11_9            | MSPi Master 1 Interface Signal   | I/O                      |
|         |                 | 1                      | TRIG3              | ADC trigger input                | Input                    |
|         |                 | 2                      | CLKOUT_32M         | 32MHz Oscillator output clock    | Output                   |
|         |                 | 3                      | GPIO46             | General purpose I/O              | I/O                      |
|         |                 | 4                      | UART2TX            | UART2 transmit output            | Output                   |
|         |                 | 5                      | UART3TX            | UART3 transmit output            | Output                   |
|         |                 | 6                      | CT46               | Timer/counter 46                 | Output                   |
|         |                 | 7                      | NCE46              | IOMSTR/MSPi N Chip Select 46     | Output                   |
|         |                 | 8                      | -                  | -                                | -                        |
|         |                 | 9                      | I2S1_SDIN          | I2S1 Data input                  | Input                    |
|         |                 | 10                     | I2S0_SDIN          | I2S0 Data input                  | Input                    |
|         |                 | 11                     | FPIO46             | Fast PIO                         | -                        |
| F1      | 47              | 0                      | M5SCL              | I <sup>2</sup> C Master 5 Clk    | Bidirectional Open Drain |
|         |                 | 1                      | M5SCK              | SPI Master 5 Clk                 | Output                   |
|         |                 | 2                      | I2S1_CLK           | I2S1 Bit clock                   | Input                    |
|         |                 | 3                      | GPIO47             | General purpose I/O              | I/O                      |
|         |                 | 4                      | UART0RX            | UART0 receive input              | Input                    |
|         |                 | 5                      | UART1RX            | UART1 receive input              | Input                    |
|         |                 | 6                      | CT47               | Timer/counter 47                 | Output                   |
|         |                 | 7                      | NCE47              | IOMSTR N Chip Select 47          | Output                   |
|         |                 | 8                      | -                  | -                                | -                        |
|         |                 | 9                      | -                  | -                                | -                        |
|         |                 | 10                     | I2S0_CLK           | I2S0 Bit clock                   | Input                    |
|         |                 | 11                     | FPIO47             | Fast PIO                         | -                        |

Table 1: Pin List and Function Table

| BGA PIN | GPIO Pad Number | Function Select Number | Pad Function Name | Description   | Pin Type                 |
|---------|-----------------|------------------------|-------------------|---|--------------------------|
| E1      | 48              | 0                      | M5SDAWIR3         | I <sup>2</sup> C Master 5 I/O data (I <sup>2</sup> C) 3 Wire data (SPI) | Bidirectional Open Drain |
|         |                 | 1                      | M5MOSI            | SPI Master 5 data out   | Output                   |
|         |                 | 2                      | I2S1_DATA         | I2S1 Data   | Bidirectional            |
|         |                 | 3                      | GPIO48            | General purpose I/O   | I/O                      |
|         |                 | 4                      | UART2RX           | UART2 receive input   | Input                    |
|         |                 | 5                      | UART3RX           | UART3 receive input   | Input                    |
|         |                 | 6                      | CT48              | Timer/counter 48  | Output                   |
|         |                 | 7                      | NCE48             | IOMSTR N Chip Select 48   | Output                   |
|         |                 | 8                      | -                 | -   | -                        |
|         |                 | 9                      | I2S1_SDOOUT       | I2S1 Data output  | Output                   |
|         |                 | 10                     | I2S0_SDOOUT       | I2S0 Data output  | Output                   |
|         |                 | 11                     | FPIO48            | Fast PIO  | -                        |
| D1      | 49              | 0                      | M5MISO            | SPI Master 5 data in  | Input                    |
|         |                 | 1                      | TRIG0             | ADC trigger input   | Input                    |
|         |                 | 2                      | I2S1_WS           | I2S1 L/R clock  | Input                    |
|         |                 | 3                      | GPIO49            | General purpose I/O   | I/O                      |
|         |                 | 4                      | UART0RTS          | UART0 Request to Send (RTS)   | Output                   |
|         |                 | 5                      | UART1RTS          | UART1 Request to Send (RTS)   | Output                   |
|         |                 | 6                      | CT49              | Timer/counter 49  | Output                   |
|         |                 | 7                      | NCE49             | IOMSTR N Chip Select 49   | Output                   |
|         |                 | 8                      | -                 | -   | -                        |
|         |                 | 9                      | -                 | -   | -                        |
|         |                 | 10                     | I2S0_WS           | I2S0 L/R clock  | Input                    |
|         |                 | 11                     | FPIO49            | Fast PIO  | -                        |
| A10     | 50              | 0                      | PDM0_CLK          | PDM0 Clock output   | Output                   |
|         |                 | 1                      | TRIG0             | ADC trigger input   | Input                    |
|         |                 | 2                      | SWTRACECLK        | Serial Wire Debug Trace Clock   | Output                   |
|         |                 | 3                      | GPIO50            | General purpose I/O   | I/O                      |
|         |                 | 4                      | UART2RTS          | UART2 Request to Send (RTS)   | Output                   |
|         |                 | 5                      | UART3RTS          | UART3 Request to Send (RTS)   | Output                   |
|         |                 | 6                      | CT50              | Timer/counter 50  | Output                   |
|         |                 | 7                      | NCE50             | IOMSTR N Chip Select 50   | Output                   |
|         |                 | 8                      | -                 | -   | -                        |
|         |                 | 9                      | DISP_TE           | Display TE input  | Input                    |
|         |                 | 10                     | -                 | -   | -                        |
|         |                 | 11                     | FPIO50            | Fast PIO  | -                        |

Table 1: Pin List and Function Table

| BGA PIN | GPIO Pad Number | Function Select Number | Pad Function Name | Description                             | Pin Type |
|---------|-----------------|------------------------|-------------------|---|----------|
| A9      | 51              | 0                      | PDM0_DATA         | PDM0 audio data input to chip           | Input    |
|         |                 | 1                      | TRIG1             | ADC trigger input                       | Input    |
|         |                 | 2                      | SWTRACE0          | Serial Wire Debug Trace Output 0        | Output   |
|         |                 | 3                      | GPIO51            | General purpose I/O                     | I/O      |
|         |                 | 4                      | UART0CTS          | UART0 Clear to Send (CTS)               | Input    |
|         |                 | 5                      | UART1CTS          | UART1 Clear to Send (CTS) input         | Input    |
|         |                 | 6                      | CT51              | Timer/counter 51                        | Output   |
|         |                 | 7                      | NCE51             | IOMSTR N Chip Select 51                 | Output   |
|         |                 | 8                      | -                 | -                                       | -        |
|         |                 | 9                      | -                 | -                                       | -        |
|         |                 | 10                     | -                 | -                                       | -        |
|         |                 | 11                     | FPIO51            | Fast PIO                                | -        |
| B10     | 52              | 0                      | PDM1_CLK          | PDM1 Clock output                       | Output   |
|         |                 | 1                      | TRIG2             | ADC trigger input                       | Input    |
|         |                 | 2                      | SWTRACE1          | Serial Wire Debug Trace Output 1        | Output   |
|         |                 | 3                      | GPIO52            | General purpose I/O                     | I/O      |
|         |                 | 4                      | UART2CTS          | UART2 Clear to Send (CTS) input         | Input    |
|         |                 | 5                      | UART3CTS          | UART3 Clear to Send (CTS) input         | Input    |
|         |                 | 6                      | CT52              | Timer/counter 52                        | Output   |
|         |                 | 7                      | NCE52             | IOMSTR/MSPI N Chip Select 52            | Output   |
|         |                 | 8                      | -                 | -                                       | -        |
|         |                 | 9                      | VCMPO             | Output of the voltage comparator signal | -        |
|         |                 | 10                     | -                 | -                                       | -        |
|         |                 | 11                     | FPIO52            | Fast PIO                                | -        |
| B9      | 53              | 0                      | PDM1_DATA         | PDM1 audio data input to chip           | Input    |
|         |                 | 1                      | TRIG3             | ADC trigger input                       | Input    |
|         |                 | 2                      | SWTRACE2          | Serial Wire Debug Trace Output 2        | Output   |
|         |                 | 3                      | GPIO53            | General purpose I/O                     | I/O      |
|         |                 | 4                      | UART0TX           | UART0 transmit output                   | Output   |
|         |                 | 5                      | UART1TX           | UART1 transmit output                   | Output   |
|         |                 | 6                      | CT53              | Timer/counter 53                        | Output   |
|         |                 | 7                      | NCE53             | IOMSTR N Chip Select 53                 | Output   |
|         |                 | 8                      | -                 | -                                       | -        |
|         |                 | 9                      | -                 | -                                       | -        |
|         |                 | 10                     | -                 | -                                       | -        |
|         |                 | 11                     | FPIO53            | Fast PIO                                | -        |



Table 1: Pin List and Function Table

| BGA PIN | GPIO Pad Number | Function Select Number | Pad Function Name | Description                      | Pin Type |
|---------|-----------------|------------------------|-------------------|----------------------------------|----------|
| C10     | 54              | 0                      | PDM2_CLK          | PDM2 Clock output                | Output   |
|         |                 | 1                      | TRIG0             | ADC trigger input                | Input    |
|         |                 | 2                      | SWTRACE3          | Serial Wire Debug Trace Output 3 | Output   |
|         |                 | 3                      | GPIO54            | General purpose I/O              | I/O      |
|         |                 | 4                      | UART2TX           | UART2 transmit output            | Output   |
|         |                 | 5                      | UART3TX           | UART3 transmit output            | Output   |
|         |                 | 6                      | CT54              | Timer/counter 54                 | Output   |
|         |                 | 7                      | NCE54             | IOMSTR N Chip Select 54          | Output   |
|         |                 | 8                      | -                 | -                                | -        |
|         |                 | 9                      | -                 | -                                | -        |
|         |                 | 10                     | -                 | -                                | -        |
|         |                 | 11                     | FPIO54            | Fast PIO                         | -        |
| C9      | 55              | 0                      | PDM2_DATA         | PDM2 audio data input to chip    | Input    |
|         |                 | 1                      | TRIG1             | ADC trigger input                | Input    |
|         |                 | 2                      | SWTRACECTL        | Serial Wire Debug Trace Control  | Output   |
|         |                 | 3                      | GPIO55            | General purpose I/O              | I/O      |
|         |                 | 4                      | UART0RX           | UART0 receive input              | Input    |
|         |                 | 5                      | UART1RX           | UART1 receive input              | Input    |
|         |                 | 6                      | CT55              | Timer/counter 55                 | Output   |
|         |                 | 7                      | NCE55             | IOMSTR N Chip Select 55          | Output   |
|         |                 | 8                      | -                 | -                                | -        |
|         |                 | 9                      | -                 | -                                | -        |
|         |                 | 10                     | -                 | -                                | -        |
|         |                 | 11                     | FPIO55            | Fast PIO                         | -        |
| D10     | 56              | 0                      | PDM3_CLK          | PDM3 Clock output                | Output   |
|         |                 | 1                      | TRIG2             | ADC trigger input                | Input    |
|         |                 | 2                      | SWO               | Serial Wire Debug                | Output   |
|         |                 | 3                      | GPIO56            | General purpose I/O              | I/O      |
|         |                 | 4                      | UART2RX           | UART2 receive input              | Input    |
|         |                 | 5                      | UART3RX           | UART3 receive input              | Input    |
|         |                 | 6                      | CT56              | Timer/counter 56                 | Output   |
|         |                 | 7                      | NCE56             | IOMSTR/MSPI N Chip Select 56     | Output   |
|         |                 | 8                      | -                 | -                                | -        |
|         |                 | 9                      | -                 | -                                | -        |
|         |                 | 10                     | -                 | -                                | -        |
|         |                 | 11                     | FPIO56            | Fast PIO                         | -        |

Table 1: Pin List and Function Table

| BGA PIN | GPIO Pad Number | Function Select Number | Pad Function Name | Description                             | Pin Type |
|---------|-----------------|------------------------|-------------------|---|----------|
| D9      | 57              | 0                      | PDM3_DATA         | PDM3 audio data input to chip           | Input    |
|         |                 | 1                      | TRIG3             | ADC trigger input                       | Input    |
|         |                 | 2                      | SWO               | Serial Wire Debug                       | Output   |
|         |                 | 3                      | GPIO57            | General purpose I/O                     | I/O      |
|         |                 | 4                      | UART0RTS          | UART0 Request to Send (RTS)             | Output   |
|         |                 | 5                      | UART1RTS          | UART1 Request to Send (RTS)             | Output   |
|         |                 | 6                      | CT57              | Timer/counter 57                        | Output   |
|         |                 | 7                      | NCE57             | IOMSTR/MSPI N Chip Select 57            | Output   |
|         |                 | 8                      | -                 | -                                       | -        |
|         |                 | 9                      | VCMPO             | Output of the voltage comparator signal | -        |
|         |                 | 10                     | -                 | -                                       | -        |
|         |                 | 11                     | FPIO57            | Fast PIO                                | -        |
| J7      | 58              | 0                      | -                 | -                                       | -        |
|         |                 | 1                      | -                 | -                                       | -        |
|         |                 | 2                      | -                 | -                                       | -        |
|         |                 | 3                      | GPIO58            | General purpose I/O                     | I/O      |
|         |                 | 4                      | UART0RTS          | UART0 Request to Send (RTS)             | Output   |
|         |                 | 5                      | UART3RTS          | UART3 Request to Send (RTS)             | Output   |
|         |                 | 6                      | CT58              | Timer/counter 58                        | Output   |
|         |                 | 7                      | NCE58             | IOMSTR N Chip Select 58                 | Output   |
|         |                 | 8                      | -                 | -                                       | -        |
|         |                 | 9                      | -                 | -                                       | -        |
|         |                 | 10                     | -                 | -                                       | -        |
|         |                 | 11                     | FPIO58            | Fast PIO                                | -        |
| J8      | 59              | 0                      | -                 | -                                       | -        |
|         |                 | 1                      | TRIG0             | ADC trigger input                       | Input    |
|         |                 | 2                      | -                 | -                                       | -        |
|         |                 | 3                      | GPIO59            | General purpose I/O                     | I/O      |
|         |                 | 4                      | UART0CTS          | UART0 Clear to Send (CTS)               | Input    |
|         |                 | 5                      | UART1CTS          | UART1 Clear to Send (CTS) input         | Input    |
|         |                 | 6                      | CT59              | Timer/counter 59                        | Output   |
|         |                 | 7                      | NCE59             | IOMSTR N Chip Select 59                 | Output   |
|         |                 | 8                      | -                 | -                                       | -        |
|         |                 | 9                      | -                 | -                                       | -        |
|         |                 | 10                     | -                 | -                                       | -        |
|         |                 | 11                     | FPIO59            | Fast PIO                                | -        |

Table 1: Pin List and Function Table

| BGA PIN | GPIO Pad Number | Function Select Number | Pad Function Name | Description   | Pin Type                 |
|---------|-----------------|------------------------|-------------------|---|--------------------------|
| K8      | 60              | 0                      | -                 | -   | -                        |
|         |                 | 1                      | TRIG1             | ADC trigger input   | Input                    |
|         |                 | 2                      | -                 | -   | -                        |
|         |                 | 3                      | GPIO60            | General purpose I/O   | I/O                      |
|         |                 | 4                      | UART0TX           | UART0 transmit output   | Output                   |
|         |                 | 5                      | UART3CTS          | UART3 Clear to Send (CTS) input   | Input                    |
|         |                 | 6                      | CT60              | Timer/counter 60  | Output                   |
|         |                 | 7                      | NCE60             | IOMSTR/MSPI N Chip Select 60  | Output                   |
|         |                 | 8                      | -                 | -   | -                        |
|         |                 | 9                      | -                 | -   | -                        |
|         |                 | 10                     | -                 | -   | -                        |
|         |                 | 11                     | FPIO60            | Fast PIO  | -                        |
| K5      | 61              | 0                      | M6SCL             | I <sup>2</sup> C Master 6 Clk   | Bidirectional Open Drain |
|         |                 | 1                      | M6SCK             | SPI Master 6 Clk  | Output                   |
|         |                 | 2                      | I2S1_CLK          | I2S1 Bit clock  | Input                    |
|         |                 | 3                      | GPIO61            | General purpose I/O   | I/O                      |
|         |                 | 4                      | UART2TX           | UART2 transmit output   | Output                   |
|         |                 | 5                      | UART3TX           | UART3 transmit output   | Output                   |
|         |                 | 6                      | CT61              | Timer/counter 61  | Output                   |
|         |                 | 7                      | NCE61             | IOMSTR N Chip Select 61   | Output                   |
|         |                 | 8                      | -                 | -   | -                        |
|         |                 | 9                      | -                 | -   | -                        |
|         |                 | 10                     | -                 | -   | -                        |
|         |                 | 11                     | FPIO61            | Fast PIO  | -                        |
| L5      | 62              | 0                      | M6SDAWIR3         | I <sup>2</sup> C Master 6 I/O data (I <sup>2</sup> C) 3 Wire data (SPI) | Bidirectional Open Drain |
|         |                 | 1                      | M6MOSI            | SPI Master 6 data out   | Output                   |
|         |                 | 2                      | I2S1_DATA         | I2S1 Data   | Bidirectional            |
|         |                 | 3                      | GPIO62            | General purpose I/O   | I/O                      |
|         |                 | 4                      | UART0RX           | UART0 receive input   | Input                    |
|         |                 | 5                      | UART1RX           | UART1 receive input   | Input                    |
|         |                 | 6                      | CT62              | Timer/counter 62  | Output                   |
|         |                 | 7                      | NCE62             | IOMSTR N Chip Select 62   | Output                   |
|         |                 | 8                      | -                 | -   | -                        |
|         |                 | 9                      | I2S1_SDOOUT       | I2S1 Data output  | Output                   |
|         |                 | 10                     | -                 | -   | -                        |
|         |                 | 11                     | FPIO62            | Fast PIO  | -                        |

Table 1: Pin List and Function Table

| BGA PIN | GPIO Pad Number | Function Select Number | Pad Function Name | Description                    | Pin Type |
|---------|-----------------|------------------------|-------------------|--------------------------------|----------|
| M5      | 63              | 0                      | M6MISO            | SPI Master 6 data in           | Input    |
|         |                 | 1                      | CLKOUT            | Oscillator output clock        | Output   |
|         |                 | 2                      | I2S1_WS           | I2S1 L/R clock                 | Input    |
|         |                 | 3                      | GPIO63            | General purpose I/O            | I/O      |
|         |                 | 4                      | UART2RX           | UART2 receive input            | Input    |
|         |                 | 5                      | UART3RX           | UART3 receive input            | Input    |
|         |                 | 6                      | CT63              | Timer/counter 63               | Output   |
|         |                 | 7                      | NCE63             | IOMSTR N Chip Select 63        | Output   |
|         |                 | 8                      | -                 | -                              | -        |
|         |                 | 9                      | DISP_TE           | Display TE input               | Input    |
|         |                 | 10                     | -                 | -                              | -        |
|         |                 | 11                     | FPIO63            | Fast PIO                       | -        |
| B6      | 64              | 0                      | MSPI0_0           | MSPI Master 0 Interface Signal | I/O      |
|         |                 | 1                      | 32KHzXT           | 32kHz from analog              | Output   |
|         |                 | 2                      | SWO               | Serial Wire Debug              | Output   |
|         |                 | 3                      | GPIO64            | General purpose I/O            | I/O      |
|         |                 | 4                      | UART0RTS          | UART0 Request to Send (RTS)    | Output   |
|         |                 | 5                      | DISP_D0           | Display Data 0                 | Output   |
|         |                 | 6                      | CT64              | Timer/counter 64               | Output   |
|         |                 | 7                      | NCE64             | IOMSTR N Chip Select 64        | Output   |
|         |                 | 8                      | -                 | -                              | -        |
|         |                 | 9                      | I2S1_SDIN         | I2S1 Data input                | Input    |
|         |                 | 10                     | -                 | -                              | -        |
|         |                 | 11                     | FPIO64            | Fast PIO                       | -        |
| A7      | 65              | 0                      | MSPI0_1           | MSPI Master 0 Interface Signal | I/O      |
|         |                 | 1                      | 32KHzXT           | 32kHz from analog              | Output   |
|         |                 | 2                      | SWO               | Serial Wire Debug              | Output   |
|         |                 | 3                      | GPIO65            | General purpose I/O            | I/O      |
|         |                 | 4                      | UART0CTS          | UART0 Clear to Send (CTS)      | Input    |
|         |                 | 5                      | DISP_D1           | Display Data 1                 | Output   |
|         |                 | 6                      | CT65              | Timer/counter 65               | Output   |
|         |                 | 7                      | NCE65             | IOMSTR N Chip Select 65        | Output   |
|         |                 | 8                      | -                 | -                              | -        |
|         |                 | 9                      | -                 | -                              | -        |
|         |                 | 10                     | -                 | -                              | -        |
|         |                 | 11                     | FPIO65            | Fast PIO                       | -        |

Table 1: Pin List and Function Table

| BGA PIN | GPIO Pad Number | Function Select Number | Pad Function Name | Description                    | Pin Type |
|---------|-----------------|------------------------|-------------------|--------------------------------|----------|
| A8      | 66              | 0                      | MSPI0_2           | MSPI Master 0 Interface Signal | I/O      |
|         |                 | 1                      | CLKOUT            | Oscillator output clock        | Output   |
|         |                 | 2                      | SWO               | Serial Wire Debug              | Output   |
|         |                 | 3                      | GPIO66            | General purpose I/O            | I/O      |
|         |                 | 4                      | UART0TX           | UART0 transmit output          | Output   |
|         |                 | 5                      | DISP_D2           | Display Data 2                 | Output   |
|         |                 | 6                      | CT66              | Timer/counter 66               | Output   |
|         |                 | 7                      | NCE66             | IOMSTR N Chip Select 66        | Output   |
|         |                 | 8                      | -                 | -                              | -        |
|         |                 | 9                      | -                 | -                              | -        |
|         |                 | 10                     | -                 | -                              | -        |
|         |                 | 11                     | FPIO66            | Fast PIO                       | -        |
| C6      | 67              | 0                      | MSPI0_3           | MSPI Master 0 Interface Signal | I/O      |
|         |                 | 1                      | CLKOUT            | Oscillator output clock        | Output   |
|         |                 | 2                      | SWO               | Serial Wire Debug              | Output   |
|         |                 | 3                      | GPIO67            | General purpose I/O            | I/O      |
|         |                 | 4                      | UART2TX           | UART2 transmit output          | Output   |
|         |                 | 5                      | DISP_D3           | Display Data 3                 | Output   |
|         |                 | 6                      | CT67              | Timer/counter 67               | Output   |
|         |                 | 7                      | NCE67             | IOMSTR N Chip Select 67        | Output   |
|         |                 | 8                      | -                 | -                              | -        |
|         |                 | 9                      | -                 | -                              | -        |
|         |                 | 10                     | -                 | -                              | -        |
|         |                 | 11                     | FPIO67            | Fast PIO                       | -        |
| B7      | 68              | 0                      | MSPI0_4           | MSPI Master 0 Interface Signal | I/O      |
|         |                 | 1                      | SWO               | Serial Wire Debug              | Output   |
|         |                 | 2                      | -                 | -                              | -        |
|         |                 | 3                      | GPIO68            | General purpose I/O            | I/O      |
|         |                 | 4                      | UART0RX           | UART0 receive input            | Input    |
|         |                 | 5                      | DISP_D4           | Display Data 4                 | Output   |
|         |                 | 6                      | CT68              | Timer/counter 68               | Output   |
|         |                 | 7                      | NCE68             | IOMSTR N Chip Select 68        | Output   |
|         |                 | 8                      | -                 | -                              | -        |
|         |                 | 9                      | -                 | -                              | -        |
|         |                 | 10                     | -                 | -                              | -        |
|         |                 | 11                     | FPIO68            | Fast PIO                       | -        |

Table 1: Pin List and Function Table

| BGA PIN | GPIO Pad Number | Function Select Number | Pad Function Name | Description                      | Pin Type |
|---------|-----------------|------------------------|-------------------|----------------------------------|----------|
| B8      | 69              | 0                      | MSPI0_5           | MSPI Master 0 Interface Signal   | I/O      |
|         |                 | 1                      | 32KHzXT           | 32kHz from analog                | Output   |
|         |                 | 2                      | SWO               | Serial Wire Debug                | Output   |
|         |                 | 3                      | GPIO69            | General purpose I/O              | I/O      |
|         |                 | 4                      | UART2RX           | UART2 receive input              | Input    |
|         |                 | 5                      | DISP_D5           | Display Data 5                   | Output   |
|         |                 | 6                      | CT69              | Timer/counter 69                 | Output   |
|         |                 | 7                      | NCE69             | IOMSTR N Chip Select 69          | Output   |
|         |                 | 8                      | -                 | -                                | -        |
|         |                 | 9                      | -                 | -                                | -        |
|         |                 | 10                     | -                 | -                                | -        |
|         |                 | 11                     | FPIO69            | Fast PIO                         | -        |
| C5      | 70              | 0                      | MSPI0_6           | MSPI Master 0 Interface Signal   | I/O      |
|         |                 | 1                      | 32KHzXT           | 32kHz from analog                | Output   |
|         |                 | 2                      | SWTRACE0          | Serial Wire Debug Trace Output 0 | Output   |
|         |                 | 3                      | GPIO70            | General purpose I/O              | I/O      |
|         |                 | 4                      | UART0RTS          | UART0 Request to Send (RTS)      | Output   |
|         |                 | 5                      | DISP_D6           | Display Data 6                   | Output   |
|         |                 | 6                      | CT70              | Timer/counter 70                 | Output   |
|         |                 | 7                      | NCE70             | IOMSTR N Chip Select 70          | Output   |
|         |                 | 8                      | -                 | -                                | -        |
|         |                 | 9                      | -                 | -                                | -        |
|         |                 | 10                     | -                 | -                                | -        |
|         |                 | 11                     | FPIO70            | Fast PIO                         | -        |
| C7      | 71              | 0                      | MSPI0_7           | MSPI Master 0 Interface Signal   | I/O      |
|         |                 | 1                      | CLKOUT            | Oscillator output clock          | Output   |
|         |                 | 2                      | SWTRACE1          | Serial Wire Debug Trace Output 1 | Output   |
|         |                 | 3                      | GPIO71            | General purpose I/O              | I/O      |
|         |                 | 4                      | UART0CTS          | UART0 Clear to Send (CTS)        | Input    |
|         |                 | 5                      | DISP_D7           | Display Data 7                   | Output   |
|         |                 | 6                      | CT71              | Timer/counter 71                 | Output   |
|         |                 | 7                      | NCE71             | IOMSTR N Chip Select 71          | Output   |
|         |                 | 8                      | -                 | -                                | -        |
|         |                 | 9                      | -                 | -                                | -        |
|         |                 | 10                     | -                 | -                                | -        |
|         |                 | 11                     | FPIO71            | Fast PIO                         | -        |

Table 1: Pin List and Function Table

| BGA PIN | GPIO Pad Number | Function Select Number | Pad Function Name | Description                             | Pin Type      |
|---------|-----------------|------------------------|-------------------|---|---------------|
| C8      | 72              | 0                      | MSPI0_8           | MSPI Master 0 Interface Signal          | I/O           |
|         |                 | 1                      | CLKOUT            | Oscillator output clock                 | Output        |
|         |                 | 2                      | SWTRACE2          | Serial Wire Debug Trace Output 2        | Output        |
|         |                 | 3                      | GPIO72            | General purpose I/O                     | I/O           |
|         |                 | 4                      | UART0TX           | UART0 transmit output                   | Output        |
|         |                 | 5                      | DISP_D8           | Display Data 8                          | Output        |
|         |                 | 6                      | CT72              | Timer/counter 72                        | Output        |
|         |                 | 7                      | NCE72             | IOMSTR N Chip Select 72                 | Output        |
|         |                 | 8                      | -                 | -                                       | -             |
|         |                 | 9                      | VCMPO             | Output of the voltage comparator signal | -             |
|         |                 | 10                     | -                 | -                                       | -             |
|         |                 | 11                     | FPIO72            | Fast PIO                                | -             |
| D8      | 73              | 0                      | MSPI0_9           | MSPI Master 0 Interface Signal          | I/O           |
|         |                 | 1                      | -                 | -                                       | -             |
|         |                 | 2                      | SWTRACE3          | Serial Wire Debug Trace Output 3        | Output        |
|         |                 | 3                      | GPIO73            | General purpose I/O                     | I/O           |
|         |                 | 4                      | UART2TX           | UART2 transmit output                   | Output        |
|         |                 | 5                      | DISP_D9           | Display Data 9                          | Output        |
|         |                 | 6                      | CT73              | Timer/counter 73                        | Output        |
|         |                 | 7                      | NCE73             | IOMSTR/MSPI N Chip Select 73            | Output        |
|         |                 | 8                      | -                 | -                                       | -             |
|         |                 | 9                      | -                 | -                                       | -             |
|         |                 | 10                     | -                 | -                                       | -             |
|         |                 | 11                     | FPIO73            | Fast PIO                                | -             |
| J12     | 74              | 0                      | MSPI2_0           | MSPI Master 2 Interface Signal          | I/O           |
|         |                 | 1                      | DISP_QSPI_D0_OUT  | Display SPI Data0                       | Output        |
|         |                 | 2                      | DISP_QSPI_D0      | Display SPI Data0                       | Bidirectional |
|         |                 | 3                      | GPIO74            | General purpose I/O                     | I/O           |
|         |                 | 4                      | UART0RX           | UART0 receive input                     | Input         |
|         |                 | 5                      | DISP_D10          | Display Data 10                         | Output        |
|         |                 | 6                      | CT74              | Timer/counter 74                        | Output        |
|         |                 | 7                      | NCE74             | IOMSTR N Chip Select 74                 | Output        |
|         |                 | 8                      | -                 | -                                       | -             |
|         |                 | 9                      | DISP_SPI_SD       | Display SPI Data Out                    | Bidirectional |
|         |                 | 10                     | DISP_SPI_SDO      | Display SPI Data Out                    | Output        |
|         |                 | 11                     | FPIO74            | Fast PIO                                | -             |

Table 1: Pin List and Function Table

| BGA PIN | GPIO Pad Number | Function Select Number | Pad Function Name | Description                    | Pin Type |
|---------|-----------------|------------------------|-------------------|--------------------------------|----------|
| K12     | 75              | 0                      | MSPI2_1           | MSPI Master 2 Interface Signal | I/O      |
|         |                 | 1                      | 32KHzXT           | 32kHz from analog              | Output   |
|         |                 | 2                      | DISP_QSPI_D1      | Display SPI Data1              | Output   |
|         |                 | 3                      | GPIO75            | General purpose I/O            | I/O      |
|         |                 | 4                      | UART2RX           | UART2 receive input            | Input    |
|         |                 | 5                      | DISP_D11          | Display Data 11                | Output   |
|         |                 | 6                      | CT75              | Timer/counter 75               | Output   |
|         |                 | 7                      | NCE75             | IOMSTR N Chip Select 75        | Output   |
|         |                 | 8                      | -                 | -                              | -        |
|         |                 | 9                      | DISP_SPI_DCX      | Display SPI DCx                | Output   |
|         |                 | 10                     | -                 | -                              | -        |
|         |                 | 11                     | FPIO75            | Fast PIO                       | -        |
| L12     | 76              | 0                      | MSPI2_2           | MSPI Master 2 Interface Signal | I/O      |
|         |                 | 1                      | 32KHzXT           | 32kHz from analog              | Output   |
|         |                 | 2                      | DISP_QSPI_D2      | Display SPI Data2              | Output   |
|         |                 | 3                      | GPIO76            | General purpose I/O            | I/O      |
|         |                 | 4                      | UART0RTS          | UART0 Request to Send (RTS)    | Output   |
|         |                 | 5                      | DISP_D12          | Display Data 12                | Output   |
|         |                 | 6                      | CT76              | Timer/counter 76               | Output   |
|         |                 | 7                      | NCE76             | IOMSTR N Chip Select 76        | Output   |
|         |                 | 8                      | -                 | -                              | -        |
|         |                 | 9                      | -                 | -                              | -        |
|         |                 | 10                     | -                 | -                              | -        |
|         |                 | 11                     | FPIO76            | Fast PIO                       | -        |
| K11     | 77              | 0                      | MSPI2_3           | MSPI Master 2 Interface Signal | I/O      |
|         |                 | 1                      | -                 | -                              | -        |
|         |                 | 2                      | DISP_QSPI_D3      | Display SPI Data3              | Output   |
|         |                 | 3                      | GPIO77            | General purpose I/O            | I/O      |
|         |                 | 4                      | UART0CTS          | UART0 Clear to Send (CTS)      | Input    |
|         |                 | 5                      | DISP_D13          | Display Data 13                | Output   |
|         |                 | 6                      | CT77              | Timer/counter 77               | Output   |
|         |                 | 7                      | NCE77             | IOMSTR N Chip Select 77        | Output   |
|         |                 | 8                      | -                 | -                              | -        |
|         |                 | 9                      | -                 | -                              | -        |
|         |                 | 10                     | -                 | -                              | -        |
|         |                 | 11                     | FPIO77            | Fast PIO                       | -        |



Table 1: Pin List and Function Table

| BGA PIN | GPIO Pad Number | Function Select Number | Pad Function Name | Description                      | Pin Type |
|---------|-----------------|------------------------|-------------------|----------------------------------|----------|
| L11     | 78              | 0                      | MSPI2_4           | MSPI Master 2 Interface Signal   | I/O      |
|         |                 | 1                      | -                 | -                                | -        |
|         |                 | 2                      | DISP_QSPI_SCK     | Display SPI CLK                  | Output   |
|         |                 | 3                      | GPIO78            | General purpose I/O              | I/O      |
|         |                 | 4                      | UART0TX           | UART0 transmit output            | Output   |
|         |                 | 5                      | DISP_D14          | Display Data 14                  | Output   |
|         |                 | 6                      | CT78              | Timer/counter 78                 | Output   |
|         |                 | 7                      | NCE78             | IOMSTR N Chip Select 78          | Output   |
|         |                 | 8                      | -                 | -                                | -        |
|         |                 | 9                      | DISP_SPI_SCK      | Display SPI Clock                | Output   |
|         |                 | 10                     | -                 | -                                | -        |
|         |                 | 11                     | FPIO78            | Fast PIO                         | -        |
| M11     | 79              | 0                      | MSPI2_5           | MSPI Master 2 Interface Signal   | I/O      |
|         |                 | 1                      | -                 | -                                | -        |
|         |                 | 2                      | SDIF_DAT4         | SD/SDIO/MMC Data4 pin            | I/O      |
|         |                 | 3                      | GPIO79            | General purpose I/O              | I/O      |
|         |                 | 4                      | SWO               | Serial Wire Debug                | Output   |
|         |                 | 5                      | DISP_VS           | Display RGB VSYNC                | Output   |
|         |                 | 6                      | CT79              | Timer/counter 79                 | Output   |
|         |                 | 7                      | NCE79             | IOMSTR N Chip Select 79          | Output   |
|         |                 | 8                      | -                 | -                                | -        |
|         |                 | 9                      | DISP_SPI_SDI      | Display SPI Data IN              | input    |
|         |                 | 10                     | -                 | -                                | -        |
|         |                 | 11                     | FPIO79            | Fast PIO                         | -        |
| K10     | 80              | 0                      | MSPI2_6           | MSPI Master 2 Interface Signal   | I/O      |
|         |                 | 1                      | CLKOUT            | Oscillator output clock          | Output   |
|         |                 | 2                      | SDIF_DAT5         | SD/SDIO/MMC Data5 pin            | I/O      |
|         |                 | 3                      | GPIO80            | General purpose I/O              | I/O      |
|         |                 | 4                      | SWTRACE0          | Serial Wire Debug Trace Output 0 | Output   |
|         |                 | 5                      | DISP_HS           | Display RGB HSYNC                | Output   |
|         |                 | 6                      | CT80              | Timer/counter 80                 | Output   |
|         |                 | 7                      | NCE80             | IOMSTR N Chip Select 80          | Output   |
|         |                 | 8                      | -                 | -                                | -        |
|         |                 | 9                      | -                 | -                                | -        |
|         |                 | 10                     | -                 | -                                | -        |
|         |                 | 11                     | FPIO80            | Fast PIO                         | -        |

Table 1: Pin List and Function Table

| BGA PIN | GPIO Pad Number | Function Select Number | Pad Function Name | Description                      | Pin Type |
|---------|-----------------|------------------------|-------------------|----------------------------------|----------|
| L10     | 81              | 0                      | MSPI2_7           | MSPI Master 2 Interface Signal   | I/O      |
|         |                 | 1                      | CLKOUT            | Oscillator output clock          | Output   |
|         |                 | 2                      | SDIF_DAT6         | SD/SDIO/MMC Data6 pin            | I/O      |
|         |                 | 3                      | GPIO81            | General purpose I/O              | I/O      |
|         |                 | 4                      | SWTRACE1          | Serial Wire Debug Trace Output 1 | Output   |
|         |                 | 5                      | DISP_DE           | Display RGB Data Enable          | Output   |
|         |                 | 6                      | CT81              | Timer/counter 81                 | Output   |
|         |                 | 7                      | NCE81             | IOMSTR N Chip Select 81          | Output   |
|         |                 | 8                      | -                 | -                                | -        |
|         |                 | 9                      | -                 | -                                | -        |
|         |                 | 10                     | -                 | -                                | -        |
|         |                 | 11                     | FPIO81            | Fast PIO                         | -        |
| L9      | 82              | 0                      | MSPI2_8           | MSPI Master 2 Interface Signal   | I/O      |
|         |                 | 1                      | 32KHzXT           | 32kHz from analog                | Output   |
|         |                 | 2                      | SDIF_DAT7         | SD/SDIO/MMC Data7 pin            | I/O      |
|         |                 | 3                      | GPIO82            | General purpose I/O              | I/O      |
|         |                 | 4                      | SWTRACE2          | Serial Wire Debug Trace Output 2 | Output   |
|         |                 | 5                      | DISP_PCLK         | Display RGB Pixel Clock          | Output   |
|         |                 | 6                      | CT82              | Timer/counter 82                 | Output   |
|         |                 | 7                      | NCE82             | IOMSTR N Chip Select 82          | Output   |
|         |                 | 8                      | -                 | -                                | -        |
|         |                 | 9                      | -                 | -                                | -        |
|         |                 | 10                     | -                 | -                                | -        |
|         |                 | 11                     | FPIO82            | Fast PIO                         | -        |
| K9      | 83              | 0                      | MSPI2_9           | MSPI Master 2 Interface Signal   | I/O      |
|         |                 | 1                      | 32KHzXT           | 32kHz from analog                | Output   |
|         |                 | 2                      | SDIF_CMD          | SD1/SD4/MMC Command pin          | I/O      |
|         |                 | 3                      | GPIO83            | General purpose I/O              | I/O      |
|         |                 | 4                      | SWTRACE3          | Serial Wire Debug Trace Output 3 | Output   |
|         |                 | 5                      | DISP_SD           | Display RGB Shutdown             | Output   |
|         |                 | 6                      | CT83              | Timer/counter 83                 | Output   |
|         |                 | 7                      | NCE83             | IOMSTR/MSPI N Chip Select 83     | Output   |
|         |                 | 8                      | -                 | -                                | -        |
|         |                 | 9                      | -                 | -                                | -        |
|         |                 | 10                     | -                 | -                                | -        |
|         |                 | 11                     | FPIO83            | Fast PIO                         | -        |

Table 1: Pin List and Function Table

| BGA PIN | GPIO Pad Number | Function Select Number | Pad Function Name | Description                  | Pin Type |
|---------|-----------------|------------------------|-------------------|------------------------------|----------|
| J9      | 84              | 0                      | -                 | -                            | -        |
|         |                 | 1                      | -                 | -                            | -        |
|         |                 | 2                      | SDIF_DAT0         | SD/SDIO/MMC Data0 pin        | I/O      |
|         |                 | 3                      | GPIO84            | General purpose I/O          | I/O      |
|         |                 | 4                      | -                 | -                            | -        |
|         |                 | 5                      | -                 | -                            | -        |
|         |                 | 6                      | CT84              | Timer/counter 84             | Output   |
|         |                 | 7                      | NCE84             | IOMSTR/MSPI N Chip Select 84 | Output   |
|         |                 | 8                      | -                 | -                            | -        |
|         |                 | 9                      | -                 | -                            | -        |
|         |                 | 10                     | -                 | -                            | -        |
|         |                 | 11                     | FPIO84            | Fast PIO                     | -        |
| H9      | 85              | 0                      | -                 | -                            | -        |
|         |                 | 1                      | -                 | -                            | -        |
|         |                 | 2                      | SDIF_DAT1         | SD/SDIO/MMC Data1 pin        | I/O      |
|         |                 | 3                      | GPIO85            | General purpose I/O          | I/O      |
|         |                 | 4                      | -                 | -                            | -        |
|         |                 | 5                      | -                 | -                            | -        |
|         |                 | 6                      | CT85              | Timer/counter 85             | Output   |
|         |                 | 7                      | NCE85             | IOMSTR/MSPI N Chip Select 85 | Output   |
|         |                 | 8                      | -                 | -                            | -        |
|         |                 | 9                      | -                 | -                            | -        |
|         |                 | 10                     | -                 | -                            | -        |
|         |                 | 11                     | FPIO85            | Fast PIO                     | -        |
| G10     | 86              | 0                      | -                 | -                            | -        |
|         |                 | 1                      | -                 | -                            | -        |
|         |                 | 2                      | SDIF_DAT2         | SD/SDIO/MMC Data2 pin        | I/O      |
|         |                 | 3                      | GPIO86            | General purpose I/O          | I/O      |
|         |                 | 4                      | -                 | -                            | -        |
|         |                 | 5                      | -                 | -                            | -        |
|         |                 | 6                      | CT86              | Timer/counter 86             | Output   |
|         |                 | 7                      | NCE86             | IOMSTR/MSPI N Chip Select 86 | Output   |
|         |                 | 8                      | -                 | -                            | -        |
|         |                 | 9                      | -                 | -                            | -        |
|         |                 | 10                     | -                 | -                            | -        |
|         |                 | 11                     | FPIO86            | Fast PIO                     | -        |

Table 1: Pin List and Function Table

| BGA PIN | GPIO Pad Number | Function Select Number | Pad Function Name | Description                     | Pin Type |
|---------|-----------------|------------------------|-------------------|---------------------------------|----------|
| G9      | 87              | 0                      | -                 | -                               | -        |
|         |                 | 1                      | -                 | -                               | -        |
|         |                 | 2                      | SDIF_DAT3         | SD/SDIO/MMC Data3 pin           | I/O      |
|         |                 | 3                      | GPIO87            | General purpose I/O             | I/O      |
|         |                 | 4                      | -                 | -                               | -        |
|         |                 | 5                      | -                 | -                               | -        |
|         |                 | 6                      | CT87              | Timer/counter 87                | Output   |
|         |                 | 7                      | NCE87             | IOMSTR N Chip Select 87         | Output   |
|         |                 | 8                      | -                 | -                               | -        |
|         |                 | 9                      | DISP_TE           | Display TE input                | Input    |
|         |                 | 10                     | -                 | -                               | -        |
|         |                 | 11                     | FPIO87            | Fast PIO                        | -        |
| F9      | 88              | 0                      | -                 | -                               | -        |
|         |                 | 1                      | -                 | -                               | -        |
|         |                 | 2                      | SDIF_CLKOUT       | SD/SDIO/MMC Clock to Card (CLK) | Output   |
|         |                 | 3                      | GPIO88            | General purpose I/O             | I/O      |
|         |                 | 4                      | -                 | -                               | -        |
|         |                 | 5                      | -                 | -                               | -        |
|         |                 | 6                      | CT88              | Timer/counter 88                | Output   |
|         |                 | 7                      | NCE88             | IOMSTR N Chip Select 88         | Output   |
|         |                 | 8                      | -                 | -                               | -        |
|         |                 | 9                      | -                 | -                               | -        |
|         |                 | 10                     | -                 | -                               | -        |
|         |                 | 11                     | FPIO88            | Fast PIO                        | -        |
| F10     | 89              | 0                      | -                 | -                               | -        |
|         |                 | 1                      | -                 | -                               | -        |
|         |                 | 2                      | -                 | -                               | -        |
|         |                 | 3                      | GPIO89            | General purpose I/O             | I/O      |
|         |                 | 4                      | -                 | -                               | -        |
|         |                 | 5                      | DISP_CM           | Display RGB Color Mode          | Output   |
|         |                 | 6                      | CT89              | Timer/counter 89                | Output   |
|         |                 | 7                      | NCE89             | IOMSTR Chip Select 89           | Output   |
|         |                 | 8                      | -                 | -                               | -        |
|         |                 | 9                      | -                 | -                               | -        |
|         |                 | 10                     | -                 | -                               | -        |
|         |                 | 11                     | FPIO89            | Fast PIO                        | -        |

Table 1: Pin List and Function Table

| BGA PIN | GPIO Pad Number | Function Select Number | Pad Function Name | Description                             | Pin Type |
|---------|-----------------|------------------------|-------------------|---|----------|
| C11     | 90              | 0                      | -                 | -                                       | -        |
|         |                 | 1                      | -                 | -                                       | -        |
|         |                 | 2                      | -                 | -                                       | -        |
|         |                 | 3                      | GPIO90            | General purpose I/O                     | I/O      |
|         |                 | 4                      | -                 | -                                       | -        |
|         |                 | 5                      | -                 | -                                       | -        |
|         |                 | 6                      | CT90              | Timer/counter 89                        | Output   |
|         |                 | 7                      | NCE90             | -                                       | -        |
|         |                 | 8                      | -                 | -                                       | -        |
|         |                 | 9                      | VCMPO             | Output of the voltage comparator signal | -        |
|         |                 | 10                     | -                 | -                                       | -        |
|         |                 | 11                     | FPIO90            | Fast PIO                                | -        |
| E10     | 91              | 0                      | -                 | -                                       | -        |
|         |                 | 1                      | -                 | -                                       | -        |
|         |                 | 2                      | -                 | -                                       | -        |
|         |                 | 3                      | GPIO91            | General purpose I/O                     | I/O      |
|         |                 | 4                      | -                 | -                                       | -        |
|         |                 | 5                      | -                 | -                                       | -        |
|         |                 | 6                      | CT91              | Timer/counter 89                        | Output   |
|         |                 | 7                      | NCE91             | IOMSTR/MSPI N Chip Select 91            | Output   |
|         |                 | 8                      | -                 | -                                       | -        |
|         |                 | 9                      | VCMPO             | Output of the voltage comparator signal | -        |
|         |                 | 10                     | -                 | -                                       | -        |
|         |                 | 11                     | FPIO91            | Fast PIO                                | -        |
| E9      | 92              | 0                      | -                 | -                                       | -        |
|         |                 | 1                      | -                 | -                                       | -        |
|         |                 | 2                      | -                 | -                                       | -        |
|         |                 | 3                      | GPIO92            | General purpose I/O                     | I/O      |
|         |                 | 4                      | -                 | -                                       | -        |
|         |                 | 5                      | -                 | -                                       | -        |
|         |                 | 6                      | CT92              | Timer/counter 89                        | Output   |
|         |                 | 7                      | NCE92             | IOMSTR N Chip Select 92                 | Output   |
|         |                 | 8                      | -                 | -                                       | -        |
|         |                 | 9                      | VCMPO             | Output of the voltage comparator signal | -        |
|         |                 | 10                     | -                 | -                                       | -        |
|         |                 | 11                     | FPIO92            | Fast PIO                                | -        |

Table 1: Pin List and Function Table

| BGA PIN | GPIO Pad Number | Function Select Number | Pad Function Name | Description                             | Pin Type |
|---------|-----------------|------------------------|-------------------|---|----------|
| H10     | 93              | 0                      | MSPI2_9           | MSPI Master 2 Interface Signal          | I/O      |
|         |                 | 1                      | -                 | -                                       | -        |
|         |                 | 2                      | -                 | -                                       | -        |
|         |                 | 3                      | GPIO93            | General purpose I/O                     | I/O      |
|         |                 | 4                      | -                 | -                                       | -        |
|         |                 | 5                      | -                 | -                                       | -        |
|         |                 | 6                      | CT93              | Timer/counter 89                        | Output   |
|         |                 | 7                      | NCE93             | IOMSTR/MSPI N Chip Select 93            | Output   |
|         |                 | 8                      | -                 | -                                       | -        |
|         |                 | 9                      | VCMPO             | Output of the voltage comparator signal | -        |
|         |                 | 10                     | -                 | -                                       | -        |
|         |                 | 11                     | FPIO93            | Fast PIO                                | -        |
| J6      | 94              | 0                      | -                 | -                                       | -        |
|         |                 | 1                      | -                 | -                                       | -        |
|         |                 | 2                      | -                 | -                                       | -        |
|         |                 | 3                      | GPIO94            | General purpose I/O                     | I/O      |
|         |                 | 4                      | -                 | -                                       | -        |
|         |                 | 5                      | -                 | -                                       | -        |
|         |                 | 6                      | CT94              | Timer/counter 89                        | Output   |
|         |                 | 7                      | NCE94             | IOMSTR N Chip Select 94                 | Output   |
|         |                 | 8                      | -                 | -                                       | -        |
|         |                 | 9                      | VCMPO             | Output of the voltage comparator signal | -        |
|         |                 | 10                     | -                 | -                                       | -        |
|         |                 | 11                     | FPIO94            | Fast PIO                                | -        |
| J5      | 95              | 0                      | -                 | -                                       | -        |
|         |                 | 1                      | -                 | -                                       | -        |
|         |                 | 2                      | -                 | -                                       | -        |
|         |                 | 3                      | GPIO95            | General purpose I/O                     | I/O      |
|         |                 | 4                      | -                 | -                                       | -        |
|         |                 | 5                      | -                 | -                                       | -        |
|         |                 | 6                      | CT95              | Timer/counter 89                        | Output   |
|         |                 | 7                      | NCE95             | IOMSTR N Chip Select 95                 | Output   |
|         |                 | 8                      | -                 | -                                       | -        |
|         |                 | 9                      | -                 | -                                       | -        |
|         |                 | 10                     | -                 | -                                       | -        |
|         |                 | 11                     | FPIO95            | Fast PIO                                | -        |

Table 1: Pin List and Function Table

| BGA PIN | GPIO Pad Number | Function Select Number | Pad Function Name | Description             | Pin Type |
|---------|-----------------|------------------------|-------------------|-------------------------|----------|
| H5      | 96              | 0                      | -                 | -                       | -        |
|         |                 | 1                      | -                 | -                       | -        |
|         |                 | 2                      | -                 | -                       | -        |
|         |                 | 3                      | GPIO96            | General purpose I/O     | I/O      |
|         |                 | 4                      | -                 | -                       | -        |
|         |                 | 5                      | -                 | -                       | -        |
|         |                 | 6                      | CT96              | Timer/counter 89        | Output   |
|         |                 | 7                      | NCE96             | IOMSTR N Chip Select 96 | Output   |
|         |                 | 8                      | -                 | -                       | -        |
|         |                 | 9                      | -                 | -                       | -        |
|         |                 | 10                     | -                 | -                       | -        |
|         |                 | 11                     | FPIO96            | Fast PIO                | -        |
| G5      | 97              | 0                      | -                 | -                       | -        |
|         |                 | 1                      | -                 | -                       | -        |
|         |                 | 2                      | -                 | -                       | -        |
|         |                 | 3                      | GPIO97            | General purpose I/O     | I/O      |
|         |                 | 4                      | -                 | -                       | -        |
|         |                 | 5                      | -                 | -                       | -        |
|         |                 | 6                      | CT97              | Timer/counter 89        | Output   |
|         |                 | 7                      | NCE97             | IOMSTR N Chip Select 97 | Output   |
|         |                 | 8                      | -                 | -                       | -        |
|         |                 | 9                      | -                 | -                       | -        |
|         |                 | 10                     | -                 | -                       | -        |
|         |                 | 11                     | FPIO97            | Fast PIO                | -        |
| H4      | 98              | 0                      | -                 | -                       | -        |
|         |                 | 1                      | -                 | -                       | -        |
|         |                 | 2                      | -                 | -                       | -        |
|         |                 | 3                      | GPIO98            | General purpose I/O     | I/O      |
|         |                 | 4                      | -                 | -                       | -        |
|         |                 | 5                      | -                 | -                       | -        |
|         |                 | 6                      | CT98              | Timer/counter 89        | Output   |
|         |                 | 7                      | NCE98             | IOMSTR N Chip Select 98 | Output   |
|         |                 | 8                      | -                 | -                       | -        |
|         |                 | 9                      | -                 | -                       | -        |
|         |                 | 10                     | -                 | -                       | -        |
|         |                 | 11                     | FPIO98            | Fast PIO                | -        |

Table 1: Pin List and Function Table

| BGA PIN | GPIO Pad Number | Function Select Number | Pad Function Name | Description              | Pin Type |
|---------|-----------------|------------------------|-------------------|--------------------------|----------|
| J4      | 99              | 0                      | -                 | -                        | -        |
|         |                 | 1                      | -                 | -                        | -        |
|         |                 | 2                      | -                 | -                        | -        |
|         |                 | 3                      | GPIO99            | General purpose I/O      | I/O      |
|         |                 | 4                      | -                 | -                        | -        |
|         |                 | 5                      | -                 | -                        | -        |
|         |                 | 6                      | CT99              | Timer/counter 89         | Output   |
|         |                 | 7                      | NCE99             | IOMSTR N Chip Select 99  | Output   |
|         |                 | 8                      | -                 | -                        | -        |
|         |                 | 9                      | -                 | -                        | -        |
|         |                 | 10                     | -                 | -                        | -        |
|         |                 | 11                     | FPIO99            | Fast PIO                 | -        |
| G3      | 100             | 0                      | -                 | -                        | -        |
|         |                 | 1                      | -                 | -                        | -        |
|         |                 | 2                      | -                 | -                        | -        |
|         |                 | 3                      | GPIO100           | General purpose I/O      | I/O      |
|         |                 | 4                      | -                 | -                        | -        |
|         |                 | 5                      | -                 | -                        | -        |
|         |                 | 6                      | CT100             | Timer/counter 89         | Output   |
|         |                 | 7                      | NCE100            | IOMSTR N Chip Select 100 | Output   |
|         |                 | 8                      | -                 | -                        | -        |
|         |                 | 9                      | -                 | -                        | -        |
|         |                 | 10                     | -                 | -                        | -        |
|         |                 | 11                     | FPIO100           | Fast PIO                 | -        |
| H3      | 101             | 0                      | -                 | -                        | -        |
|         |                 | 1                      | -                 | -                        | -        |
|         |                 | 2                      | -                 | -                        | -        |
|         |                 | 3                      | GPIO101           | General purpose I/O      | I/O      |
|         |                 | 4                      | -                 | -                        | -        |
|         |                 | 5                      | -                 | -                        | -        |
|         |                 | 6                      | CT101             | Timer/counter 89         | Output   |
|         |                 | 7                      | NCE101            | IOMSTR N Chip Select 101 | Output   |
|         |                 | 8                      | -                 | -                        | -        |
|         |                 | 9                      | -                 | -                        | -        |
|         |                 | 10                     | -                 | -                        | -        |
|         |                 | 11                     | FPIO101           | Fast PIO                 | -        |

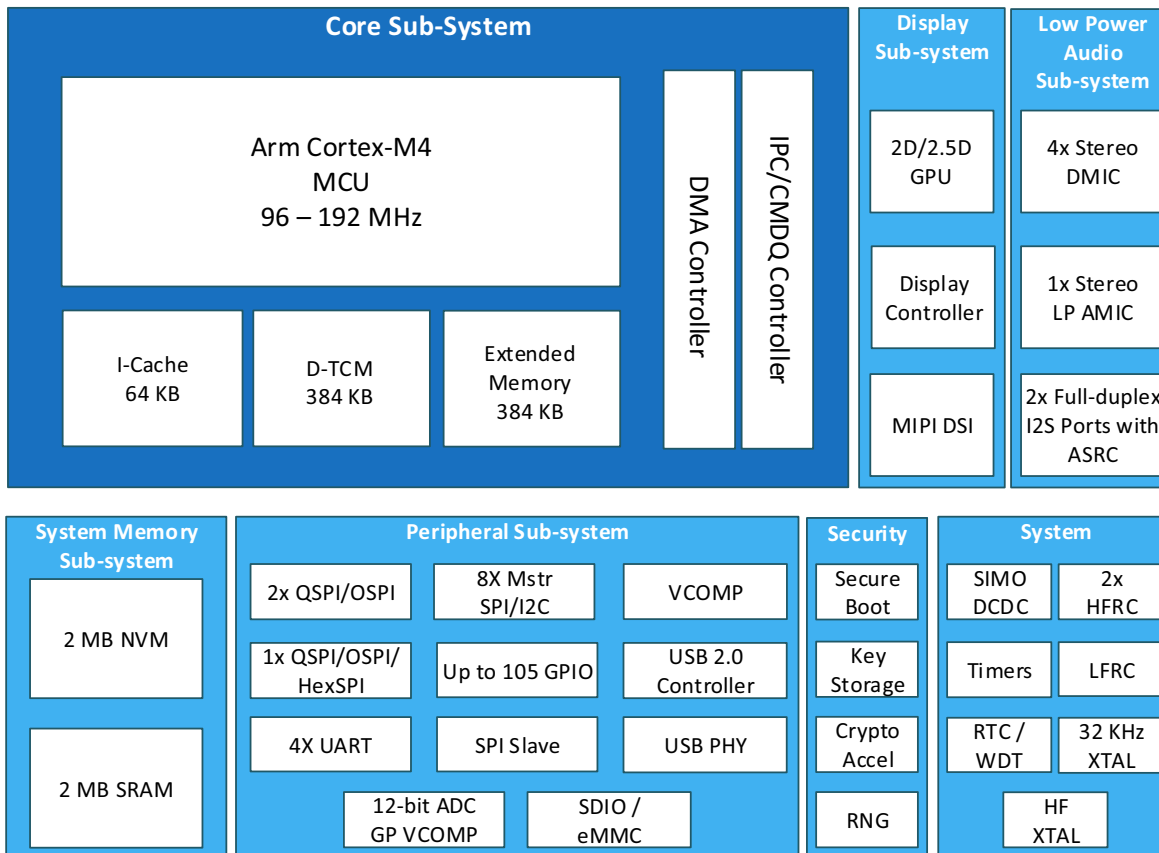


Table 1: Pin List and Function Table

| BGA PIN | GPIO Pad Number | Function Select Number | Pad Function Name | Description              | Pin Type |
|---------|-----------------|------------------------|-------------------|--------------------------|----------|
| G2      | 102             | 0                      | -                 | -                        | -        |
|         |                 | 1                      | -                 | -                        | -        |
|         |                 | 2                      | -                 | -                        | -        |
|         |                 | 3                      | GPIO102           | General purpose I/O      | I/O      |
|         |                 | 4                      | -                 | -                        | -        |
|         |                 | 5                      | -                 | -                        | -        |
|         |                 | 6                      | CT102             | Timer/counter 89         | Output   |
|         |                 | 7                      | NCE102            | IOMSTR N Chip Select 102 | Output   |
|         |                 | 8                      | -                 | -                        | -        |
|         |                 | 9                      | -                 | -                        | -        |
|         |                 | 10                     | -                 | -                        | -        |
|         |                 | 11                     | FPIO102           | Fast PIO                 | -        |
| H2      | 103             | 0                      | -                 | -                        | -        |
|         |                 | 1                      | -                 | -                        | -        |
|         |                 | 2                      | -                 | -                        | -        |
|         |                 | 3                      | GPIO103           | General purpose I/O      | I/O      |
|         |                 | 4                      | -                 | -                        | -        |
|         |                 | 5                      | -                 | -                        | -        |
|         |                 | 6                      | CT103             | Timer/counter 89         | Output   |
|         |                 | 7                      | NCE103            | IOMSTR N Chip Select 103 | Output   |
|         |                 | 8                      | -                 | -                        | -        |
|         |                 | 9                      | -                 | -                        | -        |
|         |                 | 10                     | -                 | -                        | -        |
|         |                 | 11                     | FPIO103           | Fast PIO                 | -        |
| J2      | 104             | 0                      | -                 | -                        | -        |
|         |                 | 1                      | -                 | -                        | -        |
|         |                 | 2                      | -                 | -                        | -        |
|         |                 | 3                      | GPIO104           | General purpose I/O      | I/O      |
|         |                 | 4                      | -                 | -                        | -        |
|         |                 | 5                      | -                 | -                        | -        |
|         |                 | 6                      | CT104             | Timer/counter 89         | Output   |
|         |                 | 7                      | NCE104            | IOMSTR N Chip Select 104 | Output   |
|         |                 | 8                      | -                 | -                        | -        |
|         |                 | 9                      | -                 | -                        | -        |
|         |                 | 10                     | -                 | -                        | -        |
|         |                 | 11                     | FPIO104           | Fast PIO                 | -        |

**Blank Page**

## 2. SoC Product Introduction



**Figure 2. Apollo4 Plus SoC Block Diagram**

The Apollo4 Plus SoC is an ultra-low power, highly integrated mixed-signal SoC designed for battery-powered devices. The SoC provides a significant enhancement in processing capability and highly integrated power management and audio capabilities to the Apollo SoC product family. The Apollo4 Plus SoC brings the powerful Arm Cortex-M4 processor with Floating Point Unit coupled with the world's lowest power audio and communications processing. The Apollo4 Plus SoC takes Ambiq's patented Subthreshold Power Optimized Technology (SPOT) Platform to a whole new level of compute power efficiency, setting new industry benchmarks in low power design and high efficiency portable computing.

## 2.1 Features

### Ultra-low supply current:

- 4  $\mu$ A/MHz active mode current
- Low-power sleep and deep sleep modes with selectable levels of RAM/cache retention

### High-performance Arm Cortex-M4F processor:

- 96/192 MHz operating modes
- Floating Point Unit
- Memory Protection Unit
- Wake-up interrupt controller for all interrupts
- Secure boot

### Ultra-low power Memory:

- Up to 2.75 MB of low leakage / low power RAM for code/data
- 64 kB 2-way Associative/Direct-Mapped Cache per core
- 384 kB (Arm M4) Tightly Coupled RAM
- 384 kB Extended RAM
- Up to 2 MB of non-volatile memory (NVM) for code/data

### Ultra-low power interface for off-chip sensors:

- 8-bit, 10-bit and 12-bit ADC modes
- 11 selectable input channels available
- Voltage Comparator
- Temperature sensor with  $\pm 3^{\circ}\text{C}$  accuracy

### Flexible serial peripherals:

- 2x QSPI / OSPI; 1x QSPI / OSPI / HexSPI
- 8x I<sup>2</sup>C / SPI masters for peripheral communication
- I<sup>2</sup>C / SPI slave for host communications
- 4x UART modules with 32-location TX and RX FIFOs
- USB 2.0 HS/FS device controller
- SDIO (SD3.0) / eMMC (v4.51)

### Display:

- LCD Controller
- MIPI DSI 1.2 with 2 data lanes up to 500 Mbps
- 500 x 500 4 layers with full alpha blending
- Frame buffer decompression

### Graphics:

- 2D/2.5D graphics accelerator
- Rasterizer
- Full Alpha Blending

- Texture Mapping
- Extended GPU bandwidth
- Anti-Aliasing hardware acceleration
- Dithering support
- Low-level vector graphics processing

**Audio processing:**

- Stereo low-power analog microphones
- 4x stereo digital microphones
- 2x full duplex I<sup>2</sup>S ports with ASRC
- Digital filtering
- Ultra low power voice and keyword detect

**Rich set of clock sources:**

- 32.768 kHz XTAL oscillator
- 32 MHz XTAL oscillator
- Low frequency RC oscillator – 900 Hz
- 2x high frequency RC oscillators – 192/384 MHz
- RTC based on Ambiq's AM08X5/18X5 families

**Power Management:**

- Operating Voltage: 1.71 - 2.2 V
- SIMO DC-DC buck converter
- Multiple I/O voltages supported

**Operating Temperature Range:**

- -20°C to 60°C

## 2.2 Functional Overview

The ultra-low power Apollo4 Plus SoC, shown in Figure 4, is an ideal solution for battery-powered applications supporting mid-tier to high-end wearables and IoT products. In a typical system, the device serves as an applications processor with a fully integrated audio subsystem. The SoC includes an extensive set of digital and analog peripheral interfaces with integrated ADCs and digital sensor processing using the integrated serial master ports. The Cortex-M4 core with Floating Point Unit (referred to throughout this document as “M4”, “M4 Core” or “Cortex-M4”) integrated in the Apollo4 Plus SoC is capable of running complex data analysis, sensor fusion algorithms to process the sensor data and orchestrate complex audio processing signal flows. The Cortex-M4 core leverages the broad development and support ecosystem to accelerate time-to-market for application and product deployment.

In other configurations, a host processor can communicate with the Apollo4 Plus SoC over its serial slave port using the SPI or I<sup>2</sup>C protocol. With unprecedented energy efficiency for sensor conversion, audio processing and data analysis, the SoC enables months and years of battery life for products only achieving days or months of battery life today. Similarly, the SoC enables the use of significantly complex algorithmic processing due to its industry leading low active mode power. By using the Apollo4 Plus SoC, uncompromised user experience with truly always on sensor and audio processing is brought to life.

The Apollo4 Plus SoC provides support for various operating modes to maximize energy efficiency depending on the workload demand. For extremely power sensitive workloads, the SoC supports low power operating modes leveraging Ambiq's patented SPOT technology to achieve industry leading energy efficiency. For timing critical or higher MIPS workloads, the SoC supports high performance operating modes through Ambiq's TurboSPOT™ technology. The TurboSPOT technology enables high performance while still maintaining extremely high energy efficiency operation. The SoC also supports secure boot using Ambiq's SecureSPOT™ technology enabling applications to establish and maintain a root of trust from boot to execution.

A rich set of sensor peripherals enable the monitoring of several sensors. An integrated temperature sensor enables the measurement of ambient temperature. A scalable ultra-low power Successive Approximation Register (SAR) Analog-to-Digital Converter (ADC) monitors the temperature sensor, several internal voltages, and up to eight external sensor signals. The General Purpose ADC is uniquely tuned for minimum power with a configurable measurement mode that does not require MCU intervention. In addition to integrated analog sensor peripherals, I<sup>2</sup>C/SPI master ports and/or UART ports enables the SoC to communicate with external sensors that have digital outputs.

The Apollo4 Plus SoC integrates an audio subsystem supporting four stereo PDM microphones, a pair of stereo Low Power Analog microphones, two I<sup>2</sup>S master/slave ports and ASRC support.

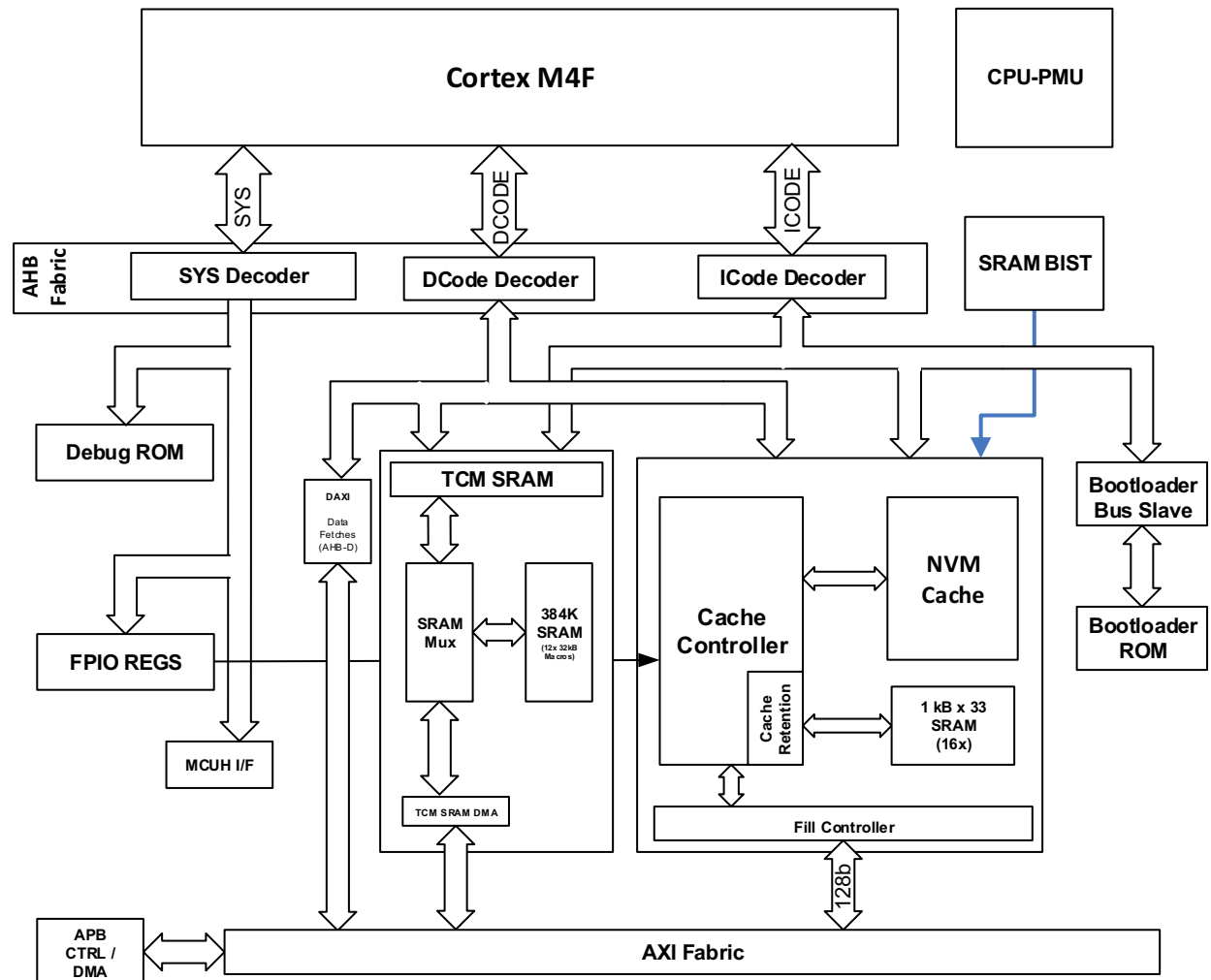
For higher bandwidth peripherals, the SoC supports three Multi-bit SPI (MSPI) controllers for 1-bit, 2-bit, 4-bit (QuadSPI) and 8-bit (OctalSPI) data with one MSPI controller capable of up to 16-bit data (three MSPI controllers total).

The SoC also includes a set of timing peripherals and an RTC which is based on Ambiq's AM08XX and AM18XX Real-Time Clock (RTC) families. The general purpose Timer/Counter Module (TIMER), 32-bit System Timer (STIMER), and the RTC may be driven independently by one of three different clock sources: a low frequency RC oscillator, a high frequency RC oscillator, a high frequency crystal (XTAL) oscillator and a 32.768 kHz crystal (XTAL) oscillator. These clock sources use the proprietary advanced calibration techniques developed for the AM08XX and AM18XX products that achieve XTAL-like accuracy with RC-like power.

Additionally, the Apollo4 Plus SoC includes clock reliability functions first offered in the AM08XX and AM18XX products. For example, the RTC can automatically switch from an XTAL source to an RC source in the event of an XTAL failure. the SoC supports highly optimized PWM pattern generation for complex, efficient stepper motor control operation. Up to 8 independent motors can be controlled from the SoC supporting several different operating modes.

To facilitate development and debug, the Apollo4 Plus SoC is supported by a complete suite of standard software development tools. Ambiq provides drivers for all peripherals along with basic application code to shorten development time. The debug functions are accessible via Serial Wire Debugger (SWD).

### 3. MCU Core



**Figure 3. Apollo4 Plus SoC Core Block Diagram**

Please refer to the MCUCTRL, PWRCTRL, CPU, ITM and other registers applicable to this chapter in the Apollo4 Plus SoC register set. The register set for this SoC is delivered as part of the AmbiqSuite SDK. Also available and should be referenced and understood are the Apollo4 Family Programmer's Guide and the Errata List document specific to this Apollo4 family member.

#### 3.1 Functional Overview

As can be seen in Figure 3, at the center of the Apollo4 Plus SoC is a 32-bit Arm Cortex-M4 (CM4) core with the floating point option. This 3-stage pipeline implementation of the Arm v7-M architecture offers highly efficient processing in a very low power design. The Arm M DAP enables debugging access via a Serial Wire Interface from outside of the SoC which allows access to all of the memory and peripheral devices of the SoC.

The M4 core offers some other advantages including:

- Single 4 GB memory architecture with all Peripherals being memory-mapped



- Low-Power Consumption Modes:
  - Active
  - Sleep
  - Deep-Sleep
  - Power-Off
- Interrupts and Events
  - NVIC – interrupt controller
  - WIC – Wake-Up Interrupt Controller
  - Sleep-on-Exit (reduces interrupt overhead, used in an ISR SW structure)
  - WFI (enter sleep modes, wait for interrupts)

The Cortex-M4 processor supports the ARMv7 Protected Memory System Architecture (PMSA) that provides programmable support for memory protection using a number of software controllable regions. Memory regions can be programmed to generate faults when accessed inappropriately by unprivileged software reducing the scope of incorrectly written application code. The architecture includes fault status registers to allow an exception handler to determine the source of the fault and to apply corrective action or notify the system.

Reference the “Arm Cortex-M4 Processor Technical Reference Manual” for more details.

The following sections provide behavioral and performance details about each of the peripherals controlled by the MCU core. Where multiple instances of a peripheral exist on Apollo4 Plus SoC (e.g., the eight I<sup>2</sup>C/SPI master modules), base memory addresses for the registers are provided for each and noted as INSTANCE 0, INSTANCE 1, etc.

## 3.2 CPU Subsystem

The CPU subsystem (or CPU complex) is composed of an Arm Cortex-M4 CPU, NVM cache, tightly coupled data memory, interrupt and debug logic as well as the associated power management control for the subsystem. The subsystem has the following features:

- Cortex-M4 with Floating Point Unit
- ARMv7 ISA
- Operating Modes
  - 96 MHz Low Power Mode
  - 192 MHz TurboSPOT Enhanced Mode
- WIC supported
- MPU: 8 regions
- Debug
  - Embedded Trace Macrocell (ETM) supported
  - 4x data watch-point comparators and 8x breakpoint comparators
  - ITM/DWT supported
  - Multi-core break support
- CPU Power Management block
- 64 kB NVM Cache
- 384 kB Data TCM

The CPU complex has 64 kB of Non-Volatile Memory (NVM) caching (instruction and data accesses issued to the NVM space) as well as 384 kB of local data Tightly Coupled Memory (TCM). In addition, the CPU has access to 2048 kB of shared system SRAM, 2 MB of internal NVM and up to 384 kB of extended SRAM. All of the memory is memory mapped and accessible to the CPU. All of the memory accesses are qualified based on the memory protection attributes (enforced within the M4) and the system memory protection attributes (enforced within the system memory controllers).

### 3.3 Interrupts

Within the SoC, multiple peripherals can generate interrupts. In some cases, a single peripheral may be able to generate multiple different interrupts. Each interrupt signal generated by a peripheral is connected back to the M4 core in two places. First, the interrupts are connected to the Nested Vectored Interrupt Controller, NVIC, in the core. This connection provides the standard changes to program flow associated with interrupt processing. Additionally, they are connected to the WIC outside of the core, allowing the interrupt sources to wake the M4 core when it is in a deep sleep (SRPG) mode.

For details on the Interrupt model of the M4, please see the “**Cortex-M4 Devices Generic User Guide,**” document number DUI0553A. Note that the M4 NMI type interrupts are not supported.

The Cortex-M4 allows the user to assign various interrupts to different priority levels based on the requirements of the application. In this SoC implementation, 8 different priority levels are available.

One additional feature of the M4 interrupt architecture is the ability to relocate the Vector Table to a different address. This could be useful if the application requires a different set of interrupt service routines for a particular mode of an application. The software could move the Vector Table into SRAM and reassign the interrupt service routine entry addresses as needed.

### 3.4 Memory Map

Arm has a well-defined memory map for devices based on the Arm v7-M Architecture. The M4 further refines this map in the area of the Peripheral and System address ranges. Below is the system memory map as defined by Arm:

**Table 2: Arm Cortex-M4 Memory Map**

| Address                 | Name                   | Executable | Description  |
|-------------------------|------------------------|------------|--|
| 0x00000000 – 0x1FFFFFFF | Code                   | Y          | Internal NVM (NVM)   |
| 0x20000000 – 0x3FFFFFFF | Reserved               | N          | Reserved   |
| 0x40000000 – 0x5FFFFFFF | Peripheral             | N          | On-chip peripheral address space   |
| 0x60000000 – 0x9FFFFFFF | External RAM           | Y          | External / Off-chip Memory   |
| 0xA0000000 – 0xDFFFFFFF | External Device        | N          | External device memory   |
| 0xE0000000 – 0xE0FFFFFF | Private Peripheral Bus | N          | <p>NVIC, System timers, System Control Block</p> <p>Reserved for system control and debug.</p> <p>Cannot be used for exception vector tables. Data accesses are either performed internally or on EPPB. Accesses in the range:</p> <p>0xE0000000-0xE0043FFF<br/>Are handled within the processor.</p> <p>0xE0044000-0xE0FFFFFF<br/>Appear as APB transactions on the EPPB interface of the processor.</p> <p>Any attempt to execute instructions from the region results in a MemManage fault.</p> |
| 0xE0100000 – 0xFFFFFFFF | Vendor_SYS             | N          | <p>Vendor Defined</p> <p>Partly reserved for future processor feature expansion.</p> <p>Any attempt to execute instructions from the region results in a MemManage fault.</p> <p>Data accesses are performed on S-AHB</p>  |

### 3.5 Memory Protection Unit (MPU)

The Apollo4 Plus SoC includes an MPU which is a core component for memory protection. The M4 processor supports the standard ARMv7 *Protected Memory System Architecture* model. The MPU provides full support for:

- Protection regions.
- Access permissions
- Exporting memory attributes to the system.

MPU mismatches and permission violations invoke the MemManagehandler. See the Arm<sup>®</sup>v7-M Architecture Reference Manual for more information.

You can use the MPU to:

- Enforce privilege rules.
- Separate processes.
- Enforce access rules.

The Apollo4 Plus SoC supports up to 8 memory regions.

### 3.6 System Buses

The Arm Cortex-M4 utilizes 3 instances of the AMBA AHB bus for communication with memory and peripherals. The ICode bus is designed for instruction fetches from the 'Code' memory space while the DCode bus is designed for data and debug accesses in that same region. The System bus is designed for fetches to the SRAM and other peripheral devices of the SoC.

The Apollo4 Plus SoC maps the available SRAM memory onto an address space within the 'Code' memory space. This gives the user the opportunity to perform instruction and data fetches from the lower-power SRAM to effectively lower the power consumption of the SoC.

The peripherals of the Apollo4 Plus SoC which are infrequently accessed are located on an AMBA APB bus. A bridge exists which translates the accesses from the System AHB to the APB. Accesses to these peripherals will inject a single wait-state on the AHB during any access cycle.

More information about system buses can be found in "Memory Subsystem" on page 69.

## 3.7 Power Management

The power management is partitioned into several components across Apollo4 Plus SoC. For the CPU complex, a dedicated finite-state machine controls the transitions of the CPU between power modes. When moving from Active Mode to Deep Sleep Mode, the CPU-PMU manages the state-retention capability of the registers within the Cortex-M4 core and also handshakes with the central power management controller to appropriately handle the voltage rails to the CPU complex. Once in the Deep Sleep Mode, the CPU-PMU, in conjunction with the Wake-Up Interrupt Controller, waits for a wakeup event. When the event is observed, the CPU-PMU begins the power restoration process by handshaking with the central power management controller to adjust the voltage rails to the CPU complex and initiate the restoration of the CPU register state. The M4 is then returned to active mode once the state is ready.

### 3.7.1 Cortex-M4 Power Modes - Overview

The Arm Cortex-M4 supports the following 4 power modes:

- High Performance Active (not a differentiated power mode for the Cortex-M4)
- Active
- Sleep
- Deep Sleep

In addition to these Arm-defined modes, the Apollo4 Plus SoC supports system level power modes which are defined in subsequent sections.

#### 3.7.1.1 High Performance Mode

The Apollo4 Plus SoC supports the Ambiq TurboSPOT™ which enables a higher frequency, high performance operating mode (HP Mode). In this mode, the M4 and all closely coupled memory run at an elevated frequency. All of the non-debug Arm clocks (FCLK, HCLK) also operate at the elevated frequency level. All peripherals are maintained at the nominal frequency level during burst. This mode is entered and exited under software direction but transitions are completely handled in hardware.

This is not a standard Arm-defined power mode. From the Arm core, this mode is treated similarly to “Active Mode”.

#### NOTE

The use of Internal LDO Mode is restricted to only Low Power (LP) Mode. SIMO Buck Mode must be used if using High Performance (HP) Mode.

#### 3.7.1.2 Active Mode

In the Active Mode, the M4 core is powered up, clocks are active, and instructions are being executed. In this mode, the M4 expects all (enabled) devices attached to the interfaces to be powered and clocked for normal access. All of the non-debug Arm clocks (FCLK, HCLK) are active in this state.

To transition from the Active Mode to any of the lower-power modes, a specific sequence of instructions is executed on the M4 core. First, specific bits in the ARMv7-M System Control Register must be set to determine the mode to enter. See the ARMv7-M Architecture Reference Manual for more details.

After the SCR is setup, code can enter the low-power states using one of the 3 following methods:

- Execute a Wait-For-Interrupt (WFI) instruction.
- Execute a Wait-For-Event (WFE) instruction.
- Set the SLEEPONEXIT bit of the SCR such that the exit from an ISR will automatically return to a sleep state.

The M4 will enter a low-power mode after one of these are performed (assuming all conditions are met) and remain there until some event causes the core to return to Active Mode. The possible reasons to return to Active Mode are:

- A reset
- An enabled Interrupt is received by the NVIC
- An event is received by the NVIC
- A Debug Event is received from the DAP

#### NOTE

Various aspects of the Arm Cortex-M4 core, including operation and interrupt handling of the system counter, SysTick, are SoC specific. For Apollo4 family SoCs during Deep Sleep Mode, SysTick is completely powered down, and in normal Sleep Mode the clocks are gated off. In either case, the SysTick counter is not running and therefore cannot be used to wake the CPU.

When the CPU enters a sleep mode, the CPU clock is gated off. Normally there is a free-run clock to keep the Wake-Up Interrupt Controller (WIC) and/or the Nested Vectored Interrupt Controller (NVIC) running. But for power saving purposes, this “free-running” clock is gated off in both sleep modes, and can be resumed when external interrupts are received.

In the case of SysTick, its interrupt is generated by the SysTick counter, which is clocked by this “free-running” clock. Since this clock is gated off, the counter stops and cannot generate an interrupt.

However, when a debugger is attached, the clock is running and the SysTick interrupt can be generated.

### 3.7.1.3 Sleep Mode

In the Sleep Mode, the M4 is powered up, but the clocks (HCLK, FCLK) are gated. The power supply is still applied to the M4 logic such that it can immediately become active on a wake-up event and begin executing instructions.

### 3.7.1.4 Deep Sleep Mode

In the Deep Sleep Mode, the M4 enters SRPG mode where the main power is removed, but the flops retain their state. The clocks are not active, and the SoC clock sources for HCLK and FCLK can be deactivated. To facilitate the removal of the source supply and entry into SRPG mode, the M4 will handshake with the Wake-up Interrupt Controller and Power Management Unit and set up the possible wake-up conditions.

## 3.7.2 CPU Power Management

Power Management on the Apollo4 Plus SoC is handled through a combination of hardware and software. The hardware handles the interfacing and control sequencing between the regulators and the individual power domains within the SoC. The software initiates transitions through power states by processor instructions and system-level power control commands.

The Power Management system is composed of a central power management controller and various power management units (PMU) for each primary subsystem/domain. The primary PMUs are listed below:

- CPU-PMU: responsible for power sequencing for the CPU subsystem
- IO-PMU: responsible for power sequencing at each I/O subsystem



### 3.7.2.1 CPU-PMU

When moving from Active Mode to Deep Sleep Mode, the CPU-PMU manages the state-retention capability of the registers within the Cortex-M4 core and also controls the interface to the voltage regulators as needed to support the various operating modes of the CPU. Once in the Deep Sleep Mode, the CPU-PMU, in conjunction with the Wake-Up Interrupt Controller, waits for a wake-up event. When the event is observed, the CPU-PMU begins the power restoration process by re-enabling the on-chip voltage regulators and restoring the CPU register state. The M4 is then returned to active mode once all state is ready.

The CPU-PMU enables support for the following Arm Cortex-M4 defined power modes:

- OFF
- Deep Sleep
- Sleep
- Active
  - Low Power / High Efficiency: 96 MHz
  - High Performance: 192 MHz

### 3.7.2.2 IO-PMU

The IO-PMUs manage power state for I/O subsystems. Each I/O subsystem supports the following power modes. Note that each I/O subsystem may have a different implementation that defines each specific power state. This is implementation-specific to each I/O controller. Also, not all power modes may be supported by each IO-PMU (typical configuration may support only OFF and Active LP).

- OFF
- Sleep (device is enabled but no active transactions)
- Active

### 3.7.2.3 Power Management Controller

The power management controller provides control functions for each supply regulator as well as the primary power gates under digital logic control. The power management controller (PWRCTL) receives input from all PMUs indicating requested power levels and also controls from software (via power management control registers). A power management mapping configuration is also provided (sourced from INFO1 shadowed to PWRCTL) which dictates the functional operation at the regulator interface based on the input power requests. This mapping configuration allows the power management functionality to be programmatic, enabling characterization, tuning and/or bug fixes.

Following are the supply regulator interfaces:

- SIMO Buck
- Core LDO
- Mem LDO

#### NOTE

The use of Internal LDO Mode is restricted to only Low Power (LP) Mode. SIMO Buck Mode must be used if using High Performance (HP) Mode.

PWRCTL is also responsible for controlling power gate enables for all digital power domains. The power gate enables are controlled based on the power level requests. When an “OFF” level is requested from the respective requester PMU or a software override is asserted to force a requester “OFF” or, for I/O requesters, when the corresponding I/O device enable is de-asserted, the respective power gate enable is

asserted to power off the domain. For all other power level requests, the power gate is disabled powering up the respective domain.

SRAM and NVM power domains are controlled based on the dependent requester domains. For NVM, if all CPU PMU requesters are “OFF” and DMA requesters are “OFF” or “Sleep”, the NVM power domain is powered OFF. For SRAM, each SRAM is powered OFF either based on the SKU memory configuration or if all CPU PMU requesters are “OFF” and DMA requesters are “OFF” or “Sleep” and the SRAM is enabled to power off based on the power control MEMPWDINSLEEP configuration.

### 3.7.2.4 System Power States

At the SoC level, various power states are supported to enable key workloads and ensure maximum power efficiency. System power states are defined in the sub-sections below.

If any memory is retained through one of the deep sleep modes described below, a portion of the 384 kB of local data Tightly Coupled Memory (TCM) is assumed to be used for any necessary memory retention. In addition to retaining a portion of the TCM, half or all of the shared SRAM can be retained as well (via the PWRCTRL\_SSRAMRETCFG\_SSRAMPWDSLP field). Power draw is increased with increased TCM or SRAM retained in these low power modes.

The amount of TCM memory retained in deep sleep is user settable by selecting from several options in the PWRCTRL\_MEMRETCFG\_DTCMPWDSLP field. Selectable TCM memory sizes to be retained include none, 8, 120, 128, 256, 376 and all 384 kB.

SRAM cache memory is powered down in deep sleep mode by setting the PWRCTRL\_MEMRETCFG\_CACHEPWDSLP bit. This would *not* be done if the SRAM bank is used as the target for DMA transfer while the CPU in deep sleep.

NVM is powered down by setting the PWRCTRL\_MEMRETCFG\_NVM0PWDSLP bit.

#### 3.7.2.4.1 SYS Active ( $S_{ACT}$ )

The CPU is in one of the Active Modes and executing instructions. All respective memory and I/O devices are powered ON and available as needed.

#### 3.7.2.4.2 SYS Sleep Mode 0 ( $S_{S0}$ )

SYS Sleep Mode 0 can be entered if all processor cores are in sleep mode or deeper sleep state. In SYS Sleep Mode 0, this is a low power state for the SoC. In this mode, all *enabled* TCM, and SRAM and extended memory is retained (up to 2.75 MB), NVM is in standby, HFRC is on, main core clock domain(s) is gated but peripheral clock domains can be on.

This state can be entered if a peripheral device (such as SPI, UART, I<sup>2</sup>C or MSPI) is actively transferring data and the time window is sufficient for the processor(s) to enter Sleep Mode but is not long enough to go into a Deep Sleep Mode.

#### 3.7.2.4.3 SYS Sleep Mode 1 ( $S_{S1}$ )

SYS Sleep Mode 1 can be entered if all processor cores are in sleep mode or deeper sleep state and all peripheral devices are idle. In this mode, all *enabled* TCM, and SRAM and extended memory is retained (up to 2.75 MB), NVM is in standby, HFRC is on, all functional clocks are gated.

This state can be entered if a no peripheral device (such as SPI, UART, I<sup>2</sup>C, or MSPI) is actively transferring data, however, communication may occur within a short time window which will prevent the processor(s) from entering Deep Sleep Mode (and subsequently the system from entering a lower power state).

This state is also referred to as “Active Idle”. In other words, all power domains can be powered on, but all clocks are gated. This state is a good power baseline for the system as it represents the active mode DC power level. Typically, the power in this state is dominated by leakage and always-on functional blocks.

#### **3.7.2.4.4 SYS Deep Sleep Mode 0 ( $S_{DS0}$ )**

In SYS Deep Sleep Mode 0, this is a deep low power state for the SoC. In this mode, all processors are in Deep Sleep mode or are powered OFF. All SRAM is in retention (capacity controlled by software), cache memory is in retention, NVM is in power down, HFRC is on, main processor power domains are off but peripheral power domains can be on. ADC sampling without CPU interaction may occur.

This state can be entered if a peripheral device (such as SPI, UART, I<sup>2</sup>C or MSPI) is actively (or intermittently) transferring data but the window of acquisition is long enough to allow the processor to go into a deeper low power state.

#### **3.7.2.4.5 SYS Deep Sleep Mode 1 ( $S_{DS1}$ )**

In SYS Deep Sleep Mode 1, this is a deep low power state for the SoC. In this mode, all processors are in Deep Sleep mode or are powered OFF. All SRAM is in retention (capacity controlled by software), cache memory is powered OFF, NVM is in power down, HFRC is on, main processor power domains are off but peripheral power domains can be on. ADC sampling without CPU interaction may occur.

This state can be entered if the latency to warm up the cache can be tolerated. This could be an extended wait for peripheral communication event.

#### **3.7.2.4.6 SYS Deep Sleep Mode 2 ( $S_{DS2}$ )**

In SYS Deep Sleep Mode 2, this is the minimum power state that the processor(s) can resume normal operation. In this mode, minimal SRAM memory is retained as needed for software to resume (note that SRAM can have configurable amount of instances in retention depending on the software/system functional and latency requirements), Cache is powered off (no retention), NVM is in power down, HFRC is off, XTAL is either ON or OFF, all internal switched power domains are off/gated, processors are in Deep Sleep or OFF, and processor logic state is retained. A single timer clocked by LFRC or XTAL can be running.

This state can be entered when all activity has suspended for a duration of time sufficient to sustain the longer exit latencies to resume. This could be a state where periodic data samples are taken and the data is locally processed/accumulated/transferred at long time intervals. This state can only be entered (vs  $S_{DS1}$ ) if the peripheral devices are either not enabled/active or if the application can afford to save/restore the state of the controller(s) on entry/exit of this mode.

#### **3.7.2.4.7 SYS Deep Sleep Mode 3 ( $S_{DS3}$ )**

In SYS Deep Sleep Mode 3, this is a deep sleep power state for the SoC. In this mode, no memory is in retention, all memory is powered down, LFRC is on (HFRC and XTAL are off), all internal switched power domains are off/gated, processors are in deep sleep or OFF, and processor logic state is retained. This state can be entered on long inactivity periods.

#### **3.7.2.4.8 SYS OFF Mode ( $S_{OFF}$ )**

In SYS OFF Mode, SoC is completely powered down with no power supplied. processors are in shutdown mode with no state retention. Only NVM is retained. This mode is controlled external to the SoC by removing power to the device.

## 3.8 Debug Interfaces

The Apollo4 Plus SoC supports the following debug features:

- Embedded Trace Macrocell (ETM)
- Instruction Trace Macrocell (ITM)
- Trace Port Interface Unit (TPIU)
- Multi-core break support

An external debugger can be connected to the SoC using the Arm Serial Wire Debug (SWD) interface or the JTAG interface. The SWD interface is a 2-wire interface that is supported by a variety of off-the-shelf commercial debuggers, enabling customers to utilize their development environment of choice. JTAG is an industry standard interface and adheres to the IEEE 1149.1 specification.

### 3.8.1 Embedded Trace Macrocell (ETM)

This SoC supports hardware instruction tracing via an Embedded Trace Macrocell (ETM). The ETM stream is accessible via APB or TPIU. An Embedded Trace Buffer provides 32 kB of trace buffering.

### 3.8.2 Instrumentation Trace Macrocell (ITM)

For system trace the processor integrates an Instrumentation Trace Macrocell (ITM) alongside data watchpoints and a profiling unit. To enable simple and cost-effective profiling of the system events these generate, a Serial Wire Viewer (SWV) can export a stream of software-generated messages, data trace, and profiling information through a single pin.

### 3.8.3 Trace Port Interface Unit (TPIU)

The Apollo4 Plus SoC includes a Cortex-M4 Trace Port Interface Unit (TPIU), which can be configured to output trace data from the ITM through Serial Wire Output (SWO) or from either ITM or ETM through the TRACEDATA port. SWO is a low-cost, low-bandwidth port which only accepts ITM trace data. The TRACEDATA port accepts both ITM and ETM sources and arbitrates between them. The data width of the TRACEDATA port is configurable to 1, 2 or 4 bits, where the default setting is 4 bits wide.

The Embedded Trace Buffer (ETB) only buffers data from the ETM. This trace data is actually replicated from the data from ETM to TPIU. *Both* ETB and TPIU can be used to trace ETM data (same data), or *either* of the ETB or TPIU trace sinks can be used.

The TRACEDATA port can be clocked up to 192 MHz on the Apollo4 Plus SoC. TRACECLK for the debugger is half the TRACEDATA frequency, or a maximum of 96 MHz.

The MCUCTRL\_DBGCTRL register on the Apollo4 Plus SoC has fields to enable the TPIU (CM4TPIUENABLE) and set its clock frequency (CM4TPIUCLKSEL). Setting the clock frequency to 192 MHz (only) utilizes the HFRC2 clock source which needs to be kept on by setting the CLKGEN\_MISC\_FRCHFRC2 bit.

### 3.8.4 Faulting Address Trapping Hardware

The Apollo4 Plus SoC offers an optional facility for trapping the address associated with bus faults occurring on any of the three AMBA AHB buses on the chip. This facility must be specifically enabled so that energy is not wasted when one is not actively debugging.

## 4. Memory Subsystem

The Apollo4 Plus SoC integrates four kinds of memory:

- SRAM
- Integrated NVM (MRAM) / External Memory via MSPI (with cache)
- Bootloader ROM
- One Time Programmable (OTP) memory

Key features include:

- 2048 kB Shared SRAM
- 384 kB TCM
- 384 kB Extended SRAM
- 2 MB NVM
- 64 kB NVM cache (2-way set-associative/Direct Mapped 128-bit line size)
- 16 kB OTP
  - 2 kB for customer use, including NVM protection fields
- NVM Protection specified in 16 kB Chunks
  - 128 OTP bits specify Write Protected Chunks
  - 128 OTP bits specify Read Protected Chunks
  - A Chunk is Execute Only if Both Corresponding Protection Bits Specified
  - OTP bits Specify Debugger Lock Out State
  - OTP bits Can Protect SRAM Contents From Debugger Inspection
- External flash with XiP (via MSPI) and cache support (up to 64 MB)

### NOTE

MRAM magnetic immunity guidelines are provided to assist with end product design - see "Design Guidelines for Magnetic Immunity" in the Ambiq Content portal - <https://contentportal.ambiq.com>.

### NOTE

Due to an existing erratum, ERR052, a read of MRAM by any master (including CPU) may be corrupted if Crypto is being powered up/down, or if an OTP access is in progress. The application needs to ensure that there are no other masters (CRC, DMA, GPU, etc.) accessing MRAM during Crypto On/Off or Info/OTP access.

## 4.1 Functional Overview

The Apollo4 Plus SoC Integrates up to 2048 kB of on-board NVM and 16 kB of one-time programmable memory. These memories are managed by the APB NVM controller for write operations.

During normal MCU code execution, the NVM Cache Controller translates requests from the CPU core to the NVM Memory instance for instruction and data fetches. The controller is designed to return data in zero wait-states when accesses hit into the cache and can operate up to the maximum operating frequency of the CPU core. On cache misses, the Cache Controller issues miss requests to the NVM Memory Controller.

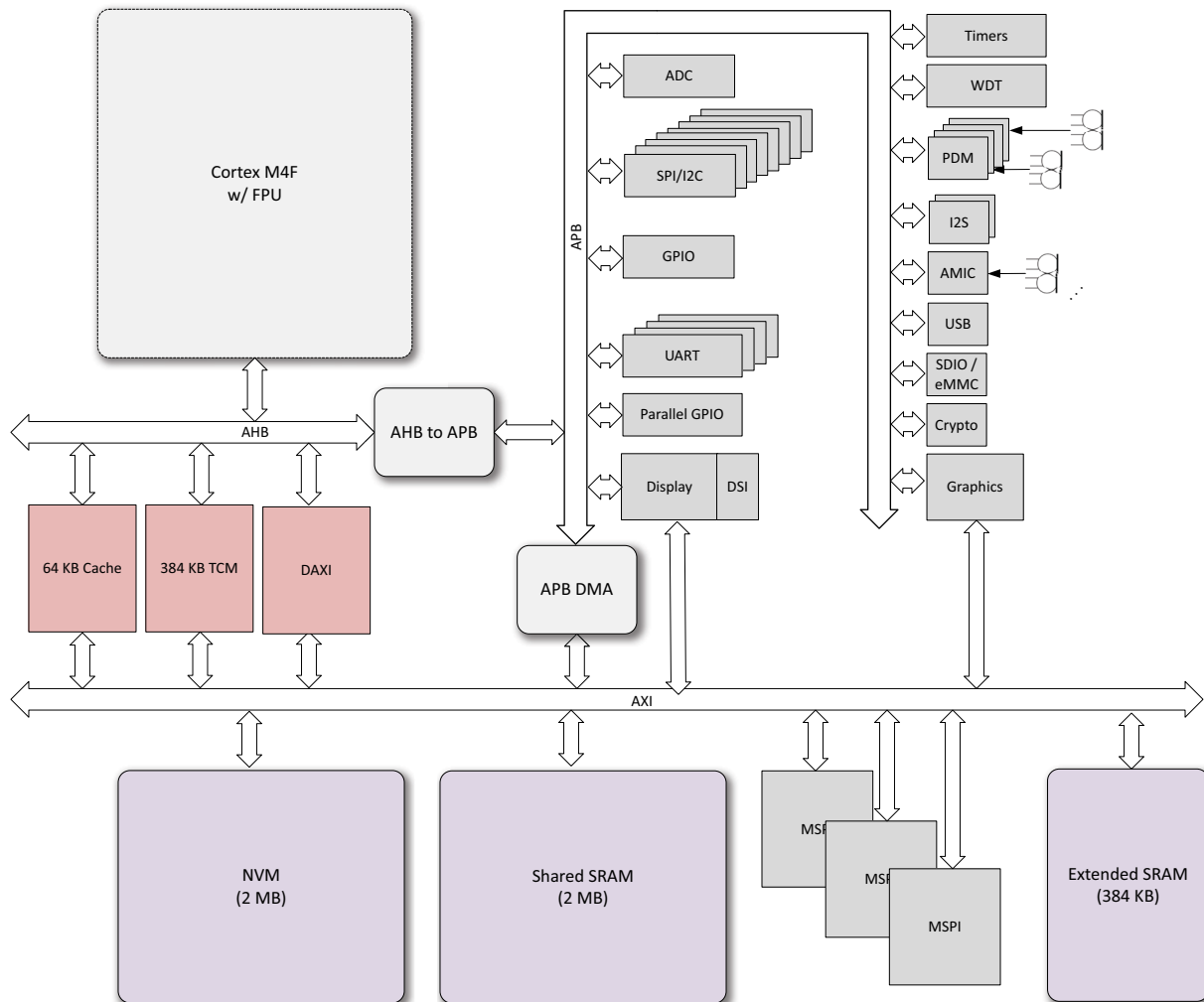
The Memory Controller facilitates NVM erase and programming operations. When erase or programming operations are active, instructions cannot be fetched for execution from the NVM memory, so the on-chip SRAM would have to be used for code execution. The cache controller ensures these operations are synchronized. To facilitate the management of NVM updates and OTP programming, a number of helper functions are provided in the Bootloader ROM.

The Bootloader ROM contains instructions that are executed upon power up of the processor. Once a valid reset vector is established at offset zero in the NVM, the Bootloader transfers control to users application by issuing a POR type reset which causes the core to enter the reset vector in NVM.

The Apollo4 Plus SoC supports secure boot leveraging the SecureSPOT technology. The root of trust for the secure boot is the boot ROM and the Ambiq secure Bootloader. Secure boot, if enabled, will be invoked on each boot and reset cycle. Some secure boot functionality is conditionally supported on reset leveraging the SECBOOTONRST configuration in OTP.

The CPU subsystem includes a boot ROM which is the initial boot memory for the system. The boot ROM initiates the secure boot flow (if enabled) as well as other primitive/critical helper functions to facilitate accesses such as NVM programming.

## 4.2 Memory Controller



**Figure 4. Apollo4 Plus SoC Peripherals, Memory and Buses**

Interfaces to the different memory types consist of the following:

- Code cache
- Tightly Coupled Memory (TCM)
- NVM Interface
- Shared SRAM Interface

The NVM cache for the CPU subsystem caches all instruction and data accesses to the code region of the memory map. On the Apollo4 Plus SoC, this memory includes internal NVM and non-volatile external memory.

The NVM cache has the following features:

- 64 kB (additional lower power modes supported)
- Direct mapped or two-way set-associative
- 128-bit line size

On a cache miss, the cache controller will request the cache line from NVM (internal or external) or internal/external RAM.

The TCM is accessible via the SRAM region. The TCM is a low-power, low-latency memory with configurable power enablement settings (PWRCTRL\_MEMPWREN\_PWRENDTCM) for 8 kB, 128 kB and 384 kB configurations.

The Shared SRAM (SSRAM) is accessible via the SRAM region. The SSRAM is 2048 kB of shared system memory.

The CPU also has access to all of the 384 kB extended memory space. This allows the CPU to utilize the full memory space as additional data/instruction store if needed.

**NOTE**

Enabling and configuring the full 384 kB of extended memory is done by writing to the DSP0 registers of the PWRCTRL module. No memory or functionality is available in the DSP1 space. Writing to the PWRCTRL module's DSP1 registers has no effect and should be avoided.

A Data-AXI (DAXI) module bridges the CM4's local AHB-D interface to the primary AXI crossbar for accesses that are outside of the NVM and the TCM interfaces. DAXI-enabled accesses are generally write buffer and light-duty caching with just a few 128-bit cache lines worth of data.

Specifically, the types of accesses that pass through the cache, DAXI, or neither can be summarized as follows:

**Neither cached or DAXI access (single-cycle access):**

- TCM
- Boot ROM

**NVM Cache access:**

- Instruction Fetches (AHB-I bus)
  - Internal NVM
  - SSRAM
  - Extended SRAM
  - MSPI XIP (Execute-In-Place) – off-chip memory/NVM
- Data (AHB-D bus)
  - Internal NVM

**DAXI access:**

- Data (AHB-D bus)
  - SSRAM
  - Extended SRAM
  - MSPI XIPMM and MSPI XIP (data) accesses to memory-mapped MSPIn apertures

**NOTE**

Cache must be placed in one of the 64 kB modes.



**NOTE**

No instruction accesses pass through the DAXI.

There are two other supported methods to access data via MSPI which use neither cache or the DAXI, and they are as follows:

- PIO access. This utilizes the MSPI's 16-entry, 32-bit read/write FIFOs accessed through the APB bus (not AXI and therefore not DAXI).
- DMA access. This utilizes DMA and the MSPI's read/write FIFOs to efficiently transfer data between the MSPI device and another memory region.

**NOTE**

There is a silicon erratum, ERR082, applicable to Apollo4 and Apollo4 Plus SoCs, regarding a potential lockup when the Display Controller (DC) or the Graphics Module (GFX) accesses MSPI extended memory while the MSPI is DMAing to there. A scenario for the occurrence of this issue would be the following:

1. An MSPI is doing DMA's to/from an Extended Memory space.
2. The GFX or DC does a read of the MSPI but cannot complete due to the active DMA operation in (1).
3. The GFX or DC does a read of the same Extended Memory space, but the GFX/DC cannot accept the read data in the FIFO because it must first complete the read in (2).

The workaround for this deadlock situation is for the system configuration and/or program execution to not allow all three events to occur at once. It can be avoided by having a separate Extended Memory space for the GFX/DC's memory and MSPI memory.

**4.2.1 DAXI**

The DAXI supports a settable number up to thirty-two 128-bit line buffers (4 x 32-bit), which buffer both reads and writes. Programmable read/write aging and replacement policy is also supported.

As mentioned in Section 4.2 on page 71, data accesses over the AHB-D bus to various memory types/regions using the DAXI are the following:

- SSRAM
- Extended SRAM
- MSPI XIPMM and MSPI XIP (data) accesses to memory-mapped MSPIn apertures

These data accesses are located in the memory map at 0x10060000 – 0x1FFFFFFF.

TCM, NVM and MSPI XIP (instruction) accesses do not go through the DAXI.

**NOTE**

There is no non-cached MSPI aperture nor can DAXI caching be configured based on address. The method to make something non-cached is to enable non-cacheable regions in the cache.

**NOTE**

Software coherency is a concern with the DAXI in that the DAXI may contain data from a stale DMA'd buffer. It should be invalidated before reading a reused DMA buffer region in SSRAM, for example.

Software coherency may also be of concern when writing out data to a buffer in SSRAM, Extended SRAM, or MSPI which will be read by a peripheral using DMA, or GPU or Display Controller.

The DAXI must be flushed before entering deepsleep and potentially before entering sleep if software coherency is of concern.

Please see the Apollo4 Family Programmer's Guide for additional, detailed information about DAXI use and operation.

**4.2.1.1 Line Buffers**

The DAXI module utilizes up to thirty-two 128-bit line buffers, including a "0" line buffer mode (via DAXIPASSTHROUGH), which is an eight times increase over the four buffers found in the Apollo4 SoC. These buffers provide read caching and write buffering to the system memory interfaces (SSRAM, MSPI, etc). Each line is in, and is marked as, one of five states which have the following characteristics:

- **MODIFIED (M):** Read buffer that has local write modifications which need to be flushed. Modified lines contain cached read data, as well as hold partial (or full) updates from write operations. MODIFIED lines must be written back to system memory before re-allocation.
- **WRITE (W):** Buffer is allocated as a write buffer. Writes will accumulate in the buffer until the line is flushed. Byte enables indicate which bytes have been written for write-back. Lines in the WRITE state have write data but do not have valid read data. They are simply buffered writes and allow the DAXI to accumulate as many writes as possible before committing them to the AXI subsystem. WRITE lines can be converted to MODIFIED on a read operation by the CPU to the line's address.
- **WRITELOAD (W):** Write buffer is reloading remainder of line to satisfy a load. Lines that have write data and are in the process of reloading a line for a read operation that will be converted to MODIFIED state.
- **SHARED (S):** Data read from system memory that will be cached for subsequent reads. The line contains data read from the AXI bus and reads will be serviced from the line. SHARED lines are converted to MODIFIED lines on a write to its address. SHARED lines are allocated only if no INVALID lines are available.
- **INVALID (I):** Buffer is invalidated. The invalid state basically indicates the line buffer is not in use and its data is invalid; the buffer is available for allocation. INVALID lines are the first buffers used for re-allocation.

From the invalid state, there are three common paths that a line buffer's state might take:

- On a read, the DAXI would issue a read to the primary AXI bus and the buffer would be allocated (SHARED state) to hold the returned 128-bit data. Data would remain cached until a flush (in which case the line is invalidated) or until it is reallocated for a different read or write operation.
- On a read followed by a write operation from the Arm, a buffer would start out as SHARED (from the read) and then transition to MODIFIED after the write operation. It would then be flushed before being reallocated.
- On a write, the DAXI would allocate the line buffer to hold write data (WRITE state). Byte enables would indicate which bytes have been written. In the case of adjacent or subsequent writes to that line, the DAXI will continue updating bytes as the Arm issues them (think of the case of the Arm sequentially writing bytes or words of data). If the Arm reads any data from this line, the DAXI will issue a read operation on the AXI bus and merge the incoming read data with existing write data and convert the buffer to the MODIFIED state.

In addition to the three common paths listed above, lines are converted from WRITE to MODIFIED when all bytes are written.

#### 4.2.1.1.1 Buffer Allocation

Generally, the DAXI will allocate buffers as follows:

1. The DAXI selects a buffer in the INVALID state if one is available, picking the INVALID entry closest to entry zero.
2. If an INVALID entry was not available, the DAXI selects a SHARED buffer in the LRU group if one is available, picking the SHARED entry closest to entry zero.
3. If neither was available, the DAXI will wait for one to become available.

On a hardware reset, the reset invalidates all line buffers. Reset invalidates buffered writes in the DAXI regardless of outstanding transactions. Outstanding writes may not be completed. Use a software write-flush (DAXICTRL\_DAXIFLUSHWRITE) and then poll for DAXIREADY to ensure writes complete before a reset.

#### 4.2.1.1.2 Hardware Flush Level

The DAXI has a FLUSHLEVEL configuration that indicates how aggressively the DAXI will flush buffers in order to ensure that resources are always available for the CPU.

- When set to 1 and 3 or more buffers are enabled, the DAXI will attempt to maintain three free buffers.
- When set to 0 and 3 or more buffers are enabled, the DAXI will attempt to maintain two free buffers.
- When set to 1 and 2 buffers are enabled, the DAXI will attempt to maintain two free buffers.
- When set to 0 and 2 buffers are enabled, the DAXI will attempt to maintain one free buffers.
- Not applicable when only 1 buffer is enabled.

Buffers are considered “free” when INVALID, SHARED or in the process of being flushed. This mechanism flushes a MODIFIED or WRITE buffer when there less than FLUSHLEVEL enabled buffers free. This is pre-emptive, before an allocation is required. A flush writes back cached modified data. MODIFIED buffers downgrade to shared allowing additional reads. WRITE buffers downgrade to INVALID. Pre-emptively flushing with this mechanism allows quick future reallocation for another line.

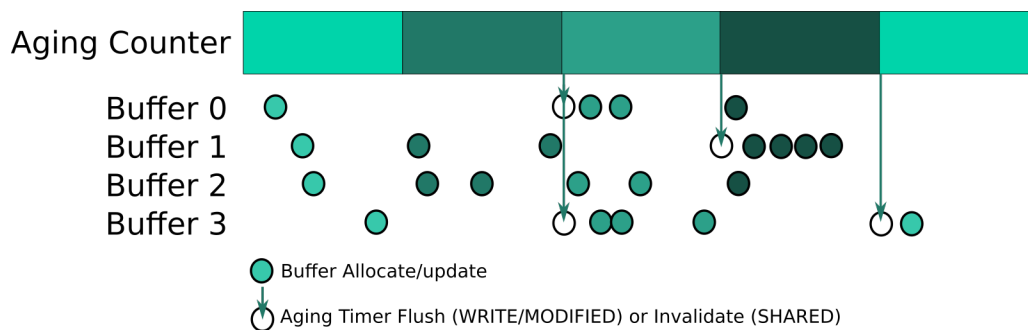
#### 4.2.1.2 Aging Counter

**NOTE**

This example is for a 4-buffer configuration, which may or may not be supported by the silicon revision that you may be using. For 2-buffer support, references to buffers 2 and 3 should be ignored or applied to buffers 0 and 1.

An aging counter is a gray-coded counter that increments every N CPU clock cycles (N is programmable). Every time a buffer is allocated or a read/write transaction utilized a buffer, it records the current age in the buffer. Lines will automatically self-flush after the aging counter reaches a count of two more than the originally stored counter value. This helps ensure that stale data is routinely flushed from the DAXI to preemptively make room for new allocations. Older stale data may have a lower probability for future reuse.

The AGINGCOUNTER setting essentially sets a temporal window in which any buffer that is unused during the time period will be invalidated or flushed. Young buffers remain live for reuse for a number of active DAXI cycles. The number of DAXI cycles is a minimum of AGINGCOUNTER active DAXI cycles and a maximum  $3 \times \text{AGINGCOUNTER}$  active DAXI cycles. The diagram below demonstrates the concept by showing the progression of the aging counter through its four states at the top (each state indicated by a unique color) and operations on each of the four buffers as colored circles.

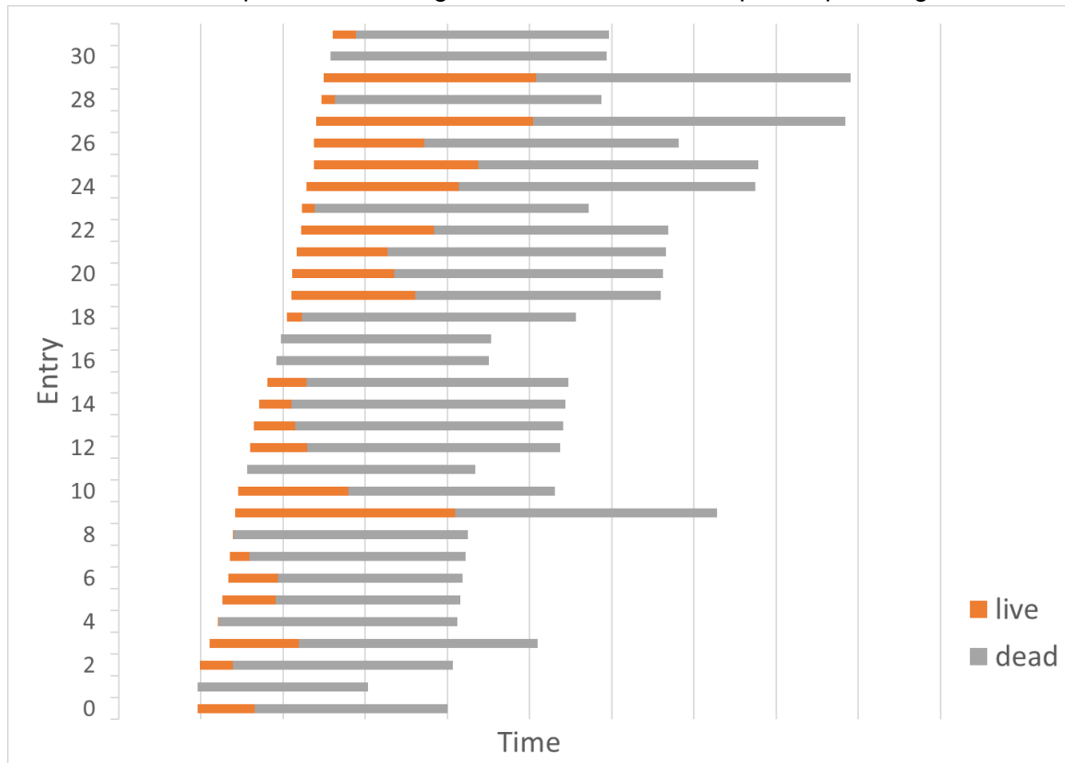


**Figure 5. Aging Counter Operation**

- Time step 1: All four buffers are allocated (for read or write) and the time stamp associated with each buffer is set to the current aging counter state.
- Time step 2: Buffers 1 and 2 are accessed by the CPU. These could be read hits to a buffer marked Shared (S), writes to a Write (W) or Modified (M) buffer, or a reallocation of a buffer.
- Time step 3: Buffers 0 and 3 are flushed by the aging counter. An S buffer is simply invalidated (to prevent stale read data from being cached too long) and a W/M buffer is flushed to ensure that stale write data doesn't remain cached too long. These buffers are the first to be reallocated. Buffer 2 is updated to the current time stamp with an additional access by the CPU.
- Time step 4: Buffer 1 is flushed by the aging timer, while buffers 0 and 2 are updated to the new time stamp with additional accesses from the CPU.
- Time step 5: Buffer 3 is invalidated and subsequently re-allocated.

In addition to being flushed by the aging counter, the DAXI control logic will dynamically flush/invalidate buffers before the timer ages in cases where the DAXI needs to re-allocate the buffer to support the current CPU operations.

To spread out simultaneous flushes of multiple entries, a flush for a particular entry is delayed by a proportional fraction of a temporal window. Figure 6 illustrates an example of spreading out the flushes.



**Figure 6. Flush Spreading**

In this example, entries 0 to 31 allocate from a reset state in order. Entry 1 allocates in the 2nd temporal age window, has no reuse in the 3rd temporal age window and ages out in the 4th temporal age window. Entries 0, 2, 4, 5, 6, 7, 8, 12 and 16 allocate in the 2nd temporal age window, are reused in the 3rd temporal age window, have no reuse in the 4th temporal age window and are aged out in the 5th temporal age window. The flushes for entries 0, 2, 4, 5, 6, 7, 8, 12 and 16 are spread out in the 5th temporal age window.

#### **4.2.1.3 Hardware Stalled Allocation Flush**

In addition to being flushed by the pre-emptive aging and flush level mechanisms, the DAXI control logic will dynamically flush/invalidate buffers on demand in cases where the DAXI needs to re-allocate the buffer to support the current CPU operations. A write check or read check that misses in the DAXI will need to allocate a new entry.

Flush when an allocation is required and there are no INVALID buffers and no SHARED buffers in the LRU group and no buffers in the process of being flushed.

#### **4.2.1.4 Picking a Buffer for Flush Level and Stalled Allocation Flush**

The same selection process picks entry 31 if it is in the LRU group (MODIFIED or WRITE) and not already in the process of flushing. Otherwise, it picks entry 30 if it is in the LRU group (MODIFIED or WRITE) and not already in the process of flushing. Otherwise it picks entry 0 if it is in the LRU group (MODIFIED or WRITE) and not already in the process of flushing.

If no entries are available to flush, wait for demotion of modified or write entries into LRU group.

#### 4.2.1.5 Software flush

Software must use the DAXI sync controls in some situations (like writing to a buffer used for DMA or self-modifying code) to ensure coherency when interacting with other agents in the hardware. The DAXICTRL register has 2 control bits and 1 status bit which provide a software interface to the hardware mechanism.

- DAXIINVALIDATE
  - Writing a 1 to this bit field invalidates any SHARED data buffers.
  - SHARED -> INVALID
- DAXIFLUSHWRITE
  - Writing a 1 to this bit field forces a flush of WRITE or MODIFIED buffers.
  - MODIFIED -> SHARED
  - WRITE -> INVALID
- DAXIREADY
  - DAXI status indicating flush of WRITE or MODIFIED buffers is in progress when 0.
  - Flush is done and DAXI is ready when it returns to 1.

#### 4.2.1.6 Least Recently Used Counter (LRU)

Each line maintains an LRU counter that is reset to zero on every read, write, or allocation event to that line. The counter is then incremented each time one of the other buffers has an event. The LRU as well as buffer state are used by the DAXI to determine which lines to flush/invalidate when a new buffer allocation is required.

Each line also maintains an LRU group state. Line buffers are divided into 4 LRU group populations - MRU, 3rd LRU, 2nd LRU, LRU. A buffer's LRU state is set to MRU on allocate or non-MRU hit. If adding a buffer to the MRU group would exceed the MRU group population limit, all other entries are demoted. If the LRU population is fully depleted, then all other entries are demoted.

##### Promotion/Demotion

- Updated entry -> MRU\*
- LRU entries -> LRU
- 2nd LRU entries -> LRU
- 3rd LRU entries -> 2nd LRU
- MRU entries -> 3rd LRU

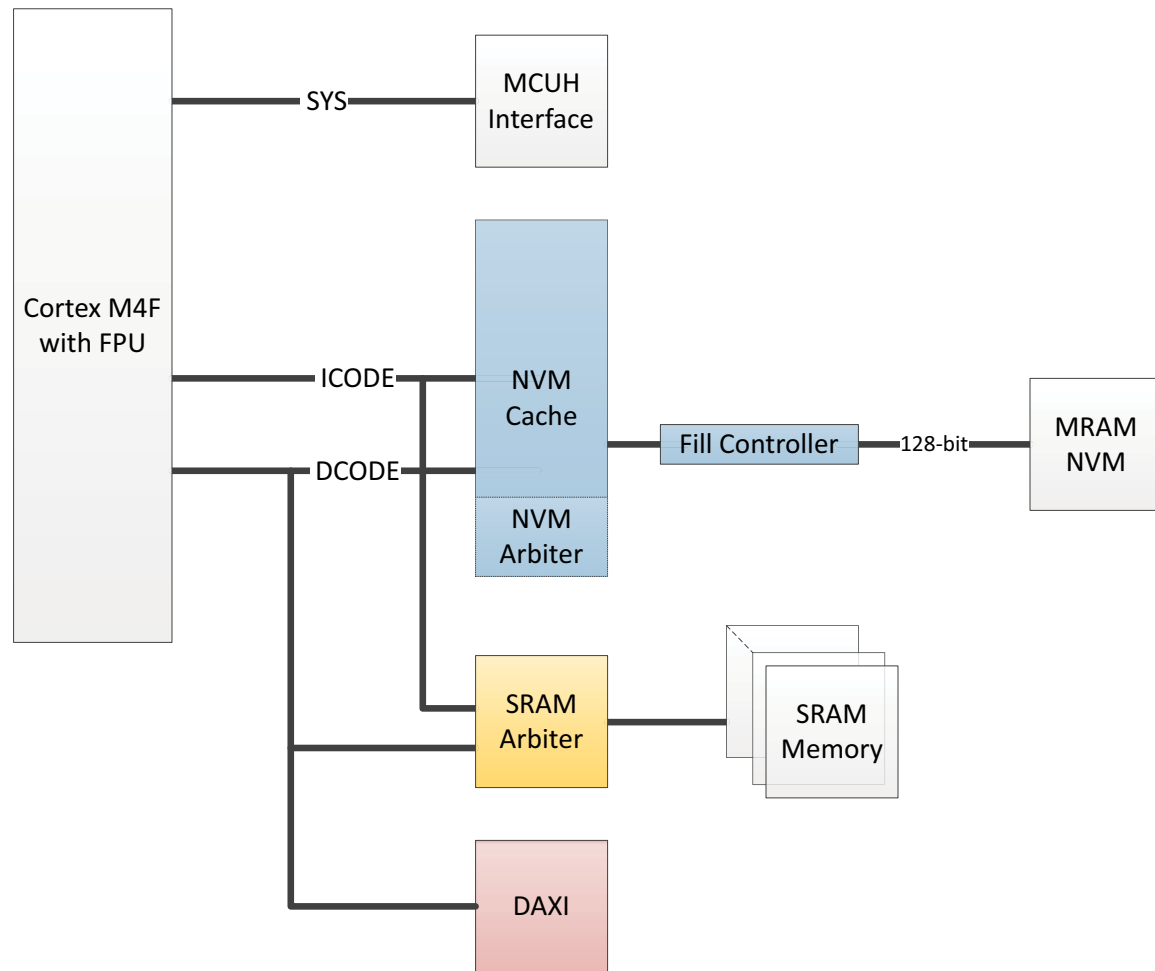
\*If 3 buffers are enabled, update as third LRU. If only 2 buffers are enabled, update as second LRU.

#### 4.2.1.7 Write FIFO

In addition to the line buffers, the Reduced-AXI (RAXI) interface provides a 2-entry deep write FIFO (like the address FIFO) as part of the asynchronous AXI interface. On the AXI, the address transactions are decoupled from the read data/write data transactions, but are issued in order, with address FIFO transaction push either simultaneous with, or leading, write FIFO transaction. In other words, there are 2 DAXI-to-RAXI outbound FIFOs of 2-entries deep for address and write data, and 2 RAXI-to-DAXI inbound FIFOs of 1-entry deep for read data and write response/acknowledgment.

Flushes from line buffers are immediately accepted by the RAXI (unless it is full), allowing WRITE (W) / MODIFIED (M) lines to be reallocated quickly.

## 4.2.2 NVM Cache



**Figure 7. Block Diagram for Apollo4 Plus SoC NVM Cache**

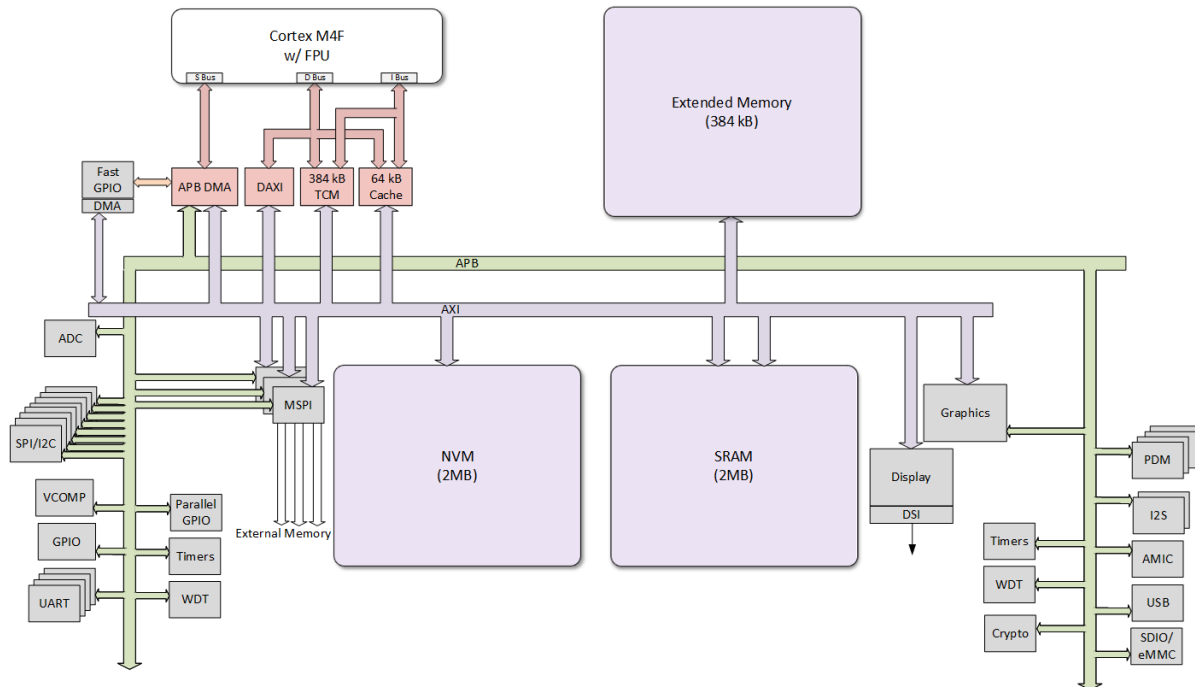
The Apollo4 Plus SoC incorporates a NVM cache to the I-Code and D-Code path from the microcontroller. This controller is intended to provide single cycle read access to NVM and reduce overall accesses to the NVM to reduce power. The controller is a unified I-Code and D-Code cache controller. The cache fill path is arbitrated between cache misses as well as the other NVM read agents, e.g., Info, Reg, Built-in Self Test (BIST). Caching is supported for the entire 2 MB internal NVM and all MSPI apertures. The cache is configurable 2-way set associative or direct mapped, 128-bit line size.

- Both I\_BUS and D\_BUS reads from internal NVM are cached by the NVM Cache.
  - All NVM accesses go through the NVM cache. They do not go through DAXI.
- For all other memory ranges (except TCM), Instruction fetches (I\_BUS reads) are cached. This includes Instruction fetch from SSRAM, Extended RAM, and MSPI XIP.
  - The NVM does not cache D\_BUS data reads from any memory other than MRAM.
  - TCM is accessed directly, and does not go through NVM cache.
- NVM cache fetch/miss accesses go directly onto AXI. They do not go through DAXI. The cache has its own set of line buffers from which it can hit.
- The NVM cache does not cache any writes. The cache's line buffers cannot be disabled. They are always active even if the cache is disabled.

- On a cache configuration change or a NVM program cycle, the cache should self-invalidate. However, the cache is unaware of any SSRAM or external XIP PSRAM update, so if paging in and out instruction overlays from some external memory to SSRAM for example, it is important that software invalidates the cache before accessing that region again.

**4.2.2.1 Data fetches from XIP via NVM cache**

On the Apollo4 family SoCs, the XIP and XIPMM have been merged so that the two types of access utilize the same address ranges. Reads from areas used as read/write are not cacheable. Figure 8 below shows the SoC Bus Architecture and access to external memory on the AXI bus.



**Figure 8. Apollo4 Plus SoC Bus Architecture Block Diagram**



### 4.3 Wait States for Accesses to Memory Types

As mentioned, accesses to memory fall into one of four channels:

- Code cache
- Tightly Coupled Memory
- NVM Interface
- Shared SRAM Interface

There are six supported cache modes:

- W1\_128B\_512E = 0x4 - Direct mapped, 128-bit line size, 512 entries (4 SRAMs active)
- W2\_128B\_512E = 0x5 - Two-way set associative, 128-bit line size, 512 entries (8 SRAMs active)
- W1\_128B\_1024E = 0x8 - Direct mapped, 128-bit line size, 1024 entries (8 SRAMs active)
- W1\_128B\_2048E = 0xC - Direct mapped, 128-bit line size, 2048 entries (4 SRAMs active)
- W2\_128B\_2048E = 0xD - Two-way set associative, 128-bit line size, 2048 entries (8 SRAMs active)
- W1\_128B\_4096E = 0xE - Direct mapped, 128-bit line size, 4096 entries (8 SRAMs active)

64 kB mode can be configured as W2\_128B\_2048E or W1\_128B\_4096E. For MSPI memory-mapped XIP access, W1\_128B\_4096E mode must be used. All other modes are 16 kB.

#### NOTE

Due to a device erratum (ERR003), the following mode is not supported:

- W1\_128B\_2048E = 0xC - Direct mapped, 128-bit line size, 2048 entries (4 SRAMs active)

On a cache miss, the cache controller will request the cache line from NVM (internal or external) or internal/external RAM.

The Tightly Coupled Memory (TCM) is accessible via the SRAM region. The TCM is a low power / low latency memory with configurable power settings for 8 kB, 128 kB and 384 kB configurations.

The Shared SRAM (SSRAM) is accessible via the SRAM region. The SSRAM is 2048 kB of shared system memory. Access to this memory region incurs 7 or 13 cycle wait states (depending on the CPU operating mode).

The CPU also has access to 384 kB of extended SRAM memory. The extended memory region incurs 10 or 19 cycle wait states (depending on the CPU operating mode).

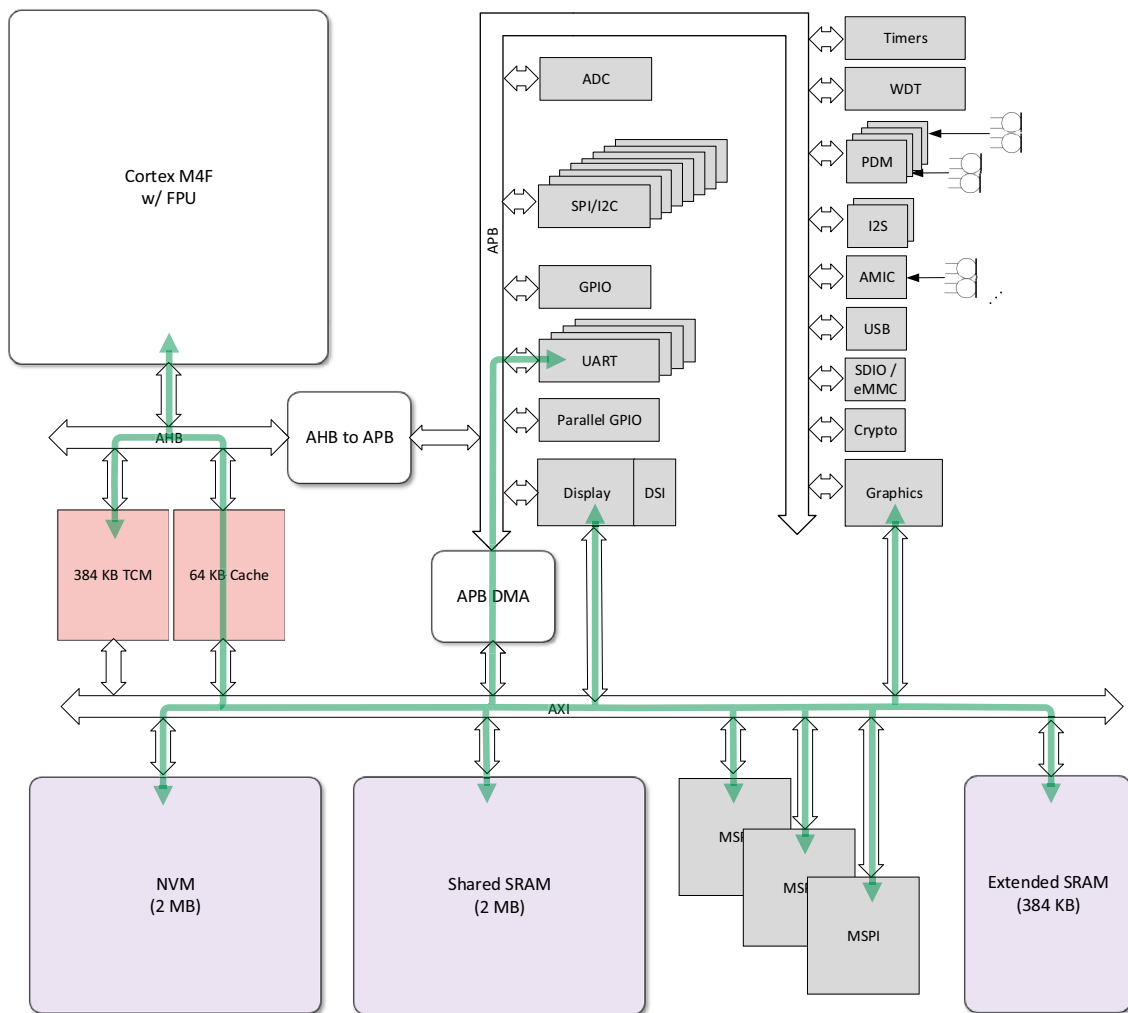
The CPU subsystem includes a boot ROM which is the initial boot memory for the system. The boot ROM initiates the secure boot flow (if enabled) as well as other primitive/critical helper functions to facilitate accesses such as NVM programming.

Figure 9 below shows the bus interconnections between the Cortex M4F CPU and the various memory/storage elements and peripherals on the Apollo4. Aside from the direct access to TCM, accesses between the CPU and a memory or peripheral are through the instruction or data cache, and then over the AXI bus to one of the memory or storage elements. Access to an external storage device is through one of the MSPI instances.

In addition to CPU accesses to each memory type, the Apollo4 Plus SoC supports direct memory access (DMA) to the various memories by APB peripherals. These direct accesses are enabled through multiple DMA controllers as follows:

- Graphics Controller
  - Has dedicated DMA
  - DMA has access to all memory

- Supports multiple threads and dedicated FIFOs to accommodate memory latencies
- Display Controller
  - Has dedicated DMA
  - DMA has access to all memory
- Other DMA supported peripherals
  - DMA is handled through APB DMA controller
  - Each device has high/low priority
  - Supports up to 16 beats of data per arbitration cycle
  - DMA source/target can be any RAM or external memory (NVM only as source for limited devices)



**Figure 9. Apollo4 Plus SoC System Diagram**

The efficiency of the interoperability of the CPU, cache, AXI bus, DMAs and memories can be seen in Table 3, which summarizes the number of wait states based on cache hits or misses for memory accesses to each type of memory supported on the Apollo4 Plus SoC.

Table 3: Wait States for Accesses to/from the CPU and Memory/Storage Elements

| Memory / Storage Element | Cache Access | Accessed Memory | Access Type | DMA Bank Conflict | Cache State <sup>1</sup> | Wait States  | Notes   |
|--------------------------|--------------|-----------------|-------------|-------------------|--------------------------|--|---|
| TCM                      | No           | Data            | Read/Write  | No                | -                        | 0  |   |
|                          |              |                 |             | Yes               | -                        | N <sub>TCM</sub>   | - Dependent on DMA activity and conflict to same 32KB bank of memory<br>- Max transfer size is 16 before arbitration  |
|                          |              | Instruction     | Read        | No                | -                        | 0  |   |
|                          |              |                 |             | Yes               | -                        | N <sub>TCM</sub>   | - Dependent on DMA activity and conflict to same 32KB bank of memory<br>- Max transfer size is 16 before arbitration  |
| SSRAM                    | Yes          | Data            | Write       | -                 | Available                | 0  |   |
|                          |              |                 |             | -                 | Unavailable              | N <sub>WR</sub>  | - 32-entry, 128b line buffer (LRU allocated)<br>- Sub-128b writes are accumulated into buffer<br>- Writes are flushed based on time, eviction or flush command<br>- Dependent on bus load<br>- Unloaded is 0 cycles |
|                          |              | Read            | -           | Hit               | 0                        |  |   |
|                          |              |                 | -           | Miss              | N <sub>RD</sub>          | - Critical word (miss)<br>- Hits serviced from 4 entry 128b line buffer<br>- Dependent on bus load<br>- Unloaded is 7 cycles (LP) and 13 cycles (HP) |   |
|                          | Yes          | Instruction     | Read        | -                 | Hit                      | 0  |   |
|                          |              |                 |             | -                 | Miss                     | N <sub>MISS</sub>  | - Critical word (miss)<br>- Dependent on bus load<br>- Unloaded is 7 cycles (LP) and 13 cycles (HP)   |

Table 3: Wait States for Accesses to/from the CPU and Memory/Storage Elements

| Memory / Storage Element | Cache Access | Accessed Memory   | Access Type | DMA Bank Conflict | Cache State <sup>1</sup> | Wait States | Notes   |
|--------------------------|--------------|-------------------|-------------|-------------------|--------------------------|-------------|---|
| Extended SRAM            | Yes          | Data              | Write       | -                 | Available                | 0           |   |
|                          |              |                   |             | -                 | Unavailable              | $N_{WR}$    | - 32-entry, 128b line buffer (LRU allocated)<br>- Sub-128b writes are accumulated into buffer<br>- Writes are flushed based on time, eviction or flush command<br>- Dependent on bus load<br>- Unloaded is 0 cycles |
|                          |              |                   | Read        | -                 | Hit                      | 0           |   |
|                          |              |                   |             | -                 | Miss                     | $N_{RD}$    | - Critical word (miss)<br>- Hits serviced from 32-entry 128b line buffer<br>- Dependent on bus load<br>- Unloaded is 10 cycles (LP) and 19 cycles (HP)  |
|                          | Yes          | Instruction       | Read        | -                 | Hit                      | 0           |   |
|                          |              |                   |             | -                 | Miss                     | $N_{MISS}$  | - Critical word (miss)<br>- Dependent on bus load<br>- Unloaded is 10 cycles (LP) and 19 cycles (HP)  |
| MSPI                     | Yes          | Data <sup>2</sup> | Write       | -                 | Available                | 0           |   |
|                          |              |                   |             | -                 | Unavailable              | $N_{WR}$    | - 32-entry, 128b line buffer (LRU allocated)<br>- Sub-128b writes are accumulated into buffer<br>- Writes are flushed based on time, eviction or flush command<br>- Dependent on bus load<br>- Unloaded is 0 cycles |
|                          |              |                   | Read        | -                 | Hit                      | 0           |   |
|                          |              |                   |             | -                 | Miss                     | $N_{RD}$    | - Critical word (miss)<br>- Hits serviced from 32-entry 128b line buffer<br>- Dependent on bus load<br>- Unloaded is 39-45 cycles (LP) and 77-89 cycles (HP) <sup>3</sup>   |
|                          | Yes          | Instruction (XiP) | Read        | -                 | Hit                      | 0           |   |
|                          |              |                   |             | -                 | Miss                     | $N_{MISS}$  | - Critical word (miss)<br>- Dependent on bus load<br>- Unloaded is 39-45 cycles (LP) and 77-89 cycles (HP) + MSPI bus latency (varies by device) <sup>3</sup>   |
| NVM                      | Yes          | Instruction/ Data | Read        | -                 | Hit                      | 0           |   |
|                          |              |                   |             | -                 | Miss                     | $N_{MISS}$  | - Critical word (miss)<br>- Dependent on bus load<br>- Unloaded is 11 cycles (LP) and 21 cycles (HP)  |

1. Cache slot available/unavailable on a write, or hit/miss on a read

2. Memory-mapped MSPI data accesses incur the same latency concerns as instruction (XiP) accesses, which is dependent on MSPI bus width, frequency and turnaround time.

3. MSPI wait states are affected by DQS mode and the TURNAROUND settings.

#### 4.4 One-Time Programmable (OTP) Memory

There is up to 16 kB of OTP memory on the Apollo4 Plus SoC. It is partitioned into 3 primary sections - Ambiq trim, Customer trim and Secure OTP. Each partition is OTP protected via hardware.

The Ambiq Trim OTP partition is used to store trims required for the per-chip functionality and optimization. These trims are provisioned at manufacturing. The Customer Trim OTP partition is used to store trims specific to customer implementation (e.g. buck configuration). These trims can be provisioned at customer manufacturing or as part of a trim update in the field. The Secure OTP partition is exclusively controlled by the crypto hardware. This partition is provisioned at different stages of the device life cycle using secure provisioning utilities.

## 5. Reset Generator (RSTGEN)

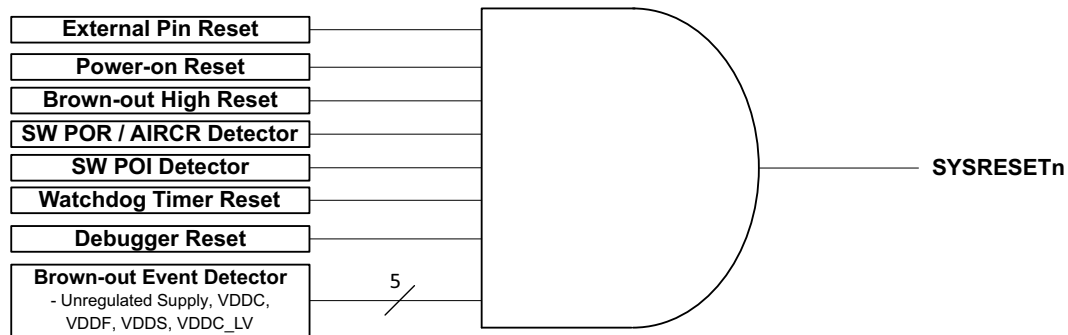


Figure 10. Block diagram for the Reset Generator Module

### 5.1 Functional Overview

The Reset Generator Module (RSTGEN) monitors a variety of reset signals and asserts the active low system reset (SYSRESETn) accordingly. A reset causes the entire system to be re-initialized, and the cause of the most recent reset is indicated by the STAT register.

Reset sources are described in the subsequent sections and include:

- External reset pin (RSTn)
- Power-on event
- Brown-out events
- Software request (SYSRESETREQn)
- Watchdog expiration

Please refer to the RSTGEN registers of the Apollo4 Plus SoC register set. The register set for this SoC is delivered as part of the AmbiqSuite SDK. Also available and should be referenced and understood are the Apollo4 Family Programmer's Guide and the Errata List document specific to this Apollo4 family member.

### 5.2 External Reset Pin

The active-low RSTn pin can be used to generate a reset using an off-chip component (e.g., a push-button). An internal pull-up resistor in the RSTn pad enables optional floating of the RSTn pin, and a debounce circuit ensures that bounce glitches on RSTn does not cause unintentional resets. The RSTn pin is not maskable. An internal pull-down device will be active during a brownout event pulling the RSTn pin low. See Figure 11.

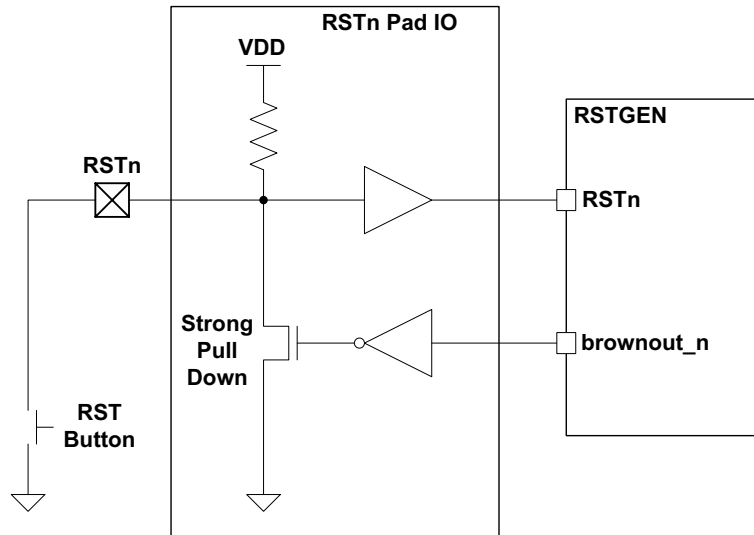


Figure 11. Block diagram of circuitry for Reset pin

### 5.3 Power-on Event

An integrated power-on detector monitors the supply voltage and keeps SYSRESETn asserted while VDD is below the rising power-on voltage,  $V_{POR+}$ . When VDD rises above  $V_{POR}$  at initial power on, the reset module will initialize the low power analog circuitry followed by de-assertion of SYSRESETn, and normal operation proceeds. SYSRESETn is re-asserted as soon as VDD falls below the falling power-on voltage,  $V_{POR-}$ . The power-on reset signal, PORn, is not maskable.

#### NOTE

As described in erratum ERR087, a POR failure may occur during power-on. The POR design includes a level-shifter without isolation control and during power up, the uncontrolled level-shifter may cause loss of reset in the AOH domain. This in turn could incorrectly enable a strong pull-down path for the SIMOBUCK voltage. The MEMLDO will fail to power up VDDF because of the excessive loading when the SIMOBUCK voltage is pulled down enough.

The system may fail to power up properly when VDDC/VDDF does not reach specified minimum voltage during POR.

The recommended workaround is to connect a 2.2  $\mu\text{F}$  capacitor between VDDF and VDD (VDD supply to VDDP/VDDH/VDDA).

### 5.4 Brown-out Events

There are multiple brownout detectors in the Apollo4 family. An integrated brown-out detector monitors the primary supply voltage and causes an automatic and non-configurable reset when the voltage has fallen below the low brownout threshold (BODL). An optional reset or interrupt can be enabled when the brown-out detector indicates the supply voltage has fallen below the high brownout threshold (BODH).

**NOTE**

**WARNING:** The brown out high reset should not be enabled if the supply voltage is lower than the BODH reset level (2.1V). Enabling this reset (RSTGEN\_CFG\_BODHREN = 1) in this situation causes repeated resets.

In addition, there are individual brownout detector monitors integrated within the core/memory which cause separate/maskable reset assertions when the voltage falls below critical level for the respective voltage rails - VDDC, VDDC\_LV, VDDS or VDDF. In the event the primary supply voltage falls below its high brownout threshold (BODH), or any of the other supplies fall below its corresponding core/memory threshold if enabled, the reset module will initiate a system reset, enabling the RSTn pull-down and driving the reset pin low. The occurrence of a BODH reset will be reflected by the setting of the BODH bit in the RSTGEN's INTSTAT Register after reset, and similarly for the other four selectable resets.

In the event of a brownout detection, the following functionality is maintained until a power down detection occurs.

- All RTC registers retain state.
- RTC and STIMER counters continue operation from 32 kHz XTAL or from LFRC (if below BODL). If clock sources stop oscillating at very low voltage, the RTC and STIMER will continue to maintain state.
- Clock configuration registers retain state.

## 5.5 Software Reset

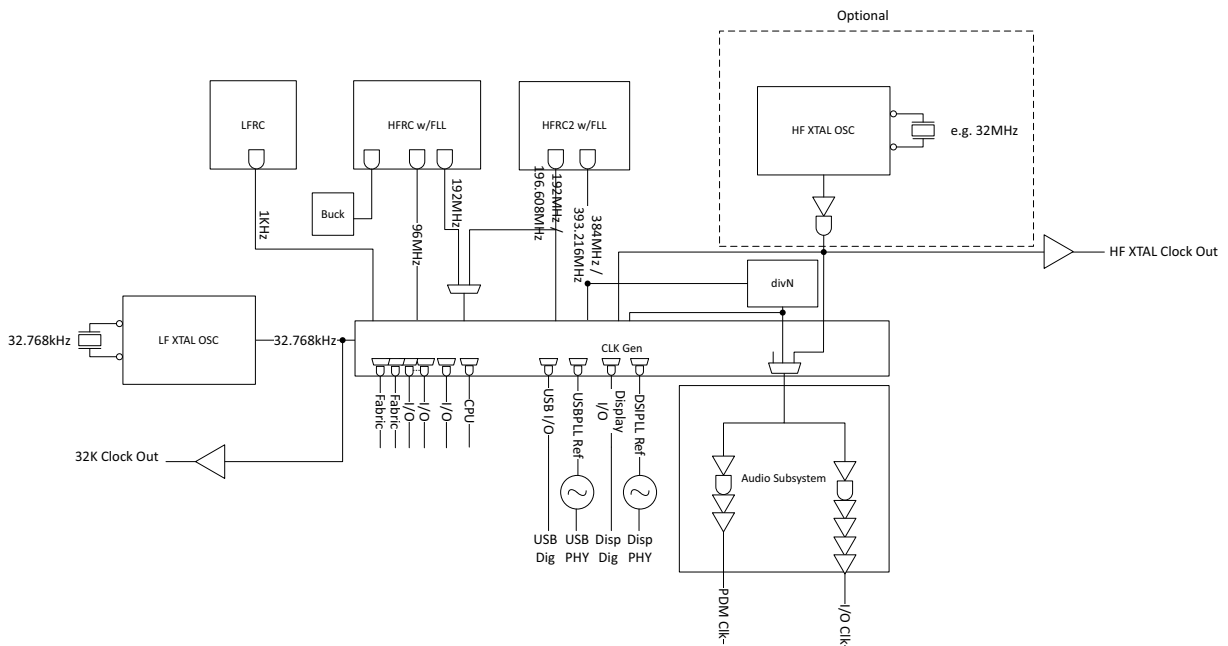
A reset may be generated via software using the Application Interrupt and Reset Control Register (AIRCR) defined in the Cortex-M4. For additional information on the AIRCR, see the Arm document titled "Cortex-M4 Devices Generic User Guide." The software reset request is not maskable. A second source for the identical software reset functionality is made available through the SWPOR register in the RSTGEN peripheral module.

## 5.6 Watchdog Reset

The Watchdog Timer sub-module generates an interrupt if it has not been properly managed by software within a pre-defined time. The watchdog reset is maskable.



## 6. Clock Generator (CLKGEN)



**Figure 12. Block diagram for the Clock Generator**

### 6.1 Features

The Apollo4 Plus SoC clock generation subsystem is responsible for generating all of the primary and derived clocks in the SoC.

- Independent frequency scaling for various SoC subsystems
- Ultra low power, low frequency clock generation with XTAL calibration
- Programmable I/O clock dividers
- High precision audio clock generation

**NOTE**

When enabling a module which automatically starts clocking with a default clock source, or when changing the clock source for any enabled module, there is a required 30  $\mu$ s settling time for the selected clock.

Please refer to the CLKGEN registers of the Apollo4 Plus SoC register set. The register set for this SoC is delivered as part of the AmbiqSuite SDK. Also available and should be referenced and understood are the Apollo4 Family Programmer's Guide and the Errata List document specific to this Apollo4 family member.

## 6.2 Functional Overview

A high-level view of the Clock Generator Module, which supplies all clocks required by the Apollo4 Plus SoC, is shown in Figure 12. Note that the output clock frequencies from the clock sources are nominal values. Consult the Electrical Characteristics section for specified values.

The clock generation subsystem consists of the following sub-modules:

- High frequency XTAL oscillator circuit
- Low frequency XTAL oscillator circuit
- 2x High frequency RC oscillator
- Low frequency RC oscillator
- High frequency PLL circuits
- SoC clock generation logic
- Audio subsystem clock generation logic

The high frequency RC block (HFRC) provides all the primary clocks for the high frequency digital processing blocks in the SoC except for audio, radio and HP mode clocks. These clocks are gated/selected based on performance requirements. The digital clocks are isolated to avoid noise injection into the critical clocks for audio and radio communications. Additionally, the high frequency digital clock is programmatically divided to generate the various I/O clocks in the system. All high frequency clocks can be gated if not needed. The HFRC also supports a frequency-locked loop (FLL) circuit to ensure the HFRC oscillator locks to a specific frequency range to ensure high quality/low ppm output reference as needed to meet audio clock quality requirements. Although the HFRC can be calibrated to a variety of input reference clocks, the primary clock reference is the 32 kHz XTAL input.

The PLLs are used to create the clocks needed for the USB and Display subsystem.

The second high frequency RC block (HFRC2) provides a high accuracy clock required for audio applications. The HFRC2 supports a FLL circuit to ensure the HFRC2 oscillator locks to a specific frequency range to ensure high quality/low ppm output reference. Although the HFRC2 can be calibrated to a variety of input reference clocks, the primary clock reference is the HF XTAL input.

The low frequency RC block (LFRC) provides the low frequency clocks for timers and other logic within the SoC. The LFRC takes either the high frequency or low frequency XTAL as source.

The high frequency XTAL sets the primary clock input for the audio and radio subsystems. For configurations using Ambiq BlueSPOT, the XTAL is 32 MHz. However, additional XTAL frequencies need to be supported for different configurations. An external clock request is sourced to indicate the XTAL is needed by the external device. This is used in coordination with internal clock request logic to determine if the XTAL can be powered down.

### NOTE

There is a limitation related with deepsleep mode when using XTALHS (XO32M) as a module clock source. In deepsleep mode, since MCUL and MCUH power domains are shut down for power saving, XTALHS cannot be selected as the clock source for those modules for which XTALHS is offered (PDM, I2S or AUDADC) because the clock signal path passes through MCUL and MCUH domains.

The divN functionality provides integer divide ratio to generate the appropriate frequencies (e.g., 24.576 MHz or a 22.579 MHz to support 44.1 kHz sampling) needed for audio use cases. A bypass option also allows the HF XTAL to be used directly (in the case a 24.576 MHz or 22.579 MHz XTAL can be used for audio only).

An output clock is generated from the HF XTAL circuit to support external radio clocking. This output clock is intended to be high quality to ensure radio requirements can be met.

### 6.3 Low Frequency RC Oscillator (LFRC)

The low power LFRC, with a nominal frequency of 900 Hz, is used when short term frequency accuracy is not important. It also supplies clocks for SIMO buck regulator in low power mode (32 kHz) as well as some basic state machines and is always enabled.

### 6.4 High Precision XT Oscillator (XT)

The high accuracy XT Oscillator is tuned to an external 32.768 kHz crystal, and has a nominal frequency of 32.768 kHz. It is used when frequency accuracy is critically important. Because a crystal oscillator uses a significant amount of power, the XT is only enabled when an internal module is using it.

It should be noted that the XT oscillator is also optional if the requirements of the design can tolerate the internal LFRC/HFRC oscillator specifications. It should also be noted that external capacitors are not required to tune an internal divided clock of the crystal input to achieve a precise scaling of 32.768 kHz. This is handled within the Apollo4 Plus SoC.

#### NOTE

**The XTAL is highly sensitive to external leakage on the XI pin. Therefore it is recommended to minimize the components on XI and to use extremely low leakage load capacitors.**

The RTC clock source, either the LFRC Oscillator or the XT Oscillator, is selected via the CLKGEN\_OCTRL\_OSEL bit. If the XT Oscillator experiences a temporary failure and subsequently restarts, the Apollo4 Plus SoC will switch back to the XT Oscillator.

### 6.5 High Frequency RC Oscillator (HFRC)

The high frequency HFRC Oscillator, with a nominal frequency of 96 MHz, is used to supply all high frequency clocks in the Apollo4 Plus SoC such as the processor clock for the Arm core, memories and many peripheral modules. Digital calibration is not supported for the HFRC, but its frequency may be automatically adjusted by the Auto-adjustment function which is a combination of analog and digital operations.

The HFRC is enabled only when it is required by an internal module. When the Arm core goes into a sleep mode, the HFRC will be disabled unless another module is using it. If the Arm core goes into deep sleep mode, the HFRC will be powered down when it is not needed. When the HFRC is powered up, it will take a few microseconds for it to begin oscillating, and a few more microseconds before the output is completely stable. In order to prevent erroneous internal clocks from occurring, the internal clocks are gated until the HFRC is stable.

The Apollo4 Plus SoC supports high frequency TurboSPOT™ burst mode.

## 7. Real Time Clock (RTC)

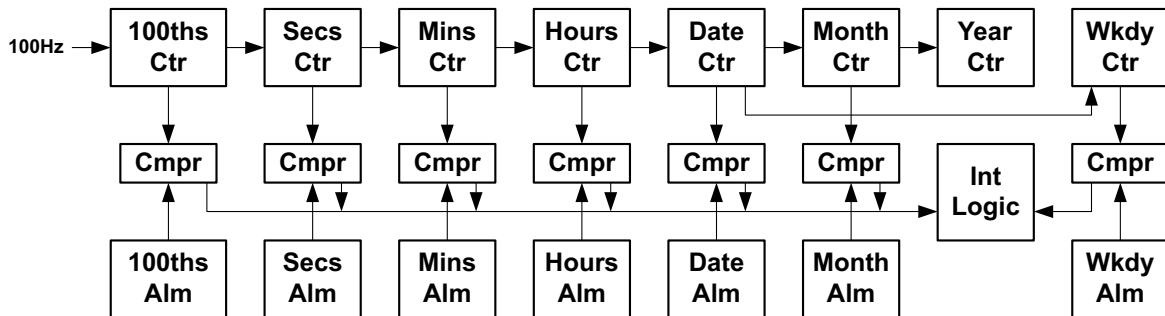


Figure 13. Block diagram for the Real Time Clock Module

### 7.1 Functional Overview

The Real Time Clock (RTC) Module, shown in Figure 13, provides an accurate real time measurement. Key features are:

- 100<sup>th</sup> of a second resolution
- Time is measured for the years between 1900 and 2199
- Automatic leap year calculation
- Hours are specified in 24 hour mode
- Alarm precise to 1/100 second
- Alarm interval every 100<sup>th</sup> second, 10<sup>th</sup> second, second, minute, hour, day, week, month or year.
- 100 Hz input clock taken from either the high accuracy XT Oscillator or the low power LFRC Oscillator.

### 7.2 Additional Information

Please refer to the RTC registers of the Apollo4 Plus SoC register set. The register set for this SoC is delivered as part of the AmbiqSuite SDK. Also available and should be referenced and understood are the Apollo4 Family Programmer's Guide and the Errata List document specific to this Apollo4 family member.

Please consult the Apollo4 Family Programmer's Guide for additional information about CLKGEN and RTC Module operations.

## 8. Security

### 8.1 Functional Overview

The Apollo4 Plus SoC supports the Arm Platform Security Architecture (PSA) and is Level 1 compliant. It provides robust system level security leveraging Ambiq's SecureSPOT™ technology.

The Apollo4 Plus SoC supports the following security features:

- Secure Boot
- Secure Over-the-Air (OTA) Updates
- Secure Wired Updates
- Secure Key Storage
- Secure Debug
- Key Revocation
- Crypto Acceleration
- True Random Number Generator (TRNG)
- CRC32
- External Storage In-line Encryption/Decryption

The following cryptographic features are supported:

- AES (128, 192, 256b)
  - ECB, CBC, CTR, OFB
  - CMAC, CBC-MAC, AES-CCM, AES\_GCM
- AES Key Wrapping
- Diffie-Hellman (1024, 2048, 3072b)
  - ANSI X9.42-2003: Public Key Cryptography for the Financial Services Industry: Agreement of Symmetric Keys Using Discrete Logarithm Cryptography.
  - Public-Key Cryptography Standards (PKCS) #3: Diffie-Hellman Key Agreement Standard.
- ECC Key Generation (NIST and 25519 curves)
- ECIES
- ECDSA
- ECDH
- SHA1/SHA224/SHA256
- HKDF
- KDF
  - NIST SP 800-108: Recommendation for Key Derivation Using Pseudo-random Functions
- RSA PKCS#1 (2048, 3072, 4096b)
  - Public-Key Cryptography Standards (PKCS) #1 v2.1: RSA Cryptography Specifications
  - Public-Key Cryptography Standards (PKCS) #1 v1.5: RSA Encryption
- RSA Key Generation
- TRNG
  - BSI AIS-31: Functionality Classes and Evaluation Methodology for True Random Number Generators.
  - NIST SP 800-90B: Recommendation for the Entropy Sources Used for Random Bit Generation.

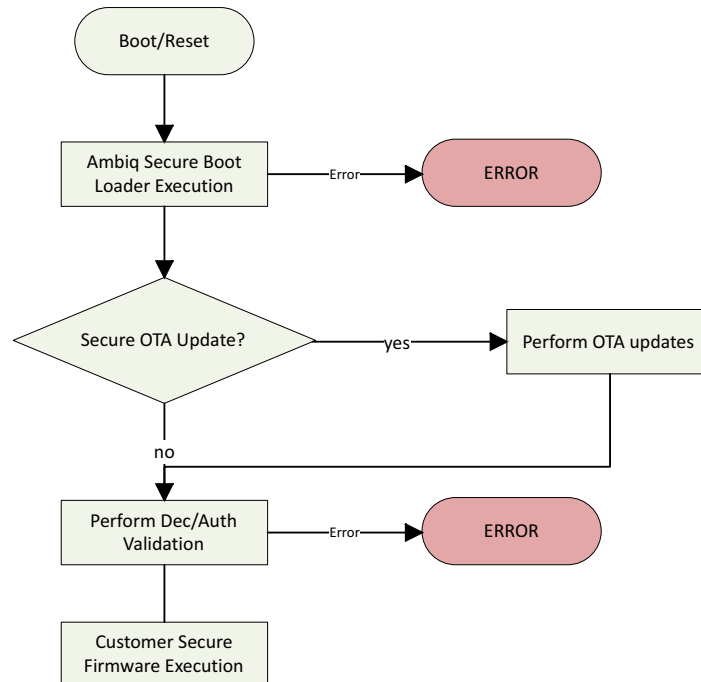
The Apollo4 Plus SoC adheres to the Arm Platform Security Architecture (PSA). This establishes a secure processing environment that isolates security critical functionality and data from application software. The basis of the secure processing environment is a secure boot. This leverages the immutable Root-of-Trust (RoT) based on a set of hardware primitives which ensure trusted boot of the device. Maintaining the chain of trust is critical. Apollo4 provides robust security services to support Over-the-Air (OTA) updates, wired updates and secure debug sessions.

## 8.2 Secure Boot

The Secure Boot feature on the Apollo4 Plus SoC provides a secure foundation for customer firmware/ services. The secure Bootloader provides authentication, decryption and integrity validation for all firmware upon installation and boot/reset. Secure Bootloader provides firmware recovery and OTA update support.

Secure Boot policy can be used to direct the secure Bootloader based on the customer security requirements.

A high level flow diagram of the Secure Boot process is illustrated in Figure 14. See separate Security document(s) for more details.



**Figure 14. Secure Boot Flow**

### NOTE

The Apollo4 SDK uses dynamic trim adjustments for different operating modes. The software keeps track of the state using global variables to ensure trim adjustments are only applied once. However, if the user's design includes a secondary bootloader, the global software state is not enough to prevent multiple trim adjustments.

The SDK function `am_hal_pwrctrl_settings_restore()` was introduced in SDK 4.1.0, which must be called from the base application (e.g., secondary bootloader) before transitioning to another application.

### 8.3 Secure OTA

The Apollo4 Plus SoC supports secure OTA leveraging the Ambiq secure Bootloader. Customers can update any firmware component securely as directed via the security policy configuration in OTP.

The basic flow is shown in Figure 15.

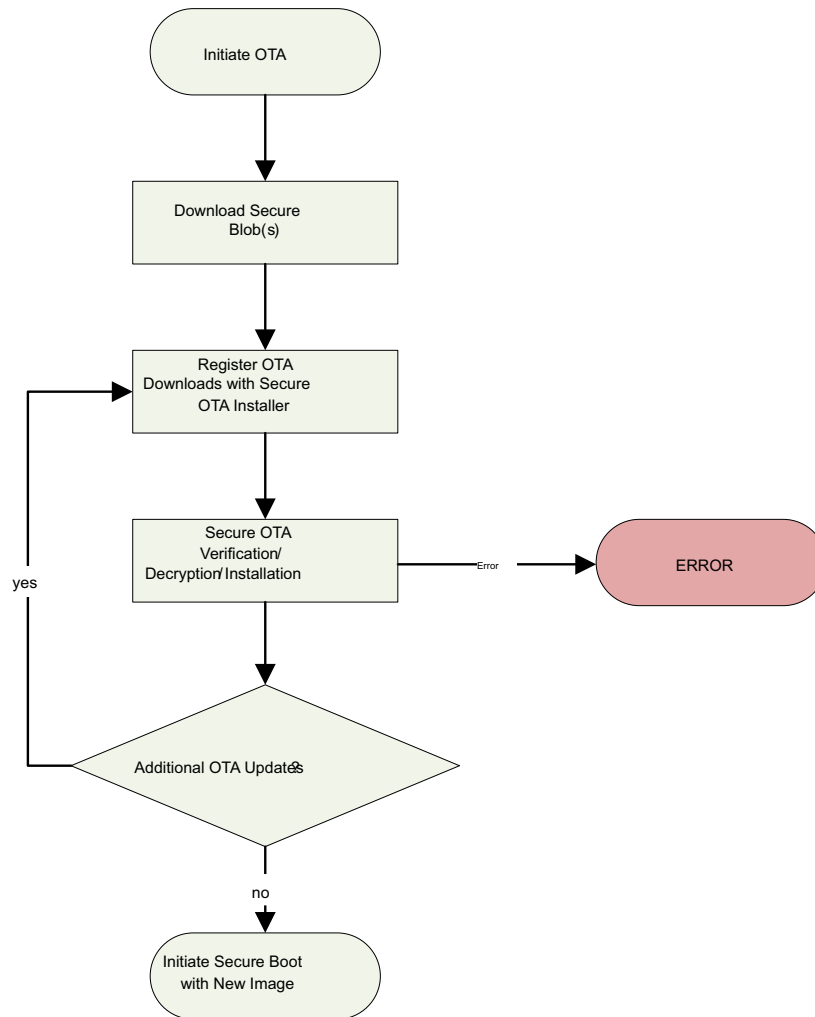


Figure 15. Secure OTA Flow

### 8.4 Secure Key Storage

Key material is managed by hardware and exposed to software via security APIs on the Apollo4 Plus SoC. The keys are stored securely in OTP memory and are never directly accessible to software. Certain key material is used/accessible only during certain life cycle state of the device. These are mainly used for provisioning of the device. See the "Apollo4 Family Security User's Guide" for more details.

**NOTE**

Secure Life Cycle State (LCS) is not supported.

## 8.5 External Flash In-line Encrypt/Decrypt

External flash is supported on Apollo4 Plus SoC via the MSPI controller interface. The MSPI controller supports in-line encrypt/decrypt to enable customers to securely store firmware or any other secure image data in external flash without concern of the firmware/data confidentiality being compromised.

The Ambiq secure in-line encrypt/decrypt provides robust, high performance and extremely low power protection for external flash contents. Ambiq's in-line encrypt/decrypt enables truly in-line capability that does not degrade performance when accessing external flash.

For more details on the in-line support, See "MSPI Master Module" on page 255.

## 8.6 Secure Life Cycle States

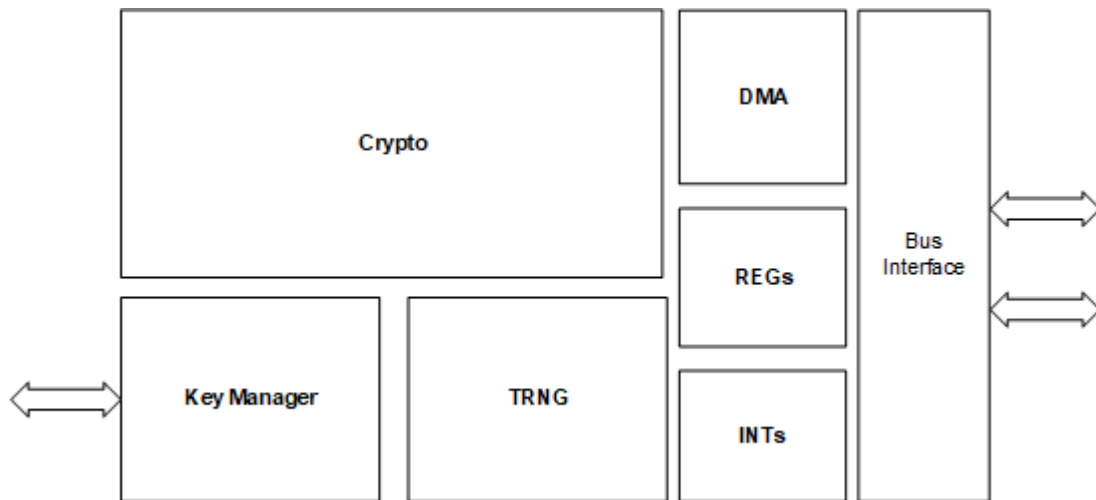
The Apollo4 Plus SoC supports the following life cycle states:

- Chip Manufacturer (CM)
- Device Manufacturer (DM)
- Secure
- RMA

The life cycles are managed by hardware and OTP. See the Apollo4 Security Whitepaper for more details.



## 8.7 Crypto Subsystem



**Figure 16. Crypto Subsystem**

The crypto subsystem provides the following features:

- Cryptographic acceleration for the protection of data-in-transit and data-at-rest.
- Protection of various assets belonging to the chip manufacturer (ICV) or device manufacturer (OEM). Service operators provide services over the target device and the end product. These asset protection features include:
  - Image verification at boot/during runtime
  - Authenticated debug
  - Random number generation
  - Security life cycle state management
  - Asset Provisioning

The following standard specifications are supported:

- FIPS Publication 186-4: Digital Signature Standard (DSS), July 2013, compliant with sections 5.1, 6.2, 6.3, 6.4, B.1.2, B.2.2, B.3.6, B.4.2, C.3.1, C.3.3, C.3.5, C.9, and D.1.2.
- FIPS Publication 197: Advanced Encryption Standard, support only 128-bit and 256-bit keys.
- NIST SP 800-38A: Recommendation for Block Cipher Modes of Operation: Methods and Techniques, compliant with sections 6.1, 6.2, 6.4, and 6.5.
- NIST SP 800-38B: Recommendation for Block Cipher Modes of Operation: the CMAC Mode for Authentication
- NIST SP 800-108: Recommendation for Key Derivation Using Pseudo-random Functions, compliant with section 5.1.
- Standards for Efficient Cryptography Group (SECG): SEC1 Elliptic Curve Cryptography, 2000, compliant with sections 2.1.1, 2.2.1, 3.1.1, 3.2, 3.3.1, 3.6.1, 4, and 6.1.

The crypto subsystem provides the cryptographic acceleration and isolation required to support the Apollo4 security model. These services are managed by software to support private and public-side cryptographic functions.

▪

.

## 9. Counter/Timer Module (TIMER)

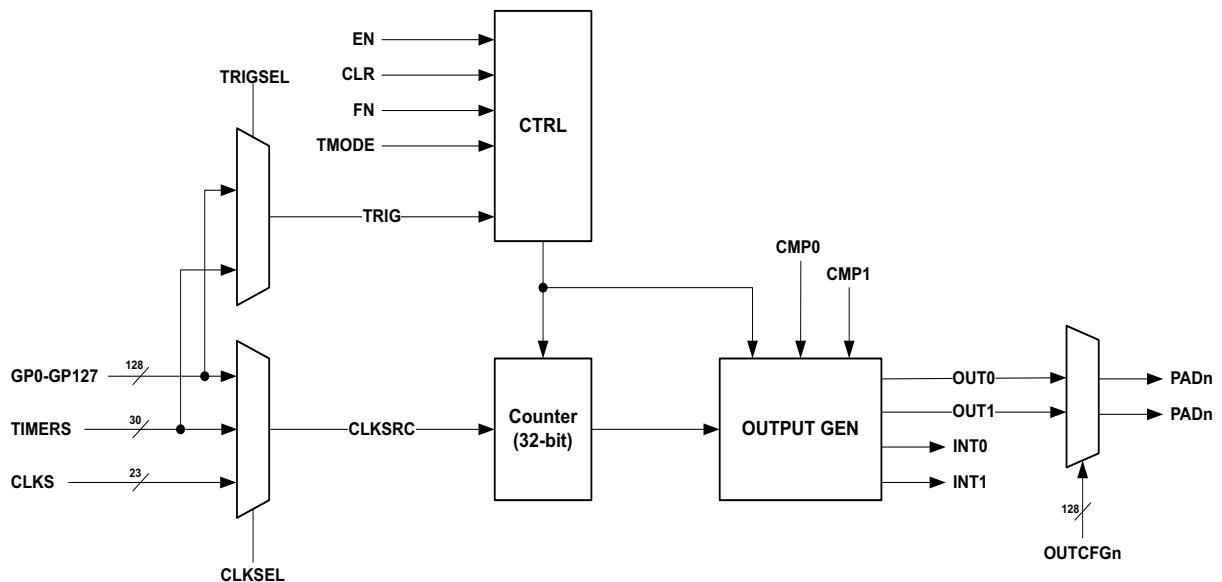


Figure 17. Block Diagram for One Counter/Timer

### 9.1 Functional Overview

The Apollo4 Plus SoC Timer/Counter module includes sixteen Timer/Counters, one of which is shown in Figure 17. This is in addition to a system timer as described in the System Timer chapter. Each Timer/Counter includes a very low power asynchronous 32-bit counter. Each Timer/Counter has external pin connections using any GPIO pads as outputs for each of the two comparators. As well, any GPIO can be selected as the clock or trigger source for any of the timers.

#### NOTE

The Timer/Counter module no longer offers the HCLK\_DIV4 as a timer clock option.

Please refer to the TIMER registers of the Apollo4 Plus SoC register set. The register set for this SoC is delivered as part of the AmbiqSuite SDK. Also available and should be referenced and understood are the Apollo4 Family Programmer's Guide and the Errata List document specific to this Apollo4 family member.

The features of the Timer Module are as follows:

- Sixteen 32-bit binary up-counters used for simple waveform generation, timed interrupt sources, and counting applications.
- Five selectable timer modes - EDGE, UPCOUNT, PWM, SINGLEPATTERN and REPEATPATTERN.
- Each timer (TIMER<sub>n</sub>, where n = 0 to 15) has 2 interrupts, TMR<sub>n</sub>0INT and TMR<sub>n</sub>1INT.
  - In EDGE, UPCOUNT and PWM MODES, TMR<sub>n</sub>0INT is generated when the value of TIMER<sub>n</sub> matches the TMR<sub>n</sub>CMP0 value, and TMR<sub>n</sub>1INT is generated when the value of TIMER<sub>n</sub> matches the TMR<sub>n</sub>CMP1 value.
  - In SINGLEPATTERN and REPEATPATTERN modes, the TMR<sub>n</sub>0INT interrupt, if enabled, is triggered when the TMR<sub>n</sub>LMT value is reached. If TMR<sub>n</sub>LMT was initially set to 31, then TMR<sub>n</sub>1INT will also be triggered if enabled.

- Each timer has two outputs (OUT0 and OUT1) which are controlled by the CMP0 and CMP1 registers based on timer mode and each can be inverted independently.
- Each timer can interface to any GPIO, allowing any GPIO to be driven by any timer output and any GPIO to be used as a timer's clock or trigger.
- All timers are fully independent but can be linked by clocking one timer from another's output.
- Clock sources include several sources from CLKGEN, another timer's output, or any GPIO input.
- Each timer supports an optional trigger condition which starts the timer.
- Counter value may be written directly; otherwise CTRLn\_CLR bit initializes the counter for the selected mode.
- CTRLn\_TMRnLMT field can be set to generate 1-255 repetitions of a waveform (0=unlimited). The TMRnLMTVAL register can be read to see the instantaneous repetition value during operation.
- All timers are up-counters and CMP0 defines the end of a counter cycle; timer either stops or repeats. CMP1 is a secondary comparator.

**NOTE**

DOWNCOUNT mode is no longer supported on any Apollo4 family device.

**NOTE**

CMP0 and CMP1 values should not be changed when the TIMER is running so as not to corrupt the counter.

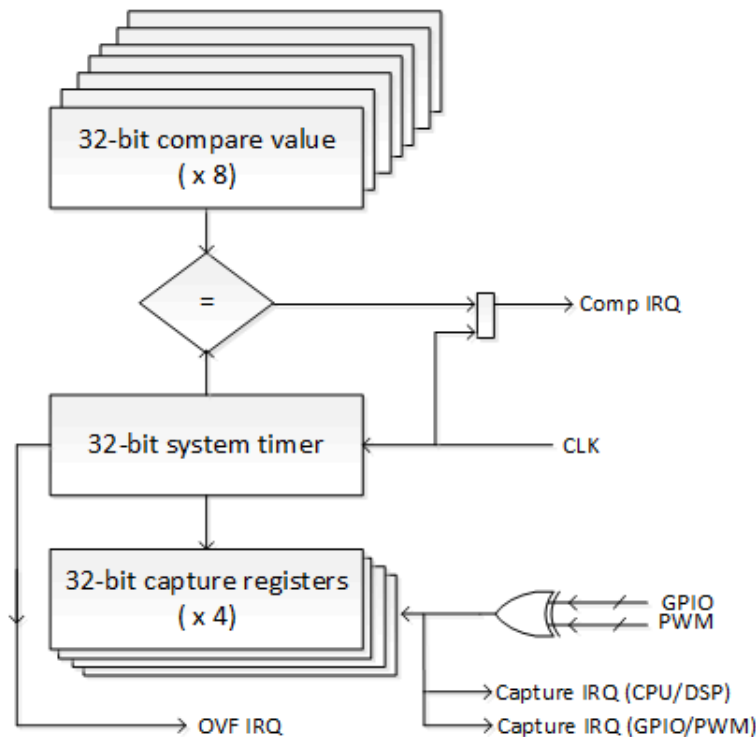
**NOTE**

The CTIMER module used on Apollo3 Blue and earlier SoCs is not used on the Apollo4 Plus SoC. Although similar in design and use, the upgraded timer module on the Apollo4 Plus SoC has differences which should be understood if migrating from an earlier Apollo device.

## 9.2 Additional Information

Please consult the Apollo4 Family Programmer's Guide for additional information about TIMER Module operations.

## 10. System Timer (STIMER)



**Figure 18. Block Diagram for the System Timer**

### 10.1 Functional Overview

The Apollo4 Plus SoC System Timer (STIMER), shown above in Figure 18, tracks the global synchronized counter. It can be used for RTOS scheduling and real-time system tracking. This timer is provided in addition to the other timer peripherals to enable software/firmware to have a simple, globally synchronized timer source.

Please refer to the STIMER registers of the Apollo4 Plus SoC register set. The register set for this SoC is delivered as part of the AmbiqSuite SDK. Also available and should be referenced and understood are the Apollo4 Family Programmer's Guide and the Errata List document specific to this Apollo4 family member.

The System Timer (STIMER) Module provides real time measurement for all task scheduling, sensor sample rate calibration, and tracking of real time and calendar maintenance. Key features are:

- 32-bit binary counter used for RTOS scheduling decisions.
- Eight 32-bit compare and interrupt registers to facilitate light weight scheduling (designs without RTOS).
- Accurate scheduling of comparator interrupts
- Only offsets from "NOW" are written to comparator registers.
- Maintains real time epoch for applications.
- Overflow interrupt to allow firmware to keep the extended part (more than 32-bits) of real time epoch.
- Time stamping hardware for multiple sensor streams (4 capture registers).
- Firmware handling of odd calculations such as Leap Second. It also handles things like surprise/legislated changes to the daylight savings time transition dates.
- Firmware handling of 1024 versus 1000 scaling of real time conversions.

- Only reset by POA (Power On Analog - system cold reset) so that it retains time across all POI and POR (system warm reset) events except full power cycles.
- Contains three 32-bit NVRAM registers that are only reset by POA to maintain real time offset from epoch.
- Programmable external GPIO trigger and/or PWM trigger on capture (required for sensor synchronization)

The heart of the STIMER is a single 32-bit counter that keeps track of current time for the application running on the Apollo4 Plus SoC. This counter is reset at the actual power cycle reset of the SoC. It is generally never reset or changed again. Up to eight 32-bit comparator registers can be loaded each of which can generate an interrupt signal to the NVIC. Comparators A through H generate interrupt A through H while capture registers A through D and the overflow event generate interrupt I, all the way to the NVIC. Thus the scheduler can run these 9 interrupts at different priorities in the NVIC.

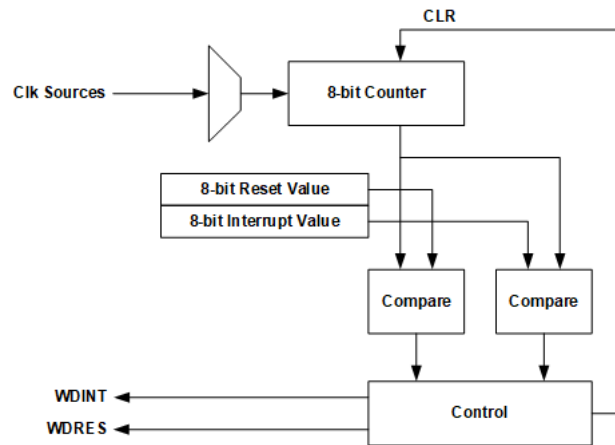
The comparator interrupts are each used to schedule a function (task) to run for the application. Thus these tasks run on interrupt levels at priorities lower than the I/O interrupts.

The overflow interrupt allows firmware to keep track of real time beyond that maintained in the 32-bit timer.

## 10.2 Additional Information

Please consult the Apollo4 Family Programmer's Guide for additional information about CLKGEN and RTC Module operations.

## 11. Watchdog Timer (WDT)



**Figure 19. Block Diagram for the Watchdog Timer Module**

### 11.1 Functional Overview

The Watchdog Timer (WDT), shown in Figure 19, is used to ensure that software is operational, by resetting the Apollo4 Plus SoC if the WDT reaches a configurable value before being cleared by software. The WDT can be clocked by one of four selectable prescalers of the always active low-power LFRC clock, but is nominally clocked at 128 Hz. The WDT may be locked to ensure that software cannot disable its functionality, in which case the WDT\_CFG register cannot be accidentally reprogrammed. An interrupt can also be generated at a different counter value to implement an early warning function.

#### NOTE

The RESEN bit in the WDT\_CFG register must be set and the WDREN bit in the RSTGEN\_CFG register must be set to enable a watchdog timer reset condition.

Please refer to the WDT registers of the Apollo4 Plus SoC register set. The register set for this SoC is delivered as part of the AmbiqSuite SDK. Also available and should be referenced and understood are the Apollo4 Family Programmer's Guide and the Errata List document specific to this Apollo4 family member.

### 11.2 Additional Information

Please consult the Apollo4 Plus SoC Programmer's Guide for additional information about WDT Module operations.

## 12. General Purpose Input/Output (GPIO)

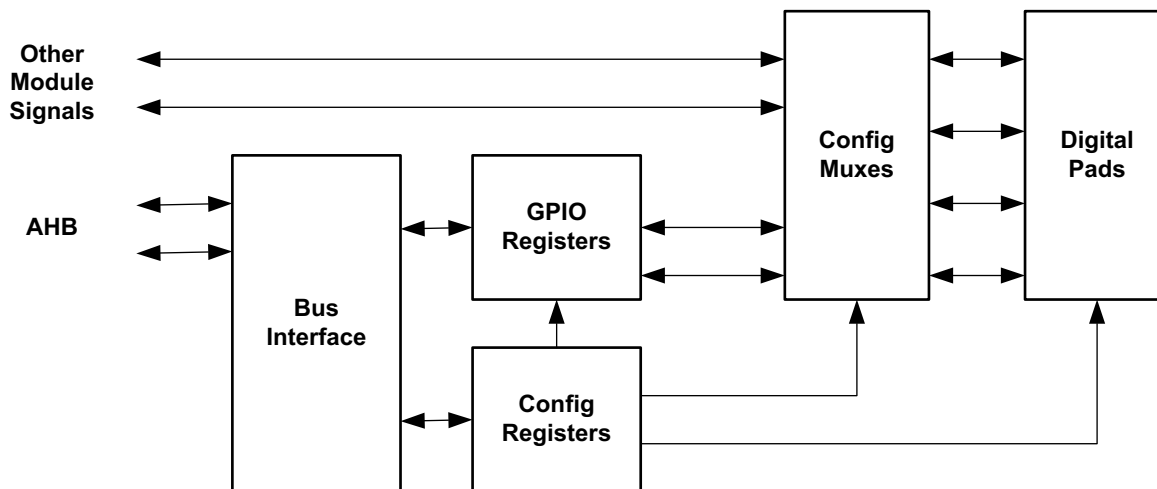


Figure 20. Block diagram for the General Purpose I/O (GPIO) Module

### 12.1 Functional Overview

The General Purpose I/O and Pad Configuration (GPIO) Module, shown in Figure 20, controls connections to up to 105 digital/analog pads<sup>1</sup>. Each pad may be connected to a variety of module interface signals, with all pad input and output selection and control managed by the GPIO module. In addition, any pad may function as a general purpose input and/or output pad which may be configured for a variety of external functions. Each GPIO may be configured to generate an interrupt when a transition occurs on the input. In addition, any GPIO pad brought out to an external pin may be configured as any available chip enable for any IOM or the Display Controller.

For the Apollo4 Plus SoC, the pins available for chip enables for the MSPI instances are limited to: GPIO14, 46, 52, 56, 57, 60, 73, 75, 83, 84, 85, 86, 91 and 93.

See Table 1 - Pin List and Function Table in section 1 for a list of available pin function settings.

Please refer to the GPIO and FPIO registers of the Apollo4 Plus SoC register set. The register set for this SoC is delivered as part of the AmbiqSuite SDK. Also available and should be referenced and understood are the Apollo4 Family Programmer’s Guide and the Errata List document specific to this Apollo4 family member.

**NOTE**

Once the PADKEY is written, it should be explicitly cleared (with a non-key value) after GPIO configuration register updates are complete.

1. GPIO105-127 are reserved and unavailable for use. Not all 105 GPIO are available on all members of the Apollo4 family.



## 12.2 Pad Configuration Functions

Each GPIO on the Apollo4 Plus SoC can be configured as one of several functions according to the Pin Mapping tables starting with Table 5.

The GPIO\_PINCFGn (n = 0 to 104) registers are used to control the function of each pad. Note that the GPIO\_PADKEY Register must be set to the value 0x73 in order to write the PINCFGn registers. The GPIO\_PINCFGn\_FNCSELn (n = 0 to 104) field selects one of up to twelve signals to be used for each pad. Functions are grouped by module per the color coding shown in Table 7. There are several special pad types which are used upon selection of specific pad functions, and these Special Pad Types are defined in Table 8.

### NOTE

Although there are 128 GPIO\_PINCFGn registers present on the chip, the number of pads brought out to pins is limited by the package used. For any pad not brought out to an external pin, it is advised not to change the default settings for any of its configuration registers, as it may result in a state which has not been validated, and unintended device operation may occur.

The GPIO\_PINCFGn\_DS<sub>n</sub> field controls the drive strength of each pad. A drive strength of either 0.1 of full strength (0P1X) or half strength (0P5X) may be selected for any GPIO pin, and 3/4 full strength (0P75X) and full strength (1P0X) are additionally offered on select GPIO pins.

For all pads associated with external pins (non-virtual), the GPIO\_PINCFG\_PULLCFGn field enables a weak pull-down (50K) or a selection of 6 values of pull-up resistor settings - 1.5K, 6K, 12K, 24K, 50K or 100K.

### NOTE

Due to erratum ERR046, function selections Force Input Enable Active (FIEN) and Force Output Enable Active (FOEN) in the PINCFG0 register are not operational for GPIO0. All other selectable functions for GPIO0 work as documented, and FIEN/FOEN operations on other GPIO are not affected by this erratum.

Normally, when either the FIEN and FOEN bit is set for a GPIO, input or output enable is active regardless of the function selected for the GPIO. Otherwise the selected function will enable the output only when needed. This functionality does not work on GPIO0.

The I/O voltage source reference for each pad as listed in the right-most column of the following Pin Mapping tables equates to the corresponding voltage supply shown in Table 4.

**Table 4: I/O Pin Voltage Source**

| I/O Reference | Voltage Supply |
|---------------|----------------|
| 0             | VDDAUDD        |
| 1             | VDDH           |
| 2             | VDDH2          |

## NOTE

Use of the DPI-2 interface, which includes pad functions DISP\_D0 - DISP\_D23, DISP\_VS, DISP\_HS, DISP\_DE, DISP\_PCLK, DISP\_SD and DISP\_CM, is not recommended or supported.

## NOTE

The Secure Bootloader (SBL) uses GPIO28 as the SWO output to make bootup status/information available to the user. This pin is configured as an output and will toggle during bootup. Care should be taken by the user in connecting this pin to an external peripheral.

## NOTE

Pads 37 through 45 have two functions for FNCSEL0 which are associated with data lines for MSPI0 or MSPI1. The setting of the DEVCFG0 field of the MSPI module's DEV0CFG register specifies which of the two MSPI lines uses these pads.

Note that when configuring these pads for the upper 9 data lines for **hex mode on MSPI0**, with pads 64 through 73 configured for the remaining lines for 16-bit data connection to a PSRAM device, the PSRAM control register is still in octal mode. Therefore, the connection needs to be an octal interface for the initial configuration. After configuring the PSRAM for hex interface, then MSPI0 can be re-configured for hex interface with the following settings:

1. Set FNCSEL of GPIO64 to GPIO73 and GPIO37 to GPIO45 to 0.
2. Set MSPI0's DEV0CFG\_DEVCFG0 field for hex interface.
3. Set MSPI0's PADOUTEN\_OUTEN field for hex interface.

Table 5: Apollo4 Plus SoC Pin Mapping (Pg 1)

| Pad | PADnFNCSEL         |           |            |        |           |          |      |       |            |            |        | I/O Voltage |
|-----|--------------------|-----------|------------|--------|-----------|----------|------|-------|------------|------------|--------|-------------|
|     | 0                  | 1         | 2          | 3      | 4         | 5        | 6    | 7     | 9          | 10         | 11     |             |
| 0   | SWTRACECLK         | SLSCL     | SLSCK      | GPIO00 | UART0TX   | UART1TX  | CT0  | NCE0  | VCMP0      | -          | FPIO00 | 1           |
| 1   | SWTRACE0           | SLSDAWIR3 | SLMOSI     | GPIO01 | UART2TX   | UART3TX  | CT1  | NCE1  | VCMP0      | -          | FPIO01 | 1           |
| 2   | SWTRACE1           | SLMISO    | TRIG1      | GPIO02 | UART0RX   | UART1RX  | CT2  | NCE2  | VCMP0      | -          | FPIO02 | 1           |
| 3   | SWTRACE2           | SlnCE     | SWO        | GPIO03 | UART2RX   | UART3RX  | CT3  | NCE3  | -          | -          | FPIO03 | 1           |
| 4   | SWTRACE3           | SLINT     | 32KHzXT    | GPIO04 | UART0RTS  | UART1RTS | CT4  | NCE4  | I2S0_SDIN  | I2S1_SDIN  | FPIO04 | 1           |
| 5   | M0SCL              | M0SCK     | I2S0_CLK   | GPIO05 | UART2RTS  | UART3RTS | CT5  | NCE5  | -          | I2S1_CLK   | FPIO05 | 1           |
| 6   | M0SDAWIR3          | M0MOSI    | I2S0_DATA  | GPIO06 | UART0CTS  | UART1CTS | CT6  | NCE6  | I2S0_SDOUT | I2S1_SDOUT | FPIO06 | 1           |
| 7   | M0MISO             | TRIG0     | I2S0_WS    | GPIO07 | UART2CTS  | UART3CTS | CT7  | NCE7  | -          | I2S1_WS    | FPIO07 | 1           |
| 8   | CMPRF1             | TRIG1     | -          | GPIO08 | M1SCL     | M1SCK    | CT8  | NCE8  | -          | -          | FPIO08 | 2           |
| 9   | CMPRF0             | TRIG2     | -          | GPIO09 | M1SDAWIR3 | M1MOSI   | CT9  | NCE9  | -          | -          | FPIO09 | 2           |
| 10  | CMPIN0             | TRIG3     | -          | GPIO10 | M1MISO    | -        | CT10 | NCE10 | DISP_TE    | -          | FPIO10 | 2           |
| 11  | CMPIN1             | TRIG0     | I2S0_CLK   | GPIO11 | UART2RX   | UART3RX  | CT11 | NCE11 | -          | -          | FPIO11 | 2           |
| 12  | ADCSE7             | TRIG1     | I2S0_DATA  | GPIO12 | UART0TX   | UART1TX  | CT12 | NCE12 | CMPRF2     | I2S0_SDOUT | FPIO12 | 2           |
| 13  | ADCSE6             | TRIG2     | I2S0_WS    | GPIO13 | UART2TX   | UART3TX  | CT13 | NCE13 | -          | -          | FPIO13 | 2           |
| 14  | ADCSE5             | TRIG3     | -          | GPIO14 | -         | UART1RX  | CT14 | NCE14 | -          | I2S0_SDIN  | FPIO14 | 2           |
| 15  | ADCSE4             | TRIG0     | -          | GPIO15 | -         | UART3RX  | CT15 | NCE15 | -          | REFCLK_EXT | FPIO15 | 2           |
| 16  | ADCSE3             | TRIG1     | I2S1_CLK   | GPIO16 | -         | UART1RTS | CT16 | NCE16 | -          | -          | FPIO16 | 2           |
| 17  | ADCSE2             | TRIG2     | I2S1_DATA  | GPIO17 | -         | UART3RTS | CT17 | NCE17 | I2S1_SDOUT | -          | FPIO17 | 2           |
| 18  | ADCSE1             | -         | I2S1_WS    | GPIO18 | UART0CTS  | UART1CTS | CT18 | NCE18 | -          | -          | FPIO18 | 2           |
| 19  | ADCSE0             | -         | -          | GPIO19 | UART2CTS  | UART3CTS | CT19 | NCE19 | I2S1_SDIN  | -          | FPIO19 | 2           |
| 20  | SWDCK              | TRIG1     | -          | GPIO20 | UART0TX   | UART1TX  | CT20 | NCE20 | -          | -          | FPIO20 | 1           |
| 21  | SWDIO              | TRIG2     | -          | GPIO21 | UART2TX   | UART3TX  | CT21 | NCE21 | -          | -          | FPIO21 | 1           |
| 22  | M7SCL              | M7SCK     | SWO        | GPIO22 | UART0RX   | UART1RX  | CT22 | NCE22 | VCMP0      | -          | FPIO22 | 2           |
| 23  | M7SDAWIR3          | M7MOSI    | SWO        | GPIO23 | UART2RX   | UART3RX  | CT23 | NCE23 | VCMP0      | -          | FPIO23 | 2           |
| 24  | M7MISO             | TRIG3     | SWO        | GPIO24 | UART0RTS  | UART1RTS | CT24 | NCE24 | -          | -          | FPIO24 | 2           |
| 25  | M2SCL              | M2SCK     | -          | GPIO25 | -         | -        | CT25 | NCE25 | -          | -          | FPIO25 | 1           |
| 26  | M2SDAWIR3          | M2MOSI    | -          | GPIO26 | -         | -        | CT26 | NCE26 | VCMP0      | -          | FPIO26 | 1           |
| 27  | M2MISO             | TRIG0     | -          | GPIO27 | -         | -        | CT27 | NCE27 | I2S0_SDIN  | -          | FPIO27 | 1           |
| 28  | SWO                | VCMP0     | I2S0_CLK   | GPIO28 | UART2CTS  | -        | CT28 | NCE28 | -          | -          | FPIO28 | 1           |
| 29  | TRIG0              | VCMP0     | I2S0_DATA  | GPIO29 | UART1CTS  | -        | CT29 | NCE29 | I2S0_SDOUT | -          | FPIO29 | 1           |
| 30  | TRIG1              | VCMP0     | I2S0_WS    | GPIO30 | UART0TX   | -        | CT30 | NCE30 | -          | -          | FPIO30 | 1           |
| 31  | M3SCL              | M3SCK     | -          | GPIO31 | UART2TX   | -        | CT31 | NCE31 | VCMP0      | -          | FPIO31 | 1           |
| 32  | M3SDAWIR3          | M3MOSI    | -          | GPIO32 | UART0RX   | -        | CT32 | NCE32 | -          | -          | FPIO32 | 1           |
| 33  | M3MISO             | CLKOUT    | -          | GPIO33 | UART2RX   | -        | CT33 | NCE33 | DISP_TE    | -          | FPIO33 | 1           |
| 34  | M4SCL              | M4SCK     | SWO        | GPIO34 | UART0TX   | -        | CT34 | NCE34 | VCMP0      | -          | FPIO34 | 1           |
| 35  | M4SDAWIR3          | M4MOSI    | SWO        | GPIO35 | UART2TX   | UART3TX  | CT35 | NCE35 | VCMP0      | -          | FPIO35 | 1           |
| 36  | M4MISO             | TRIG0     | SWO        | GPIO36 | UART0RX   | UART1RX  | CT36 | NCE36 | -          | -          | FPIO36 | 1           |
| 37  | MSPi0_10 / MSPi1_0 | TRIG1     | 32KHzXT    | GPIO37 | UART2RX   | DISP_D15 | CT37 | NCE37 | -          | -          | FPIO37 | 1           |
| 38  | MSPi0_11 / MSPi1_1 | TRIG2     | SWTRACECLK | GPIO38 | UART0RTS  | DISP_D16 | CT38 | NCE38 | -          | -          | FPIO38 | 1           |
| 39  | MSPi0_12 / MSPi1_2 | TRIG3     | SWTRACE0   | GPIO39 | UART2RTS  | DISP_D17 | CT39 | NCE39 | -          | -          | FPIO39 | 1           |
| 40  | MSPi0_13 / MSPi1_3 | TRIG1     | SWTRACE1   | GPIO40 | UART0CTS  | DISP_D18 | CT40 | NCE40 | -          | -          | FPIO40 | 1           |
| 41  | MSPi0_14 / MSPi1_4 | TRIG0     | SWTRACE2   | GPIO41 | UART0TX   | DISP_D19 | CT41 | NCE41 | SWO        | -          | FPIO41 | 1           |
| 42  | MSPi0_15 / MSPi1_5 | TRIG2     | SWTRACE3   | GPIO42 | UART2TX   | DISP_D20 | CT42 | NCE42 | -          | -          | FPIO42 | 1           |
| 43  | MSPi0_16 / MSPi1_6 | TRIG3     | SWTRACECTL | GPIO43 | UART0RX   | DISP_D21 | CT43 | NCE43 | -          | -          | FPIO43 | 1           |
| 44  | MSPi0_17 / MSPi1_7 | TRIG1     | SWO        | GPIO44 | UART2RX   | DISP_D22 | CT44 | NCE44 | VCMP0      | -          | FPIO44 | 1           |
| 45  | MSPi0_18 / MSPi1_8 | TRIG2     | 32KHzXT    | GPIO45 | UART0TX   | DISP_D23 | CT45 | NCE45 | -          | -          | FPIO45 | 1           |
| 46  | MSPi1_9            | TRIG3     | CLKOUT_32M | GPIO46 | UART2TX   | UART3TX  | CT46 | NCE46 | I2S1_SDIN  | I2S0_SDIN  | FPIO46 | 1           |
| 47  | M5SCL              | M5SCK     | I2S1_CLK   | GPIO47 | UART0RX   | UART1RX  | CT47 | NCE47 | -          | I2S0_CLK   | FPIO47 | 1           |
| 48  | M5SDAWIR3          | M5MOSI    | I2S1_DATA  | GPIO48 | UART2RX   | UART3RX  | CT48 | NCE48 | I2S1_SDOUT | I2S0_SDOUT | FPIO48 | 1           |
| 49  | M5MISO             | TRIG0     | I2S1_WS    | GPIO49 | UART0RTS  | UART1RTS | CT49 | NCE49 | -          | I2S0_WS    | FPIO49 | 1           |
| 50  | PDM0_CLK           | TRIG0     | SWTRACECLK | GPIO50 | UART2RTS  | UART3RTS | CT50 | NCE50 | DISP_TE    | -          | FPIO50 | 0           |
| 51  | PDM0_DATA          | TRIG1     | SWTRACE0   | GPIO51 | UART0CTS  | UART1CTS | CT51 | NCE51 | -          | -          | FPIO51 | 0           |
| 52  | PDM1_CLK           | TRIG2     | SWTRACE1   | GPIO52 | UART2CTS  | UART3CTS | CT52 | NCE52 | VCMP0      | -          | FPIO52 | 0           |

Table 6: Apollo4 Plus SoC Pin Mapping (Pg 2)

| Pad | PADnFNCSEL |                  |               |         |          |           |       |        |              |              |         | I/O Voltage |
|-----|------------|------------------|---------------|---------|----------|-----------|-------|--------|--------------|--------------|---------|-------------|
|     | 0          | 1                | 2             | 3       | 4        | 5         | 6     | 7      | 9            | 10           | 11      |             |
| 53  | PDM1_DATA  | TRIG3            | SWTRACE2      | GPIO53  | UART0TX  | UART1TX   | CT53  | NCE53  | -            | -            | FPIO53  | 0           |
| 54  | PDM2_CLK   | TRIG0            | SWTRACE3      | GPIO54  | UART2TX  | UART3TX   | CT54  | NCE54  | -            | -            | FPIO54  | 0           |
| 55  | PDM2_DATA  | TRIG1            | SWTRACECTL    | GPIO55  | UART0RX  | UART1RX   | CT55  | NCE55  | -            | -            | FPIO55  | 0           |
| 56  | PDM3_CLK   | TRIG2            | SWO           | GPIO56  | UART2RX  | UART3RX   | CT56  | NCE56  | -            | -            | FPIO56  | 0           |
| 57  | PDM3_DATA  | TRIG3            | SWO           | GPIO57  | UART0RTS | UART1RTS  | CT57  | NCE57  | VCMP0        | -            | FPIO57  | 0           |
| 58  | -          | -                | -             | GPIO58  | UART0RTS | UART3RTS  | CT58  | NCE58  | -            | -            | FPIO58  | 1           |
| 59  | -          | TRIG0            | -             | GPIO59  | UART0CTS | UART1CTS  | CT59  | NCE59  | -            | -            | FPIO59  | 1           |
| 60  | -          | TRIG1            | -             | GPIO60  | UART0TX  | UART3CTS  | CT60  | NCE60  | -            | -            | FPIO60  | 1           |
| 61  | M6SCL      | M6SCK            | I2S1_CLK      | GPIO61  | UART2TX  | UART3TX   | CT61  | NCE61  | -            | -            | FPIO61  | 1           |
| 62  | M6SDAWIR3  | M6MOSI           | I2S1_DATA     | GPIO62  | UART0RX  | UART1RX   | CT62  | NCE62  | I2S1_SDOU    | -            | FPIO62  | 1           |
| 63  | M6MISO     | CLKOUT           | I2S1_WS       | GPIO63  | UART2RX  | UART3RX   | CT63  | NCE63  | DISP_TE      | -            | FPIO63  | 1           |
| 64  | MSPI0_0    | 32KHzXT          | SWO           | GPIO64  | UART0RTS | DISP_D0   | CT64  | NCE64  | I2S1_SDIN    | -            | FPIO64  | 1           |
| 65  | MSPI0_1    | 32KHzXT          | SWO           | GPIO65  | UART0CTS | DISP_D1   | CT65  | NCE65  | -            | -            | FPIO65  | 1           |
| 66  | MSPI0_2    | CLKOUT           | SWO           | GPIO66  | UART0TX  | DISP_D2   | CT66  | NCE66  | -            | -            | FPIO66  | 1           |
| 67  | MSPI0_3    | CLKOUT           | SWO           | GPIO67  | UART2TX  | DISP_D3   | CT67  | NCE67  | -            | -            | FPIO67  | 1           |
| 68  | MSPI0_4    | SWO              | -             | GPIO68  | UART0RX  | DISP_D4   | CT68  | NCE68  | -            | -            | FPIO68  | 1           |
| 69  | MSPI0_5    | 32KHzXT          | SWO           | GPIO69  | UART2RX  | DISP_D5   | CT69  | NCE69  | -            | -            | FPIO69  | 1           |
| 70  | MSPI0_6    | 32KHzXT          | SWTRACE0      | GPIO70  | UART0RTS | DISP_D6   | CT70  | NCE70  | -            | -            | FPIO70  | 1           |
| 71  | MSPI0_7    | CLKOUT           | SWTRACE1      | GPIO71  | UART0CTS | DISP_D7   | CT71  | NCE71  | -            | -            | FPIO71  | 1           |
| 72  | MSPI0_8    | CLKOUT           | SWTRACE2      | GPIO72  | UART0TX  | DISP_D8   | CT72  | NCE72  | VCMP0        | -            | FPIO72  | 1           |
| 73  | MSPI0_9    | -                | SWTRACE3      | GPIO73  | UART2TX  | DISP_D9   | CT73  | NCE73  | -            | -            | FPIO73  | 1           |
| 74  | MSPI2_0    | DISP_QSPI_D0_OUT | DISP_QSPI_D0  | GPIO74  | UART0RX  | DISP_D10  | CT74  | NCE74  | DISP_SPI_SD  | DISP_SPI_SDO | FPIO74  | 1           |
| 75  | MSPI2_1    | 32KHzXT          | DISP_QSPI_D1  | GPIO75  | UART2RX  | DISP_D11  | CT75  | NCE75  | DISP_SPI_DCX | -            | FPIO75  | 1           |
| 76  | MSPI2_2    | 32KHzXT          | DISP_QSPI_D2  | GPIO76  | UART0RTS | DISP_D12  | CT76  | NCE76  | -            | -            | FPIO76  | 1           |
| 77  | MSPI2_3    | -                | DISP_QSPI_D3  | GPIO77  | UART0CTS | DISP_D13  | CT77  | NCE77  | -            | -            | FPIO77  | 1           |
| 78  | MSPI2_4    | -                | DISP_QSPI_SCK | GPIO78  | UART0TX  | DISP_D14  | CT78  | NCE78  | DISP_SPI_SCK | -            | FPIO78  | 1           |
| 79  | MSPI2_5    | -                | SDIF_DAT4     | GPIO79  | SWO      | DISP_VS   | CT79  | NCE79  | DISP_SPI_SDI | -            | FPIO79  | 1           |
| 80  | MSPI2_6    | CLKOUT           | SDIF_DAT5     | GPIO80  | SWTRACE0 | DISP_HS   | CT80  | NCE80  | -            | -            | FPIO80  | 1           |
| 81  | MSPI2_7    | CLKOUT           | SDIF_DAT6     | GPIO81  | SWTRACE1 | DISP_DE   | CT81  | NCE81  | -            | -            | FPIO81  | 1           |
| 82  | MSPI2_8    | 32KHzXT          | SDIF_DAT7     | GPIO82  | SWTRACE2 | DISP_PCLK | CT82  | NCE82  | -            | -            | FPIO82  | 1           |
| 83  | MSPI2_9    | 32KHzXT          | SDIF_CMD      | GPIO83  | SWTRACE3 | DISP_SD   | CT83  | NCE83  | -            | -            | FPIO83  | 1           |
| 84  | -          | -                | SDIF_DAT0     | GPIO84  | -        | -         | CT84  | NCE84  | -            | -            | FPIO84  | 1           |
| 85  | -          | -                | SDIF_DAT1     | GPIO85  | -        | -         | CT85  | NCE85  | -            | -            | FPIO85  | 1           |
| 86  | -          | -                | SDIF_DAT2     | GPIO86  | -        | -         | CT86  | NCE86  | -            | -            | FPIO86  | 1           |
| 87  | -          | -                | SDIF_DAT3     | GPIO87  | -        | -         | CT87  | NCE87  | DISP_TE      | -            | FPIO87  | 1           |
| 88  | -          | -                | SDIF_CLKOUT   | GPIO88  | -        | -         | CT88  | NCE88  | -            | -            | FPIO88  | 1           |
| 89  | -          | -                | -             | GPIO89  | -        | DISP_CM   | CT89  | NCE89  | -            | -            | FPIO89  | 1           |
| 90  | -          | -                | -             | GPIO90  | -        | -         | CT90  | NCE90  | VCMP0        | -            | FPIO90  | 1           |
| 91  | -          | -                | -             | GPIO91  | -        | -         | CT91  | NCE91  | VCMP0        | -            | FPIO91  | 1           |
| 92  | -          | -                | -             | GPIO92  | -        | -         | CT92  | NCE92  | VCMP0        | -            | FPIO92  | 1           |
| 93  | MSPI2_9    | -                | -             | GPIO93  | -        | -         | CT93  | NCE93  | VCMP0        | -            | FPIO93  | 1           |
| 94  | -          | -                | -             | GPIO94  | -        | -         | CT94  | NCE94  | VCMP0        | -            | FPIO94  | 1           |
| 95  | -          | -                | -             | GPIO95  | -        | -         | CT95  | NCE95  | -            | -            | FPIO95  | 1           |
| 96  | -          | -                | -             | GPIO96  | -        | -         | CT96  | NCE96  | -            | -            | FPIO96  | 1           |
| 97  | -          | -                | -             | GPIO97  | -        | -         | CT97  | NCE97  | -            | -            | FPIO97  | 1           |
| 98  | -          | -                | -             | GPIO98  | -        | -         | CT98  | NCE98  | -            | -            | FPIO98  | 1           |
| 99  | -          | -                | -             | GPIO99  | -        | -         | CT99  | NCE99  | -            | -            | FPIO99  | 1           |
| 100 | -          | -                | -             | GPIO100 | -        | -         | CT100 | NCE100 | -            | -            | FPIO100 | 1           |
| 101 | -          | -                | -             | GPIO101 | -        | -         | CT101 | NCE101 | -            | -            | FPIO101 | 1           |
| 102 | -          | -                | -             | GPIO102 | -        | -         | CT102 | NCE102 | -            | -            | FPIO102 | 1           |
| 103 | -          | -                | -             | GPIO103 | -        | -         | CT103 | NCE103 | -            | -            | FPIO103 | 1           |
| 104 | -          | -                | -             | GPIO104 | -        | -         | CT104 | NCE104 | -            | -            | FPIO104 | 1           |

Table 7: Pad Function Color Code

| Color/Symbol | Module                      |
|--------------|-----------------------------|
| Analog       | Analog Modules (ADC, VCOMP) |
| CLKOUT       | Clock output                |
| Debug        | Debug/Special               |
| DISPLAY      | Display                     |
| Global IOM   | Shared IOM/MSPI             |
| GPIO         | GPIO                        |
| I2S0         | I2S 0                       |
| I2S1         | I2S 1                       |
| IOM0         | IO Master 0                 |
| IOM1         | IO Master 1                 |
| IOM2         | IO Master 2                 |
| IOM3         | IO Master 3                 |
| IOM4         | IO Master 4                 |
| IOM5         | IO Master 5                 |
| IOM6         | IO Master 6                 |
| IOM7         | IO Master 7                 |
| IOS          | IO Slave                    |
| MIPI         | MIPI                        |
| MSPI0        | MSPI0                       |
| MSPI1        | MSPI1                       |
| MSPI2        | MSPI2                       |
| PDM0         | PDM 0                       |
| PDM1         | PDM 1                       |
| PDM2         | PDM 2                       |
| PDM3         | PDM 3                       |
| SDIO         | SDIO                        |
| TCT          | Counter/Timers              |
| UART0        | UART 0                      |
| UART1        | UART 1                      |
| UART2        | UART 2                      |
| UART3        | UART 3                      |

## NOTE

Not all derivatives and packages include all of the module instances shown in the Pad Function Color Table.

Table 8: Special Pad Types

| GPIO Pad Number | Function Select Number | Pad Function Name | Functional Interface | Description                                   | Pin Type                 |
|-----------------|------------------------|-------------------|----------------------|---|--------------------------|
| 1               | 1                      | SLSDAWIR3         | IO Slave I2C         | I2C Slave I/O data (I2C) 3 Wire Data (SPI)    | Bidirectional Open Drain |
| 5               | 0                      | M0SCL             | IO Master 0 I2C      | I2C Master 0 clock                            | Open Drain Output        |
| 6               | 0                      | M0SDAWIR3         | IO Master 0 I2C      | I2C Master 0 I/O data (I2C) 3 Wire data (SPI) | Bidirectional Open Drain |
| 8               | 4                      | M1SCL             | IO Master 1 I2C      | I2C Master 1 clock                            | Open Drain Output        |
| 9               | 4                      | M1SDAWIR3         | IO Master 1 I2C      | I2C Master 1 I/O data (I2C) 3 Wire data (SPI) | Bidirectional Open Drain |
| 21              | 0                      | SWDIO             | Debug                | Software data I/O                             | Bidirectional 3-state    |
| 22              | 0                      | M7SCL             | IO Master 7 I2C      | I2C Master 7 Clk                              | Bidirectional Open Drain |
| 23              | 0                      | M7SDAWIR3         | IO Master 7 I2C      | I2C Master 7 I/O data (I2C) 3 Wire data (SPI) | Bidirectional Open Drain |
| 25              | 0                      | M2SCL             | IO Master 2 I2C      | I2C Master 2 clock                            | Open Drain Output        |
| 26              | 0                      | M2SDAWIR3         | IO Master 2 I2C      | I2C Master 2 I/O data (I2C) 3 Wire data (SPI) | Bidirectional Open Drain |
| 31              | 0                      | M3SCL             | IO Master 3 I2C      | I2C Master 3 clock                            | Open Drain Output        |
| 32              | 0                      | M3SDAWIR3         | IO Master 3 I2C      | I2C Master 3 I/O data (I2C) 3 Wire data (SPI) | Bidirectional Open Drain |
| 35              | 0                      | M4SDAWIR3         | IO Master 4 I2C      | I2C Master 4 I/O data (I2C) 3 Wire data (SPI) | Bidirectional Open Drain |
| 47              | 0                      | M5SCL             | IO Master 5 I2C      | I2C Master 5 Clk                              | Bidirectional Open Drain |
| 48              | 0                      | M5SDAWIR3         | IO Master 5 I2C      | I2C Master 5 I/O data (I2C) 3 Wire data (SPI) | Bidirectional Open Drain |
| 61              | 0                      | M6SCL             | IO Master 6 I2C      | I2C Master 6 Clk                              | Bidirectional Open Drain |
| 62              | 0                      | M6SDAWIR3         | IO Master 6 I2C      | I2C Master 6 I/O data (I2C) 3 Wire data (SPI) | Bidirectional Open Drain |

### 12.3 Fast GPIO (FPIO)

Access to GPIO pin registers on the Apollo4 Plus SoC can be multiple CPU cycles to complete. To support certain functions that require shorter latency access, a Fast GPIO (FPIO) interface is supported. The Fast GPIO is accessed via the FPIO registers.

#### NOTE

Retention of FPIO output pin state is not guaranteed through deep sleep.

Please refer to the FPIO registers of the Apollo4 Plus SoC register set. The register set for this SoC is delivered as part of the AmbiqSuite SDK. Also available and should be referenced and understood are the Apollo4 Family Programmer's Guide and the Errata List document specific to this Apollo4 family member.

### 12.4 Additional Information

Please consult the Apollo4 Family Programmer's Guide for additional information about GPIO Module operations.

## 13. General Purpose ADC and Temperature Sensor Module

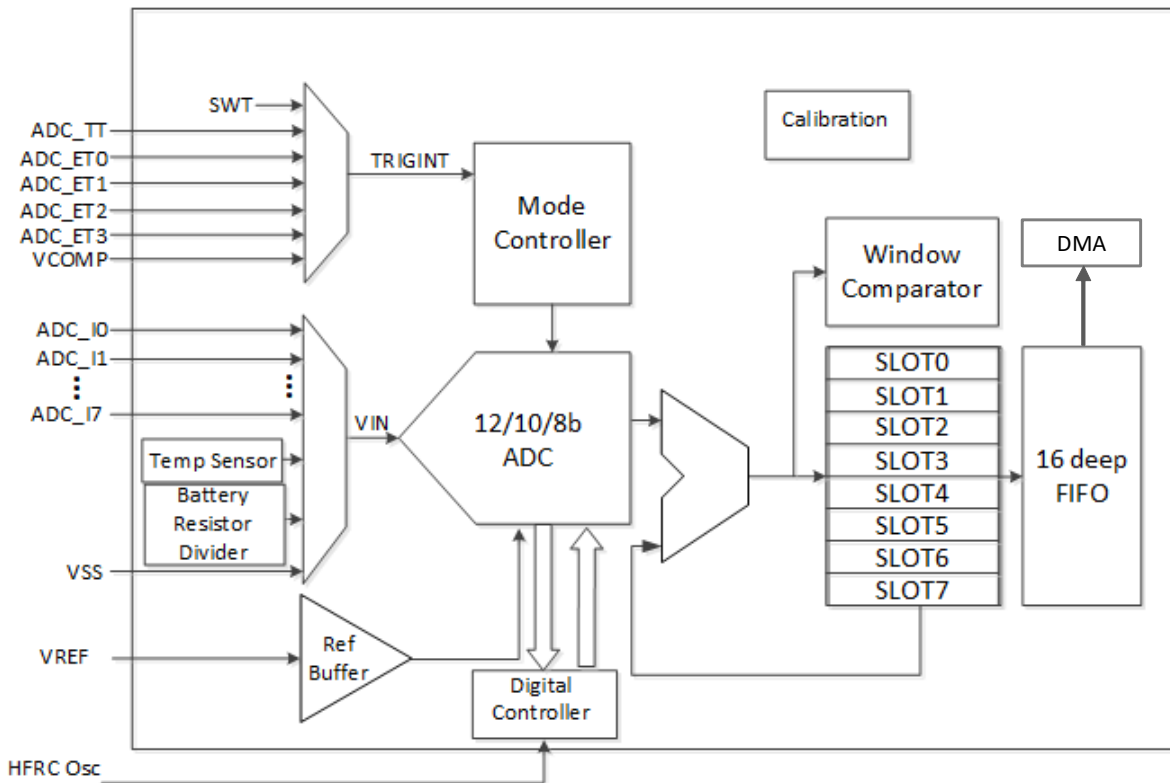


Figure 21. Block Diagram for ADC and Temperature Sensor

### 13.1 Features

The general purpose Analog-to-Digital Converter (ADC) and Temperature Sensor Module includes a single-ended 12-bit multi-channel Successive Approximation Register (SAR) ADC as shown in Figure 21.

Key features include:

- 11 user-selectable channels with sources including:
  - External pins
    - 8 single ended external pins
  - Internal voltage (VSS)
  - Voltage divider (battery)
  - Temperature sensor
- Configurable automatic low power control between scans
- Optional Battery load enable for voltage divider measurement
- Single shot, repeating single shot, scan, and repeating scan modes
- Variable sample tracking time, configurable on per-slot basis
- User-selectable clock source for variable sampling rates
- Automatically accumulate and scale module for hardware averaging of samples
- A 16-entry FIFO and DMA capability for storing measurement results and maximizing MCU sleep time
- Window comparator for monitoring voltages excursions into or out of user-selectable thresholds
- Support for up to 2.8 MS/s effective continuous, multi-slot sampling rate (8-bit mode) - see note in Functional Overview section below

- Interrupts for FIFO full, FIFO almost full, Scan Complete, Conversion Complete, Window Incursion Window Excursion, and various DMA-related notifications

Please refer to the ADC registers of the Apollo4 Plus SoC register set. The register set for this SoC is delivered as part of the AmbiqSuite SDK. Also available and should be referenced and understood are the Apollo4 Family Programmer's Guide and the Errata List document specific to this Apollo4 family member.

## 13.2 Functional Overview

The Apollo4 Plus SoC integrates a sophisticated 12-bit successive approximation Analog to Digital Converter (ADC) block for sensing both internal and external voltages. The block provides eight separately managed conversion requests, called slots which are serially sequenced. The result of each conversion requests is delivered to a 16 deep FIFO. Firmware can utilize various interrupt notifications to determine when to collect the sampled data from the FIFO or from a buffer written by DMA. This block is extremely effective at automatically managing its power states and its clock sources.

When the ADC block is enabled and has an active scan in progress, it requests a clock source. There is an automatic hardware hand shake between the clock generator and the ADC. If the ADC is the only block requesting an HFRC based clock, then the HFRC will be automatically started. The ADC can be configured to completely power down the HFRC between scans if the startup latency is acceptable or it can leave the HFRC powered on between scans if the application requires low latency between successive conversions.

The ADC on all Apollo4 family SoCs offers four options for the reference clock source and frequency via the ADC's CFG\_CLKSEL field:

1. HFRC at 48 MHz (default setting)
2. Inverted HFRC at 48 MHz
3. HFRC at 24 MHz
4. HFRC2 at 48 MHz

Sampling rate is calculated by dividing the ADC clock rate by the number of output data latency cycles, or FCLK / LCR. The output data latency, LCR, consists of the number of sampling cycles, NTRACK, plus a number of base latency cycles such that  $LCR = NTRACK + NBASE$ . NTRACK can be any number of sampling cycles from 5 to 69 cycles, while NBASE varies depending on the precision mode as: 19 cycles for 12-bit mode, 15 cycles for 10-bit mode, and 12 cycles for 8-bit mode.

### NOTE

Due to two chip errata, ERR091 and ERR113, only the 24 MHz HFRC setting (CFG\_CLKSEL = 0x2) is supported. The other three clock options should not be used. In addition, at least 37 sampling/tracking cycles (SLnCFG\_TRKCYCn = 0x20) must be used to prevent the conversion data corruption described in the ERR113. With the above settings, the maximum sampling rate achievable in 8-bit precision mode is:  $24 \text{ MHz} / (37 \text{ cycles} + 12 \text{ cycles}) = 490 \text{ KS/s}$ .

## 13.3 Voltage Reference Source

The Apollo4 Plus SoC ADC supports one internal reference source to be used for the analog to digital conversion step. The reference voltage is 1.19 V and is not user settable. ADC input voltages > 1.19 V exceed the ADC range and return full scale code, but will not damage ADC inputs.



### 13.4 Voltage Divider and Switchable Battery Load

The Apollo4 Plus SoC's ADC includes a switchable voltage divider that enables the ADC to measure the input voltage to the VDD rail. In most systems this will be the battery voltage applied to the SoC. The voltage divider is only switched on when one of the active slots is selecting analog mux channel 15. That is only when the mode controller is ultimately triggered and powers up the ADC block for a conversion scan of all active slots. Otherwise, the voltage divider is turned off.

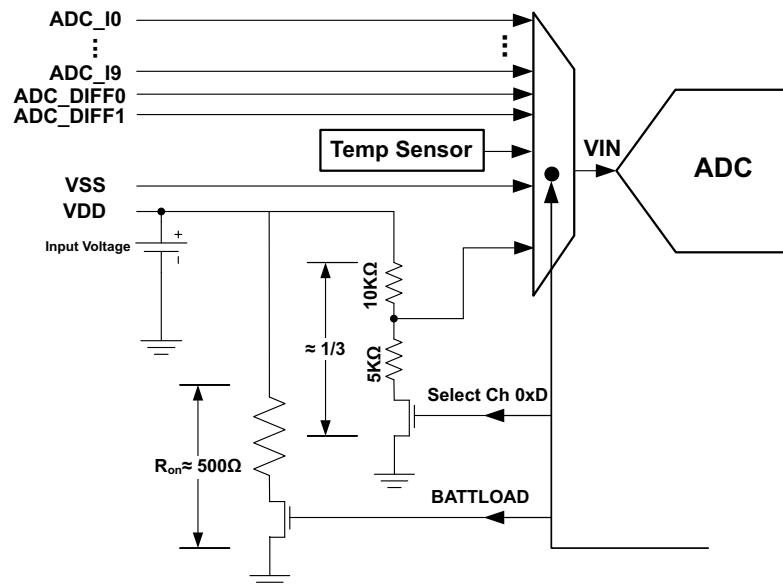


Figure 22. Switchable Battery Load

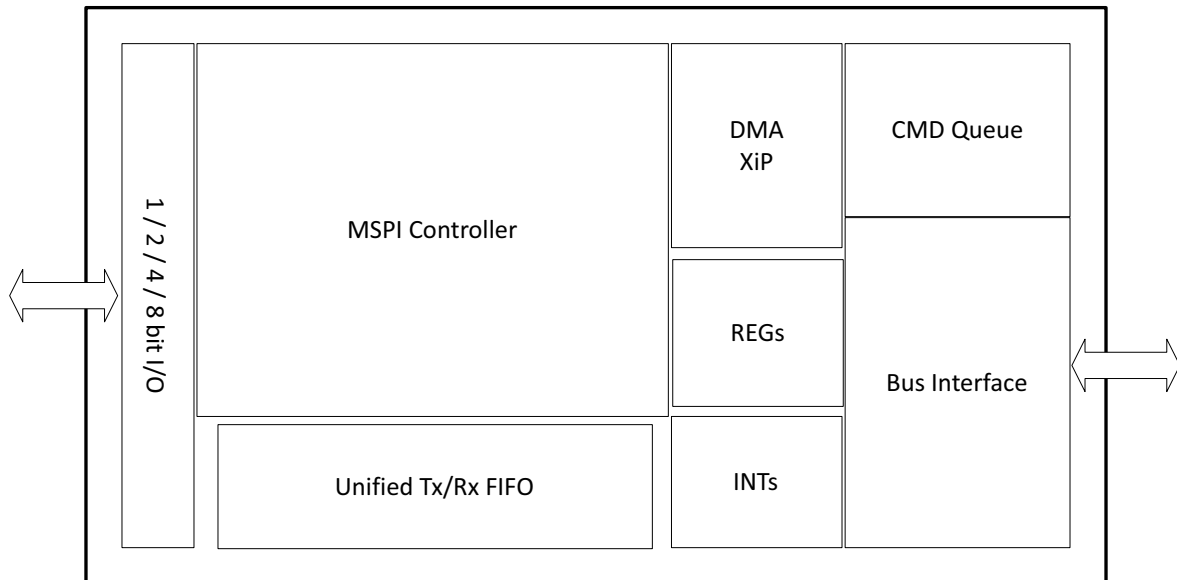
The switchable load resistor is enabled by the BATTLOAD bit as shown in the ADCBATTLOAD Register of the MCUCTRL Registers. This feature is used to help estimate the health of the battery chemistry by estimating the internal resistance of the battery.

### 13.5 Additional Information

Please consult the Apollo4 Family Programmer's Guide for additional information about ADC Module operations, where the following topics are covered:

- Clock Source and Dividers
- Channel Analog Mux
- Triggering and Trigger Sources
- Voltage Reference Sources
- Eight Automatically Managed Conversion Slots
- Automatic Sample Accumulation and Scaling
- Sixteen Entry Result FIFO
- Window Comparator
- Operating Modes and the Mode Controller
- Interrupts

## 14. Multi-bit Serial Peripheral Interface (MSPI)



**Figure 23. Block Diagram for the MSPI Master Module**

### 14.1 Features

- 1/2/4/8/16-bit SPI interface
- Support for DCX signal for displays
- XiP supported
- DMA with peripheral-to-memory and peripheral-to-peripheral support
- Command Queue (CQ) Support
- Up to 96 MHz clock in SDR mode and 48 MHz clock in DDR mode, unless otherwise stated
- All four SPI CPOL/CPHA modes

#### NOTE

CQ/DMA may be affected by erratum ERR080. Operation is not restricted providing that the stated workaround is followed.

### 14.2 Functional Overview

The Apollo4 Plus SoC includes three Multi-bit SPI (MSPI) modules which can be used to connect to external memory devices or displays. Each MSPI can transfer in serial, dual, quad, and octal data widths.

All MSPI instances support the following clock rates:

- Up to MHz clock in non-DQS or DQS SDR mode.
- Up to 48 MHz clock in non-DQS or DQS DDR mode.

## NOTE

For all MSPI instances, the maximum clock rate for non-DQS SDR octal data width mode is 48 MHz.

MSPI0 additionally supports hex (16-bit) mode for higher DDR throughput at a maximum clock rate of 48 MHz. The upper hex data lines of MSPI0 share pins with MSPI1. Therefore, when using MSPI0 in hex mode, MSPI1 cannot be used.

## NOTE

For MSPI2, the maximum clock rate for non-DQS DDR octal data width is 12 MHz.

## NOTE

When using DQS mode and GPIO93 as the MSPI2\_9 (DM/DQS) signal, MSPI2 is limited to a maximum clock of 48 MHz for SDR, 24 MHz for DDR.

### 14.3 MSPI Transfers

The MSPI module has a unified 16-entry FIFO (32 bits wide) that is used for both transmit and receive data. To ensure that transactions are not dropped because of system or software latency, the MSPI controller will pause the clock (and thus the transfer on the bus) if the TX FIFO empties or the RX FIFO fills during an operation. It will automatically resume once the FIFO condition has cleared.

Please refer to the MSPI registers of the Apollo4 Plus SoC register set. The register set for this SoC is delivered as part of the AmbiqSuite SDK. Also available and should be referenced and understood are the Apollo4 Family Programmer's Guide and the Errata List document specific to this Apollo4 family member.

MSPI<sub>n</sub> transfers generally consist of transmitting a 1 byte instruction, a 1-4 byte address (optional), and 1 byte to 64KB of write or read data (with an optional number of turnaround clock cycles between address and RX data, as well as an optional number of turnaround clock cycles between address and RX data). Most devices use the same number of pins to transmit instruction, address, and data (for example, all are quad or all are serial). However, some devices utilize mixed transfer modes to implement parallel data transfer on top of an inherently serial command structure. These devices are supported by the MSPI<sub>n</sub> by utilizing the XIPMIXED<sub>n</sub> configuration, which forces the MSPI<sub>n</sub> to switch into dual or quad modes of operation for a portion of the transfer.

To utilize mixed mode transfers, the MSPI's normal configuration should be set to match the device's transfer characteristics for commands (usually serial), which allows the MSPI<sub>n</sub> to communicate with the device in its native mode. The XIPMIXED<sub>0</sub> field in the DEV0XIP register should then be programmed to indicate whether the data phase (and optionally address phase) of the command should be performed in dual or quad mode. The MSPI<sub>n</sub> will automatically switch to the new mode after transmitting the command to the device for all DMA and XIP operations.

The three MSPI modules on the Apollo4 Plus SoC are directly attached to the system AXI bus and memory mapped (referred to as XIP for eExecute In Place) at address 0x14000000 (MSPI0), 0x18000000 (MSPI1) and 0x1C000000 (MSPI2).

Access to the MSPIn devices is as follows:

- MCU instruction accesses to XIP space are read-only and handled through the cache (which must be configured in a 64 KB cache mode).
- MCU data accesses to XIP space are read/write and handled through the DAXI module (Data-AXI interface on the MCU). The DAXI incorporates write buffering and some caching to improve performance to MSPIn and SSRAM targets.
- PIO: The MCU can initiate PIO-based operations to manage basic device configuration and other low-level manual operations.
- DMA: MSPIn module can autonomously transfer data between the external device and internal memory or NVM.

Note that XIP and DMA do not enforce hardware coherency, so the cache should be disabled or invalidated when performing DMA or XIP operations to regions that contain code that may be cached. In each of these modes, the MSPIn module also supports data scrambling on accesses within a programmable address range having boundaries aligned to 64K address boundaries.

Once the external devices are configured, the MSPIn supports a simple DMA model, where software can program the internal (SRAM or NVM) address and external device address, transfer direction, and transfer size. Once enabled, the MSPIn DMA interface will move data between the system and external flash and interrupt when complete. The MSPIn also supports a higher-level command queuing (CQ) protocol, where software can construct a buffer of operations in SRAM (or internal NVM memory) and the MSPIn will execute the series of operations autonomously. The MSPIn can also power itself down at the end of DMA or CQ operations.

While each MSPIn module can be used as a generic SPI device (with either of its two chip enables), in addition to supporting Serial, Dual, and Quad displays, it is primarily designed to support serial NAND/NOR flash memory or PSRAM memory. It is intended to be used to initialize the external memory devices and then be configured with the parameters matching the flash access characteristics. Devices can then be accessed through DMA or XIP operations with minimal software overhead.

The DMA address range has been expanded to support the larger flash and SRAM sizes, and the MSPIn DMA/transfer length has been expanded to 24 bits to allow burst transactions of more than 64 kB.

The MSPIn module also contains:

- A DEV0BOUNDARY register which can be programmed to break a single long MSPIn DMA into smaller transfers at periodic intervals (DMATIMELIMIT0 bit field).
- Address boundaries (DMABOUND0 bit field) to provide breaks in DMA for XIP traffic and satisfy the page crossing and maximum refresh times of external PSRAM devices.

#### NOTE

The DMATIMELIMIT0 is approximate since the MSPI will continue transmitting to the next 32-bit word boundary before disengaging on the bus. For this reason, a device requiring an 8  $\mu$ s maximum transmission time should be set to have about a 7.5  $\mu$ s time limit.

#### NOTE

For DMABOUND0 to properly break at a page crossing, the DMADEVADDR for the transfer must be 4-byte aligned. If a non-aligned starting edge of the transfer is required, software should manually break the transaction into two parts, with the first transaction ending on the page boundary. Failure to observe this limitation will result in data loss as the MSPIn may write 1-3 additional bytes past the boundary which will either wrap within the device's page or be discarded by the device.

## 14.4 Pad Configuration and Enables

For the Apollo4 Plus SoC, all three MSPI modules support serial, dual, quad or octal mode and support the following external connections. The columns to the right indicate which bits are used in each configuration (S=serial, D=dual, Q=quad, O=octal, H=hex with CE#). Within the table, O=output pin, I=input pin, and X=bidirectional.

**Table 9: MSPI0 Pin Muxing (Serial, Dual, Quad, Octal, Hex)**

| Pin Name | Direction    | GPIO  | Description                | S0 | S1 | D0 | D1 | Q0 | Q1 | O0 | O1 | H0 | H1 |
|----------|--------------|---|----------------------------|----|----|----|----|----|----|----|----|----|----|
| MSPI0.0  | Output       | 14, 46, 52, 56, 57, 60, 73, 75, 83, 84, 85, 86 91, 93 | MSPI0 CE0                  | O  |    | O  |    | O  |    | O  |    | O  |    |
| MSPI0.1  | Output       |   | MSPI0 CE1                  |    | O  |    | O  |    | O  |    | O  |    | O  |
| MSPI0_18 | Input/Output | 45  | MSPI0 DM1/DQS1 (Hex)       |    |    |    |    |    |    |    |    | X  | X  |
| MSPI0_17 | Input/Output | 44  | MSPI0 Data Bit 15          |    |    |    |    |    |    |    |    | X  | X  |
| MSPI0_16 | Input/Output | 43  | MSPI0 Data Bit 14          |    |    |    |    |    |    |    |    | X  | X  |
| MSPI0_15 | Input/Output | 42  | MSPI0 Data Bit 13          |    |    |    |    |    |    |    |    | X  | X  |
| MSPI0_14 | Input/Output | 41  | MSPI0 Data Bit 12          |    |    |    |    |    |    |    |    | X  | X  |
| MSPI0_13 | Input/Output | 40  | MSPI0 Data Bit 11          |    |    |    |    |    |    |    |    | X  | X  |
| MSPI0_12 | Input/Output | 39  | MSPI0 Data Bit 10          |    |    |    |    |    |    |    |    | X  | X  |
| MSPI0_11 | Input/Output | 38  | MSPI0 Data Bit 9           |    |    |    |    |    |    |    |    | X  | X  |
| MSPI0_10 | Input/Output | 37  | MSPI0 Data Bit 8           |    |    |    |    |    |    |    |    | X  | X  |
| MSPI0_9  | Input/Output | 73  | MSPI0 DM0/DQS0 (Octal/Hex) |    |    |    |    |    |    | X  | X  | X  | X  |
| MSPI0_8  | Output       | 72  | MSPI0 CLK                  | O  | O  | O  | O  | O  | O  | O  | O  | O  | O  |
| MSPI0_7  | Input/Output | 71  | MSPI0 Data Bit 7           |    |    |    |    |    |    | X  | X  | X  | X  |
| MSPI0_6  | Input/Output | 70  | MSPI0 Data Bit 6           |    |    |    |    |    |    | X  | X  | X  | X  |
| MSPI0_5  | Input/Output | 69  | MSPI0 Data Bit 5           |    |    |    |    |    |    | X  | X  | X  | X  |
| MSPI0_4  | Input/Output | 68  | MSPI0 Data Bit 4           |    |    |    |    |    |    | X  | X  | X  | X  |
| MSPI0_3  | Input/Output | 67  | MSPI0 Data Bit 3           |    |    |    |    | X  | X  | X  | X  | X  | X  |
| MSPI0_2  | Input/Output | 66  | MSPI0 Data Bit 2           |    |    |    |    | X  | X  | X  | X  | X  | X  |
| MSPI0_1  | Input/Output | 65  | MSPI0 Data Bit 1           | I  | I  | X  | X  | X  | X  | X  | X  | X  | X  |
| MSPI0_0  | Input/Output | 64  | MSPI0 Data Bit 0           | O  | O  | X  | X  | X  | X  | X  | X  | X  | X  |

**Table 10: MSPI1 Pin Muxing (Single, Dual, Quad, Octal)**

| Pin Name | Direction    | GPIO  | Description      | S0 | S1 | D0 | D1 | Q0 | Q1 | O0 | O1 |
|----------|--------------|---|------------------|----|----|----|----|----|----|----|----|
| MSP11.0  | Output       | 14, 46, 52, 56, 57, 60, 73, 75, 83, 84, 85, 86 91, 93 | MSPI1 CE0        | O  |    | O  |    | O  |    | O  |    |
| MSP11.1  | Output       |   | MSPI1 CE1        |    | O  |    | O  |    | O  |    | O  |
| MSP11_9  | Input/Output |   | MSPI1 DM/DQS     |    |    |    |    |    |    | X  | X  |
| MSP11_8  | Output       | 45  | MSPI1 CLK        | O  | O  | O  | O  | O  | O  | O  | O  |
| MSP11_7  | Input/Output | 44  | MSPI1 Data Bit 7 |    |    |    |    |    |    | X  | X  |
| MSP11_6  | Input/Output | 43  | MSPI1 Data Bit 6 |    |    |    |    |    |    | X  | X  |
| MSP11_5  | Input/Output | 42  | MSPI1 Data Bit 5 |    |    |    |    |    |    | X  | X  |
| MSP11_4  | Input/Output | 41  | MSPI1 Data Bit 4 |    |    |    |    |    |    | X  | X  |
| MSP11_3  | Input/Output | 40  | MSPI1 Data Bit 3 |    |    |    |    | X  | X  | X  | X  |
| MSP11_2  | Input/Output | 39  | MSPI1 Data Bit 2 |    |    |    |    | X  | X  | X  | X  |
| MSP11_1  | Input/Output | 38  | MSPI1 Data Bit 1 | I  | I  | X  | X  | X  | X  | X  | X  |
| MSP11_0  | Input/Output | 37  | MSPI1 Data Bit 0 | O  | O  | X  | X  | X  | X  | X  | X  |

**Table 11: MSPI2 Pin Muxing (Serial, Dual, Quad, Octal)**

| Pin Name | Direction    | GPIO  | Description      | S0 | S1 | D0 | D1 | Q0 | Q1 | O0 | O1 |
|----------|--------------|---|------------------|----|----|----|----|----|----|----|----|
| MSP12.0  | Output       | 14, 46, 52, 56, 57, 60, 73, 75, 83, 84, 85, 86 91, 93 | MSPI2 CE0        | O  |    | O  |    | O  |    | O  |    |
| MSP12.1  | Output       |   | MSPI2 CE1        |    | O  |    | O  |    | O  |    | O  |
| MSP12_9  | Input/Output | 83  | MSPI2 DM/DQS     |    |    |    |    |    |    | X  | X  |
| MSP12_8  | Output       | 82  | MSPI2 CLK        | O  | O  | O  | O  | O  | O  | O  | O  |
| MSP12_7  | Input/Output | 81  | MSPI2 Data Bit 7 |    |    |    |    |    |    | X  | X  |
| MSP12_6  | Input/Output | 80  | MSPI2 Data Bit 6 |    |    |    |    |    |    | X  | X  |
| MSP12_5  | Input/Output | 79  | MSPI2 Data Bit 5 |    |    |    |    |    |    | X  | X  |
| MSP12_4  | Input/Output | 78  | MSPI2 Data Bit 4 |    |    |    |    |    |    | X  | X  |
| MSP12_3  | Input/Output | 77  | MSPI2 Data Bit 3 |    |    |    |    | X  | X  | X  | X  |
| MSP12_2  | Input/Output | 76  | MSPI2 Data Bit 2 |    |    |    |    | X  | X  | X  | X  |
| MSP12_1  | Input/Output | 75  | MSPI2 Data Bit 1 | I  | I  | X  | X  | X  | X  | X  | X  |
| MSP12_0  | Input/Output | 74  | MSPI2 Data Bit 0 | O  | O  | X  | X  | X  | X  | X  | X  |

The PADOUTEN register should be programmed to enable the proper pins for the selected mode.

**NOTE**

Due to timing issues, MSPIn\_4 cannot be used as the clock line for any MSPI instance.

## NOTE

For all MSPI instances, all MSPI interface pins other than the chip enable pin should be configured to have a drive strength setting of 1P0X.

Typically, most serial SPI devices use a separate MOSI and MISO when operating in serial mode. The SEPIO0 bit in the DEV0CFG register should be set when software needs to read data from devices in serial mode, since it redirects the MISO input from pin 1 down to input data pin 0 of the MSPI's RX logic.

## NOTE

Pads 37 through 45 have two functions for FNCSEL0 which are associated with data lines for MSPI0 or MSPI1. The setting of the DEVCFG0 field of the MSPI module's DEV0CFG register specifies which of the two MSPI lines uses these pads.

Note that when configuring these pads for the upper 9 data lines for **hex mode on MSPI0**, with pads 64 through 73 configured for the lower 10 data lines for 16-bit data connection to a PSRAM device, the PSRAM control register is still in octal mode. Therefore, the connection needs to be an octal interface for the initial configuration. After configuring the PSRAM for hex interface, then MSPI0 can be re-configured for hex interface with the following settings:

1. Set FNCSEL of GPIO64 to GPIO73 and GPIO37 to GPIO45 to 0.
2. Set MSPI0's DEV0CFG\_DEVCFG0 field for hex interface.
3. Set MSPI0's PADOUTEN\_OUTEN field for hex interface.

## NOTE

For the Apollo4 Plus SoC, the pins available for chip enables for the MSPI instances are limited to: GPIO14, 46, 52, 56, 57, 60, 73, 75, 83, 84, 85, 86, 91 and 93.

Table 12 below shows the required field configurations for typical MSPI operating modes.

**Table 12: Required Settings for Typical Configurations**

| Mode (Data Lines and CE) |         |        |             |                  | DEV0CFG_DEVCFG0 | DEV0CFG_SEPIO0 | DEV0XIP_XIPMIXED0 | PADOUTEN_OUTEN |
|--------------------------|---------|--------|-------------|------------------|-----------------|----------------|-------------------|----------------|
| Instruction              | Address | Data   | Separate IO | Chip Enable (CE) |                 |                |                   |                |
| Serial                   | Serial  | Serial | Yes         | 0                | SERIAL0 (1)     | 1              | NORMAL (0)        | 0x103          |
| Serial                   | Serial  | Serial | Yes         | 1                | SERIAL1 (2)     | 1              | NORMAL (0)        | 0x103          |
| Serial                   | Serial  | Serial | No          | 0                | SERIAL0 (1)     | 0              | NORMAL (0)        | 0x101          |
| Serial                   | Serial  | Serial | No          | 1                | SERIAL1 (2)     | 0              | NORMAL (0)        | 0x101          |
| Serial                   | Serial  | Dual   | No          | 0                | SERIAL0 (1)     | 0              | D2 (1)            | 0x103          |
| Serial                   | Serial  | Dual   | No          | 1                | SERIAL1 (2)     | 0              | D2 (1)            | 0x103          |
| Serial                   | Dual    | Dual   | No          | 0                | SERIAL0 (1)     | 0              | AD2 (3)           | 0x103          |
| Serial                   | Dual    | Dual   | No          | 1                | SERIAL1 (2)     | 0              | AD2 (3)           | 0x103          |
| Serial                   | Serial  | Quad   | No          | 0                | SERIAL0 (1)     | 0              | D4 (5)            | 0x10F          |
| Serial                   | Serial  | Quad   | No          | 1                | SERIAL1 (2)     | 0              | D4 (5)            | 0x10F          |
| Serial                   | Quad    | Quad   | No          | 0                | SERIAL0 (1)     | 0              | AD4 (7)           | 0x10F          |
| Serial                   | Quad    | Quad   | No          | 1                | SERIAL1 (2)     | 0              | AD4 (7)           | 0x10F          |
| Dual                     | Dual    | Dual   | No          | 0                | DUAL0 (5)       | 0              | NORMAL (0)        | 0x103          |
| Dual                     | Dual    | Dual   | No          | 1                | DUAL1 (6)       | 0              | NORMAL (0)        | 0x103          |
| Quad                     | Quad    | Quad   | No          | 0                | QUAD0 (9)       | 0              | NORMAL (0)        | 0x10F          |
| Quad                     | Quad    | Quad   | No          | 1                | QUAD1 (0xA)     | 0              | NORMAL (0)        | 0x1F0          |
| Octal                    | Octal   | Octal  | No          | 0                | OCTAL0 (0xD)    | 0              | NORMAL (0)        | 0x3FF          |
| Octal                    | Octal   | Octal  | No          | 1                | OCTAL1 (0xE)    | 0              | NORMAL (0)        | 0x3FF          |
| Hex                      | Hex     | Hex    | No          | 0                | HEX0 (0x11)     | 0              | NORMAL (0)        | 0x7FFFF        |
| Hex                      | Hex     | Hex    | No          | 1                | HEX1 (0x12)     | 0              | NORMAL (0)        | 0x7FFFF        |

### 14.5 Additional Information

Please consult the Apollo4 Family Programmer’s Guide for additional information about MSPI Module operations.



## 15. I<sup>2</sup>C/SPI Master (IOM)

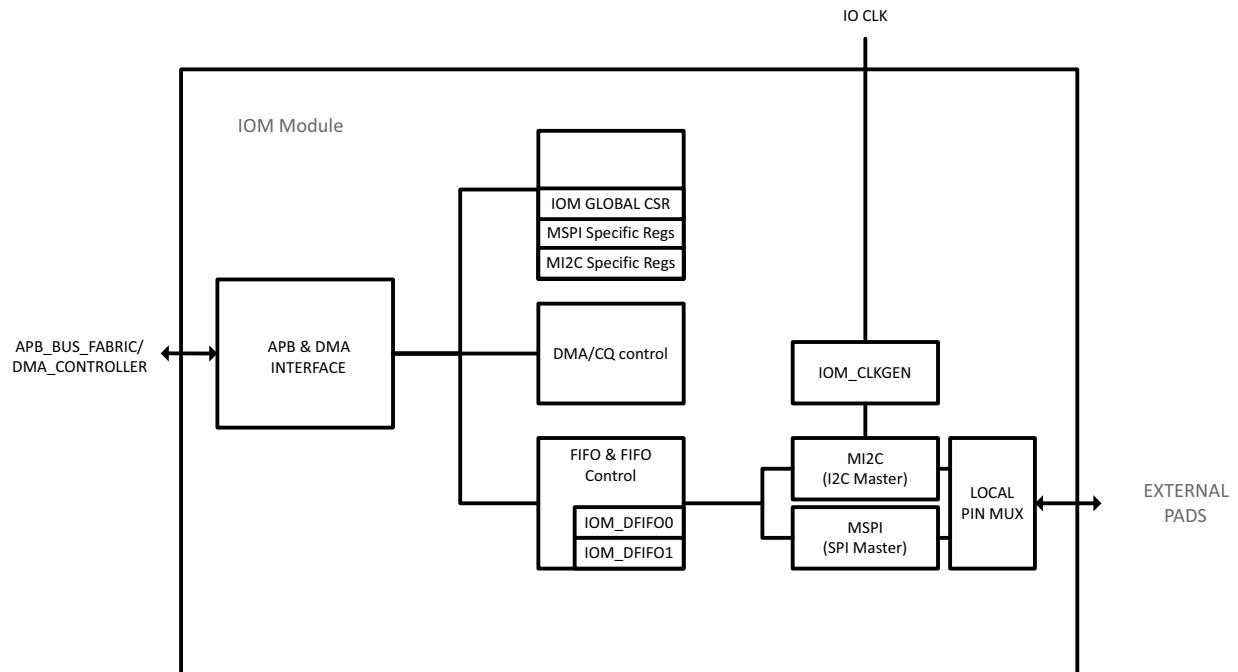


Figure 24. Block Diagram for the I<sup>2</sup>C/SPI Master Module

### 15.1 Features

No resources are shared between IOM modules, but within a single IOM module, the submodules share a common set of FIFO and command resources.

#### 15.1.1 Features common to all submodules

- Two independent 32-byte FIFOs, one dedicated to each direction of data transfer
- Direct access of all FIFO data from MCU interface, including non-destructive reads.
- FIFO mode read/write access (push/pop mechanism)
- Direct command, direct data mode. (Command and data written to/read from the module registers directly)
- Direct command, DMA data mode. Commands are written directly to the module, but data is written to/read from the main SRAM array.
- Command queuing operations. Register write operations are read from main SRAM memory and fed to the register unit in series.
- Programmable interrupts
- Programmable threshold interrupt level
- Configurable clock selection
- Read data synchronized internally for MCU access
- Ability to send multi-byte offset addresses, with single command
- Ability to view FIFO data without causing pop operation
- Capability to store data for multiple commands in either FIFO
- Programmable number of byte offsets of 0-3

### 15.1.2 I<sup>2</sup>C Master features

- Support for standard mode (100 kHz), Fast mode (400 kHz), and Fast mode+ (1 MHz)
- Support for 7-bit and 10-bit addressing modes
- Transfer burst sizes of 0 to 512 bytes.
- Configurable LSB or MSB data transfer.
- Clock stretching support.

#### NOTE

I<sup>2</sup>C clock stretching operation is not guaranteed on this SoC. If an I<sup>2</sup>C peripheral device that performs clock stretching is used, the recommendation is to perform compatibility testing with the Apollo4 I<sup>2</sup>C interface.

### 15.1.3 SPI Master features

- Support for transaction sizes up to 4095 bytes
- Programmable number of byte offsets of 0-3
- Programmable operation in all polarity modes
- 3-wire and 4-wire read and write support
- Flow control for reads or writes, based on MISO (write flow control), or external, selectable PIO.
- Full duplex operation

## 15.2 Functional Overview

The Apollo4 Plus SoC includes eight I<sup>2</sup>C/SPI high-speed Master Modules (IOM), shown in Figure 24, each of which functions as the master of an I<sup>2</sup>C or SPI interface as selected by the IOMn\_SUBMODCTRL\_SMODnEN bits. A 64-byte bidirectional FIFO and a sophisticated Command mechanism allow simple initiation of I/O operations without requiring software interaction.

In I<sup>2</sup>C mode the I<sup>2</sup>C/SPI Master supports 7- and 10-bit addressing, multi-master arbitration, interface frequencies from 1.2 kHz to 1.0 MHz and up to 512-byte burst operations. In SPI mode the I<sup>2</sup>C/SPI Master supports up to four slaves with automatic nCE selection, 3- and 4-wire implementation, all SPI polarity/phase combinations and up to 4095-byte burst operations, with both standard embedded address operations and raw read/write transfers. Interface timing limits are as specified in the Serial Peripheral Interface (SPI) Master Interface table of the Electrical Characteristics chapter.

The active interface is selected by enabling the module enable bit (SMODnEN) for the interface in the IOMn\_SUBMODCTL register. Only one interface can be active at a time.

Each module contains a separate pair of 32-byte FIFOs, each of which is dedicated to data flow in a single direction (input or output). The modules support data transfer to or from the module through either direct or DMA paths. SRAM can be used as the source or the sink of data, and storage data can be used as source data for IOM transaction. Command Queue operations are also supported to allow commands to be placed in memory and fetched and executed in series. The Command Queue interface also includes inter-module flags which allows event communication between other IOM modules, MSPI modules and external pins through the GPIO interface.

**NOTE**

Please note that, due to erratum ERR101, an invalid write of 0b'00 to the IOM Module's CMD\_CMD field causes the command queue (CQ) to pause indefinitely.

Also supported in the design are test modes for use in setup and power measurements, and debug facilities to aid in software/hardware debug.

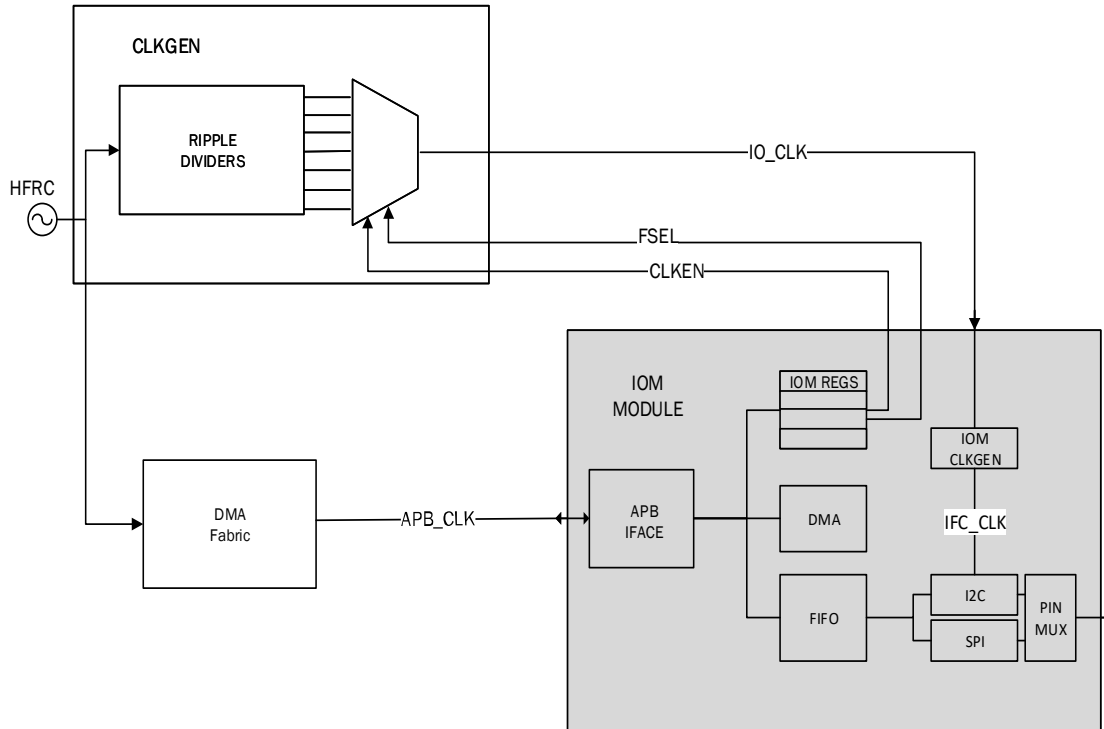
Please refer to the IO Master registers of the Apollo4 Plus SoC register set. The register set for this SoC is delivered as part of the AmbiqSuite SDK. Also available and should be referenced and understood are the Apollo4 Family Programmer's Guide and the Errata List document specific to this Apollo4 family member.

### 15.3 Power Control

The 8 IOM modules must be enabled in the PWRCTRL\_DEVPWREN register prior to access and operation. The power status of the IOM modules can be read in the PWRCTRL\_DEVPWRSTATUS register. Note that the IOM modules are separated into 2 power domains, referred to as HCPB and HCPC. IOM modules 0, 1, 2 and 3 are contained in HCPB, while IOM modules 4, 5, 6 and 7 are contained in HCPC power domain. When one IOM is powered on, all other IOMs in the same group are powered on as well.

### 15.4 Clocking and Resets

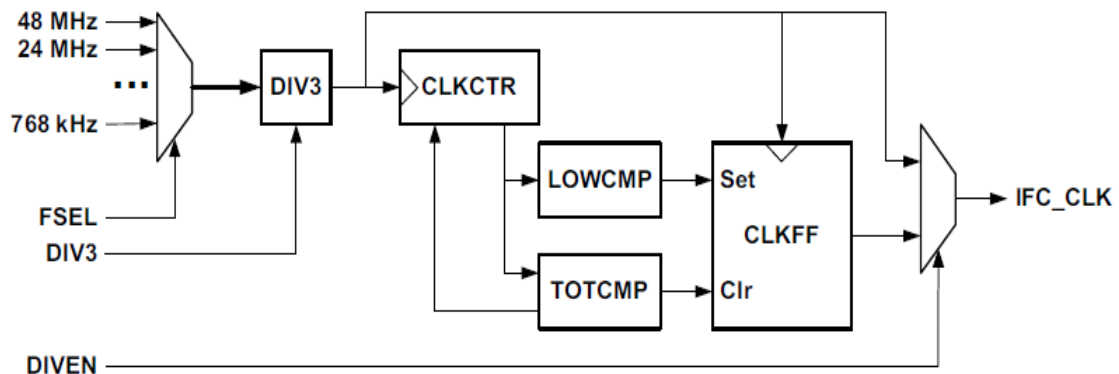
The IOM design uses 2 main clocks, APB\_CLK and IO\_CLK. The APB\_CLK is used for all register and DMA accesses. It runs at 96 MHz and is interfaced via the APB fabric synchronous interface. The IO\_CLK is used as the source of the interface clock and has selectable frequencies. The overview of the clocking structure is shown below:



**Figure 25. Clocking Structure for IOM Module**

The APB\_CLK is an internal clock sourced from the bus fabric and operates at a fixed 96 MHz frequency. It is used for internal communication and is heavily clock gated to reduce dynamic power.

The IO\_CLK is generated within the central clocking module and enabled through the IOMn\_CLKCFG\_IOCLKEN field. This clock must be enabled by software prior to module operation. The primary frequency of the IO\_CLK is selected via the IOMn\_CLKCFG\_FSEL field, and further divided by either or both of the internal divide by 3 divider (enabled via the IOMn\_CLKCFG\_DIV3 field), or a programmable divider (enabled by IOMn\_CLKCFG\_DIVEN and division set by IOMn\_CLKCFG\_TOTPER and IOMn\_CLKCFG\_LOWPER fields) as shown below.



**Figure 26. IO\_CLK Generation**

The divided by 3 divider is optional and will provide a 50% duty cycle divided by 3 clock. This divider is

bypassed when the DIV3 field is set to 0.

The output of the DIV3 module is then fed to the programmable divider. This divider can be bypassed or enabled via the DIVEN field in the CLKCFG. It will divide at a rate of TOTPER+1 (subtract 1 from actual value when writing TOTPER field), and will toggle at LOWPER+1 clock count of the base IO\_CLK from the DIV3 module. This will generate the final IO\_CLK used by the interface module.

The IO\_CLK is used for the reference clock for the internal module state machine, and for the external output clock. The use in both areas is heavily gated and can also be overridden by setting register IOMn\_IOMDBG\_IOCLKON field to 1.

## 15.5 I<sup>2</sup>C Clock Generation

The I<sup>2</sup>C output clock (SCL) is derived from dividing the final IO\_CLK by 2. For example, for 1 MHz I<sup>2</sup>C operation, an IO\_CLK frequency of 2 MHz is required. Because the state machine will operate at 2x the target frequency of the interface frequency, the nominal output clk (SCL) duty cycle will be 50%, regardless of the duty cycle of the IO\_CLK. However, the timing specification of some I<sup>2</sup>C modes require an asymmetrical duty cycle on the SCL output, with the high period of the clock less than the low period of the clock. The clocking module allows a programmable delay prior to propagating the rising edge of the SCL output. This delay is in units of the source IO\_CLK period (prior to any enabled division). This delay is specified in the IOMn\_MI2CCFG\_SCLENDLY register field. The recommended settings for this register for each mode are detailed below.

If clock stretching is done by the slave devices attached to the IOM interface, further restrictions must be observed during the setup of the clock controls. This is due to the possible clock stretch event done within a single cycle on the I<sup>2</sup>C SCL. In this case, the minimum SCL high time must be maintained, regardless of the time the slave releases the SCL. To detect the event within the single I<sup>2</sup>C cycle, the SCL signal needs to be sub-sampled. The source IO\_CLK is used for this purpose also and allows for sampling of the SCL signal by a programmable number of source IO\_CLK cycles. The sample granularity is determined by the ratio of the source IO\_CLK to final IO\_CLK frequency and must allow for synchronization time between the two domains. The recommended settings for each common clock mode as well as some other low clock rates are shown below. Contact Ambiq for use of other frequencies.

| Mode                | FSEL | DIV3 | DIVEN | TOT PER | LOW PER | SMP CNT | SDAEN DLY | SCL EN DLY | Effective Frequency |
|---------------------|------|------|-------|---------|---------|---------|-----------|------------|---------------------|
| Standard (100 kHz)  | 2    | 0    | 1     | 243     | 159     | 12      | 15        | 0          | 98 kHz              |
|                     | 3    | 0    | 1     | 121     | 79      | 6       | 15        | 0          | 98 kHz              |
|                     | 4    | 0    | 1     | 60      | 39      | 3       | 15        | 0          | 98 kHz              |
|                     | 5    | 0    | 1     | 30      | 19      | 1       | 15        | 0          | 97 kHz              |
|                     | 6    | 0    | 1     | 16      | 9       | 1       | 6         | 0          | 88 kHz (Low power)  |
| Fast Mode (400 kHz) | 2    | 0    | 1     | 62      | 39      | 7       | 15        | 4          | 381 kHz             |
|                     | 3    | 0    | 1     | 31      | 19      | 15      | 15        | 2          | 375 kHz             |
|                     | 4    | 0    | 1     | 15      | 9       | 2       | 7         | 1          | 375 kHz             |
|                     | 5    | 0    | 1     | 7       | 3       | 1       | 3         | 0          | 375 kHz             |
|                     | 6    | 0    | 1     | 5       | 3       | 1       | 3         | 0          | 250 kHz (Low power) |
| Fast+ Mode (1 MHz)  | 2    | 0    | 1     | 24      | 12      | 1       | 7         | 0          | 960 kHz             |
|                     | 3    | 0    | 1     | 12      | 6       | 1       | 6         | 0          | 923 kHz             |
|                     | 4    | 0    | 1     | 6       | 3       | 1       | 3         | 0          | 857 kHz             |

**Table 13: Settings for I<sup>2</sup>C Clock Speeds**

### 15.5.1 SPI Clock Generation

The final IO\_CLK is used directly as the SPI clock output. No additional settings are needed.

## 15.6 FIFO

The IOM module contains 2 uni-directional FIFOs, each 32 bytes wide. These FIFOs are used only for data storage during IO transactions. The FIFO supports both single (half duplex) and duplex modes of operation.

During direct mode data transfer operations, IO data transfer between the IOM module and the MCU is done by accessing the IOMn\_FIFOPOP and IOMn\_FIFOPUSH registers. These registers allow read (FIFOPOP) and write (FIFOPUSH) of data into and out of the FIFO, and automatic adjustment of pointers used by the submodules. Only word accesses are permitted to these registers and any unused byte locations will be ignored or filled with zero. If DMA is enabled during the IO command operation, data will automatically be read or written into the FIFO from the DMA address and the pointers updated. The FIFO pointers and data are NOT reset after each command, and care must be taken to not leave any extra data in the FIFO, as this will be used for subsequent transfers. If needed, there is a manual reset of the FIFO pointers that can be done using the IOMn\_FIFOCTRL\_FIFORSTN field. Additional information on data alignment is covered in the later sections of this document.

The submodules will prevent overruns or underruns from the FIFO by pausing the active transaction, usually by stopping the output clock. Once data is available (write operations) or there is room in the FIFO (read operations), the transaction will continue.

For debug operations, the IOM module also allows direct access to the FIFO contents through the IOMn\_FIFO aperture. Access via this path does not affect the pointers used by the submodules and cannot be used to send or receive data as part of the IO operation. The FIFO aperture allows read and write operations into the write FIFO and read access into the read FIFO. The current FIFO pointers are readable via the FIFOLOC register. For the write FIFO, this will point to the next location to be written, while the read FIFO pointer will indicate the next location to be read.

#### NOTE

When DMA operations are in progress, the FIFOPUSH and FIFOPOP registers should not be accessed, as this will interfere with the DMA data.

## 15.7 Data Alignment

All data accesses between the MCU and the IOM interface are word aligned. Since the transfer size is specified in bytes, unused bytes within the word will either be discarded (for write operations) or filled with zero (read operations) to align to the next word boundary. DMA operations support a byte starting address, and the programmed DMA address does not have to be word aligned. Direct mode write operations will start transferring the least significant byte of the word (little endian style) at the current write FIFO pointer. If any remaining bytes are unused in a word at the end of the write operation, they will be discarded, and the write pointer will be set to the next word location. Direct mode read operations will store the first received byte into the least significant byte of location specified by the read FIFO pointer, and will fill any unused byte locations with zero if the transaction size is not a word multiple. The FIFO read pointer will point to the next FIFO location in the read FIFO, which will be word aligned.

### 15.7.1 Direct Mode Data Transfers

Direct mode data is enabled when DMA is disabled via the IOMn\_DMACFG\_DMAEN and the data transfer size (TSIZE) is greater than 0. In this mode, the MCU transfers data via direct writes or reads to registers in the IOM. The IOM maintains separate FIFO pointers for the read and write FIFOs, and updates these when a PUSH or POP register is accessed. Writing to the IOMn\_FIFOPUSH register will perform a push

event of the word into the FIFO and update the write pointer by 4 bytes. Only word accesses are supported to the IOM, and any unused bytes within a word will be discarded. An example of a 5 byte write transfer is shown below.

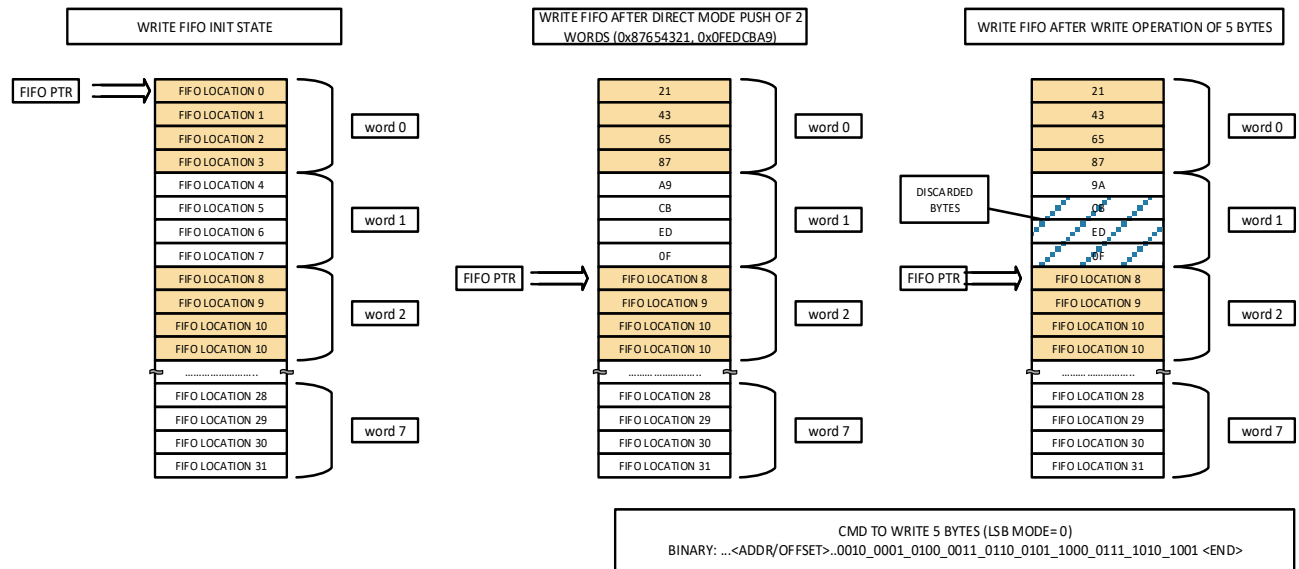


Figure 27. Direct Mode 5-byte Write Transfer

Reading from the IOMn\_FIFOPOP register will perform a POP operation, return 4 bytes of data and advance the internal read FIFO pointer by 4 bytes. Any unused bytes within the read data will be filled with 0's and aligned to a word boundary at the end of the transaction. An example of a 5 byte read operation is shown below.

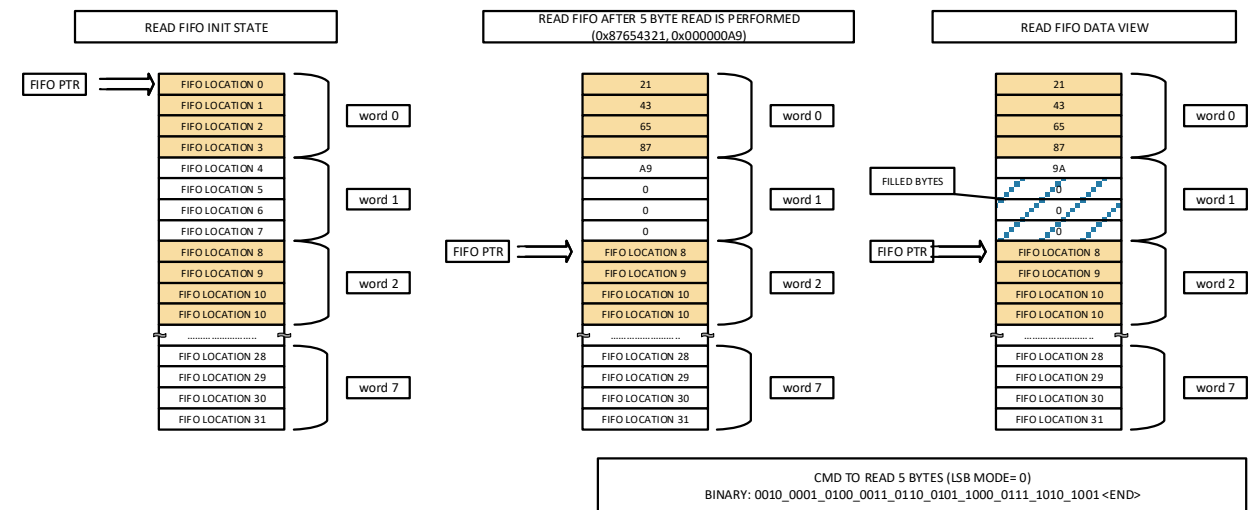


Figure 28. Direct Mode 5-byte Read

The IOM also supports a non-destructive POP mechanism to prevent unintended POP events from occurring. If the IOMn\_FIFOCTRL\_POPWR field is active (1), a write to the IOMn\_FIFOPOP register will be required in order to complete the POP event. Reads will return the current data. An active transaction will be paced by data availability and will hold the clock low if there is not enough

data to continue write operations, or if the read FIFO is full during read operations. This wait condition is indicated when the IOMn\_CMDSTAT\_CMDSTAT field is 0x6. Once new data or FIFO locations are present, the command will continue operation automatically.

### 15.7.2 DMA Data transfers

DMA transfers are enabled by configuring the DMA related registers, enabling the DMA channel, and then issuing the command. The command will automatically fetch and store the data associated with the command without MCU intervention. The DMA channel is enabled via the IOMn\_DMCFG\_DMAEN field. P2M DMA operations transfer data from peripheral to memory and are used in IOM READ operations. M2P DMA operations transfer data from memory to peripheral and are used in IOM write operations. DMA transfer size is programmed into the IOMn\_DMATOTCOUNT register and supports up to 4095 bytes of data transfer. The DMA transfer size is independent from the transaction size, and allows a single DMA setting to be used across multiple commands. The direction of DMA data transfer must match the command. The IOMn\_DMCFG\_DMAEN field enables/disables the DMA transfer capability and must be set last when configuring the DMA, generally prior to sending the command.

The DMA engine within the module will initiate a transfer of data when a trigger event occurs. There are 2 types of triggers available, threshold (THR) and command completion (CMDCMP). The THR trigger will activate when the threshold programmed into the FIFOWTHR or FIFORTH in the IOMn\_FIFOTH register meets the data criteria. Because the MCU access to the interface is 32 bits wide, only the word count of the selected THR is used, and the low order bits of the FIFOWTHR or FIFORTH are ignored.

During the transfer, the TOTCOUNT register is decremented to reflect the number of bytes transferred.

For IOM write operations (data written from IOM out to an external device), the THR trigger will activate when the write FIFO contains FIFOWTHR[5:2] free words. If the remaining DMA transfer size is less than this, only the needed number of words are transferred.

For IOM read operations (data read from external device), the THR trigger will activate when the read FIFO contains FIFORTH[5:2] words of valid data. If the remaining DMA transfer size is less than the RTHR words, then the CMDCMP trigger can be enabled to transfer the remaining data. If the CMDCMP trigger is disabled, and the number of bytes in the read FIFO is greater to or equal to the current TOTCOUNT, a DMA transfer of TOTCOUNT will be done to complete the DMA operation. This mode requires that the THR trigger be enabled as well.

The CMDCMP trigger activates when the command is complete and will transfer the lesser of the TOTCOUNT or the number of bytes in the read FIFO. Note that this trigger is not needed for write operations, and the THR trigger should be used in this case. If a read operation is done, and the THR trigger is disabled, and only the CMDCMP trigger is enabled, and the transaction size is greater than the FIFO size (32 bytes), the module will hang, as there is no trigger to cause a DMA operation, and the logic will pause the interface until there is room within the read FIFO to store data.

If DMA transfer size is matched to the IOM transaction size, it is recommended to program both the FIFORTH and FIFOWTHR to 0x10 (16 bytes) and only enable the THR trigger.

## 15.8 Transaction Initiation

To start a transaction, the IOM module must be powered up and the target external pins enabled via the GPIO module. For SPI transactions, this will generally require 4 pins to be enabled via the function select field of the PADREG registers in the GPIO module. The CEN pin for SPI transaction requires setting of the FNCSEL field of the appropriate pin, as well as the CFGREG of the corresponding pin. This also includes the setting of the default value of the CEN. This is needed to allow the IOM module to power down and not activate the CEN signal.

Once the IOM module is powered on, and the external pins configured, the IOM submodule must be enabled via the IOMn\_SUBMODCTRL register. This will activate either the SPI or I<sup>2</sup>C interface. Once this



is complete, the submodule specific registers should be configured to set the desired mode and features. If DMA is desired, the DMA registers should also be set, with the IOMn\_DMACTRL\_DMAEN field set last. The registers relating to DMA operations are as follows:

- IOMn\_DMATRIGEN – Sets the trigger source for starting a DMA transfer
- IOMn\_DMACFG – Sets the DMA direction and enable for DMA
- IOMn\_DMATOTCOUNT – Sets the total count of bytes to be transferred via the DMA operation. Recommended to match the IOMn\_CMD\_TSIZE field for simplicity.
- IOMn\_DMATARGADDR – The source or destination address of the DMA data. Sources can be either SRAM or storage. Destination address can only be SRAM. This is the memory mapped address of the DMA data as accessed by the MCU.

After the module setup is complete, the command register is written. This will start the IO transfer. The IOMn\_CMD register contains the command itself, along with other fields used in the command, such as channel number, offset counts and transfer size. The IOM supports 2 main commands, read and write. A read command will write user selectable number of offset bytes (0 to 3), and then read IOMn\_CMD\_TSIZE bytes, storing the data into the read FIFO. A write command will write the user selectable number of offset bytes (0 to 3), followed by a write of IOMn\_CMD\_TSIZE bytes sourced from the write FIFO. Transfer sizes can be 0-4095 bytes for SPI operations and 0-512 bytes for I<sup>2</sup>C operations. The number of offset bytes for each command is specified in the IOMn\_CMD\_OFFSETCNT field.

### 15.9 Command Queue

The IOM module can also fetch register write data from SRAM or storage, and update the registers as if the write was performed via the MCU. Register data is stored as a doublet of 2 words. The first word is the module register address offset, word aligned. The second word is the write data value. Once enabled, the command queue (CQ) will fetch the address and perform a write to the register. If no command is started by the register write, the next doublet will be fetched by the CQ. If a command is started (write to IOMn\_CMD register is done), the CQ processing will wait until the transaction is complete before fetching the next register write doublet. This is shown in the diagram below. No prefetching is done via the CQ, and the register write operations are performed in series with the transactions. This allows a predictable path for execution of commands. DMA enabled commands should be used during CQ operation, as there is no support to perform a direct mode read operation via the CQ.

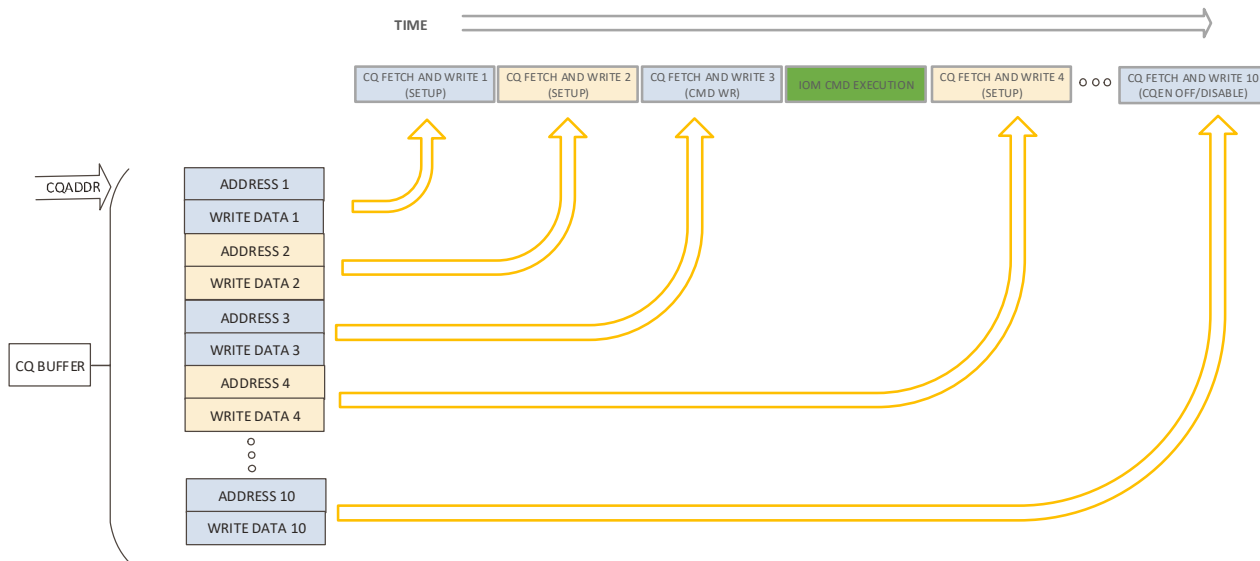


Figure 29. Register Write Data Fetches

The CQ starting fetch address is specified in the IOMn\_CQADDR register. The CQ operation will start to fetch when the IOMn\_CQCFG\_CQEN field is set. This field should only be set when the IOM is idle and the FIFOs are empty. Once enabled, the CQ will continue to fetch sequentially until it encounters a pause event. A pause event can be caused by a CQ register write operation, or from external signals. This is shown in the sequence below.

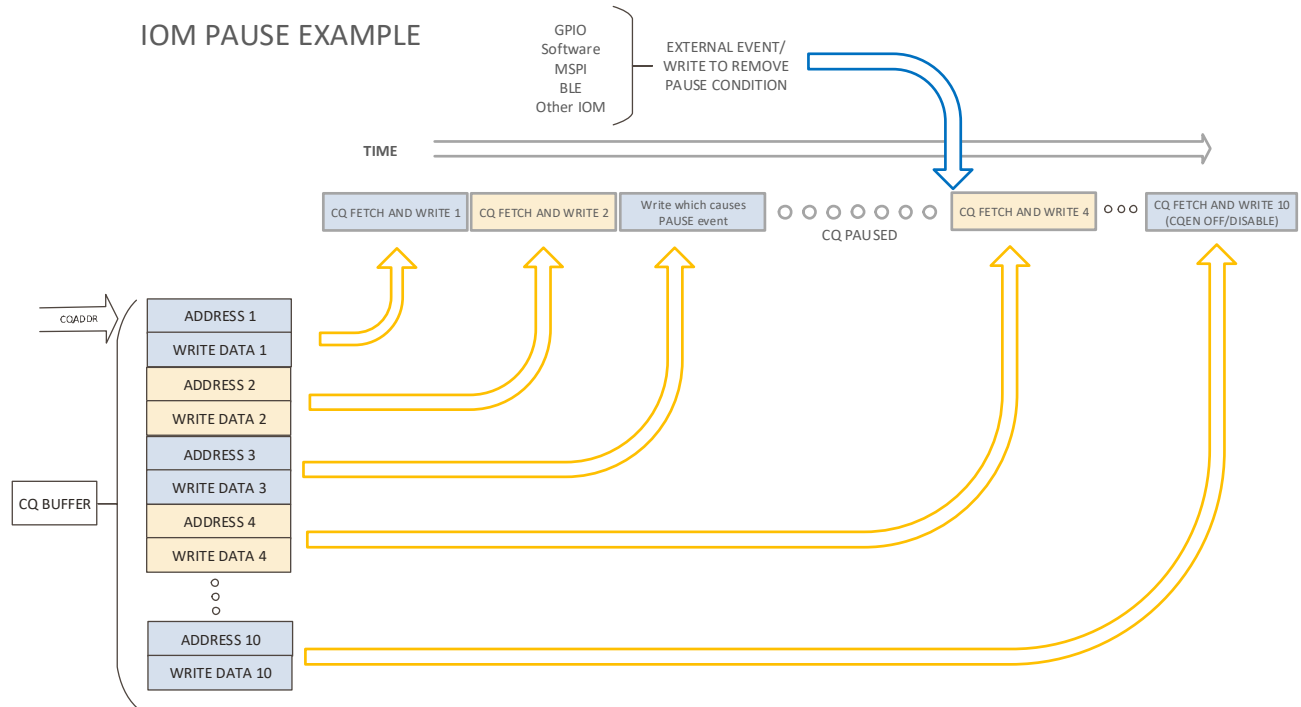
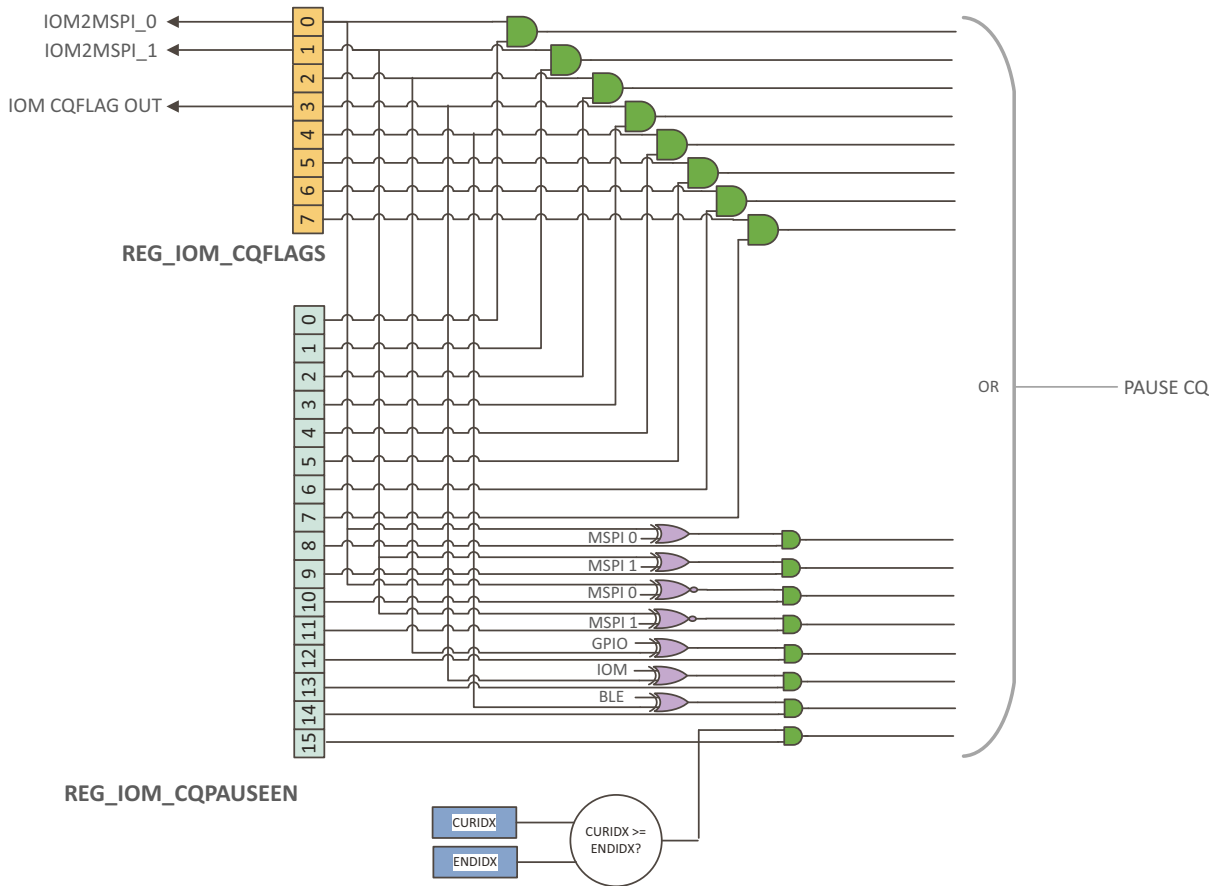


Figure 30. IOM Pause Example

Each pause source is independently enabled via the IOMn\_PAUSEEN register. In addition to independent enable of the pause bits, there is also independent control of which pause event will signal a CQPAUSE interrupt. This is controlled through the IOMn\_CQFLAGS\_CQIRQMASK field.

There are 16 possible pause sources. When the value of the pause source is set, and the pause is enabled in the IOMn\_PAUSEEN register, the CQ will stop fetching. The IOMn\_CQADDR is updated after each fetch, and when paused, will point to the next doublet to be fetched when the pause condition is removed. The connection of the pause bits are shown below. The SW Flags are accessed via the IOMn\_CQSETCLEAR register.



**Figure 31. CQ Pause Bit Fetching**

The first 8 pause sources (bits 7:0) are register bits which are directly writable via the MCU or through the CQ. These first 8 locations are called SW Flags. Because the CQ does not support a read-modify-write operation, special facilities are available to set, reset or toggle the SW Flags. This is accessed through the IOMn\_CQSETCLEAR register. The 3 fields in this register allow a per bit set, reset or toggle of the SW Flag bits.

The next 7 pause sources (bits 14:8) use the SW Flags along with an external signal to set the pause event. The external signals are from the GPIO module, the MSPI module, or other IOM modules. On some cases, such as the MSPI interface, 4 of the SW Flags are used and combined with 2 similar signals from the MSPI module to facilitate a ping pong method of sharing 2 buffers and preventing overruns without MCU intervention.

The last pause source (bit 15) is used for index pausing. If this pause bit is enabled, the CQ will pause when the value of the IOMn\_CURIDX matches the IOMn\_ENDIDX. This is useful for software to be able to update the CQ buffer without causing a race condition between the CQ data buffer writes and the CQ fetches.

**NOTE**

As erratum ERR102 describes, the CQ is configured to pause on a GPIOXOREN event (CQPAUSEEN\_CQPEN = GPIOXOREN), where the input GPIO irq\_bit XORed with SWFLAG2 is '1' and the SWFLAG2 path of the pause event is triggered. A software-triggered CQ pause does not stop immediately upon write to the CQSETCLEAR register - one additional operation occurs after the register write. After hitting a pause event, the CQPAUSE bit is asserted and then deasserted for 1 clock cycle which allows another CQ buffer entry to be executed.

This issue affects user applications by allowing execution of an additional CQ buffer operation after a write to the CQSETCLEAR register which may have an adverse affect on IOM CQ and application operation. The workaround for this issue is to install an extraneous command in the CQ after a command that writes to the CQSETCLEAR field so that there are no adverse effects if the pause occurs after its execution. The recommendation is to not use MSPI-to-IOM hardware buffering or GPIO triggering of the IOM command queue.

**15.9.1 CQ Programming Notes**

- Additional restrictions when using the CQ function is that the DMA must be disabled prior to writing the IOMn\_CQADDR register, either from the MCU or from the CQ itself.
- For multiple commands using DMA, the DMAEN must be reset after the command is done and before the DMA registers are set for the next transaction.
- It is possible for the CQ to write the IOMn\_CQADDR register during the CQ operation. The new address will take effect on the next fetch and allows the CQ to be relocated or looped.
- When starting the CQ operation, 1 doublet will be fetched regardless of the state of the pause status and bits. If any pause is active, it will take effect after the first fetch. For this reason, it is generally advisable to have a dummy register write as the first CQ doublet.

CQ write operations to SW flags used in combination with pause events 15:8 must first disable the pause enable, perform the SW flag write, then re-enable the pause enable register. SW flags 7:0 can be written without this restriction and will cause a pause immediately if activated.

**NOTE**

Due to the susceptibility of creating a clock glitch which could cause register corruption, changing SPHA and SPOL bits should be done in separate writes to the MSPICFG register.

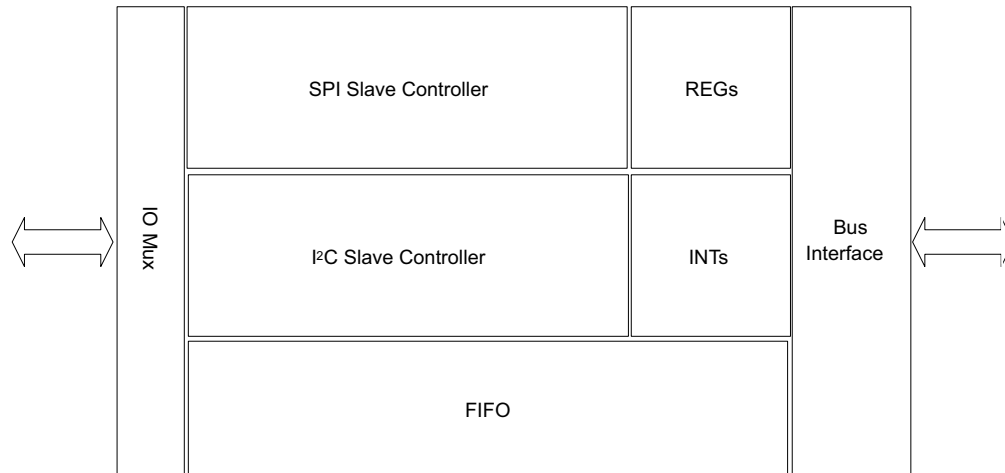
**15.10 Additional Information**

Please consult the Apollo4 Family Programmer's Guide for additional information about IO Master Module operations, where the following topics are covered:

- Interface Clock Generation
- Command Operation
- FIFO
- I<sup>2</sup>C Interface
- SPI Operations
- Bit Orientation

- SPI Flow Control
- Minimizing Power
- IOM Registers

## 16. I<sup>2</sup>C/SPI Slave (IOS)



**Figure 32. Block diagram for the I<sup>2</sup>C/SPI Slave Module**

### 16.1 Functional Overview

The I<sup>2</sup>C/SPI Slave (IOS) Module, shown in Figure 32, allows the Apollo4 Plus SoC to function as a Slave in an I<sup>2</sup>C or SPI system. The I<sup>2</sup>C/SPI Slave operates in an independent fashion, so that the device may be placed in a sleep mode and still receive operations over the I/O interface. The Slave may be configured to generate an interrupt on specific references.

The I<sup>2</sup>C/SPI Slave contains 256 bytes of RAM which is only accessible when the module is enabled. This RAM may be flexibly configured into three spaces: a block directly accessible via the I/O interface, a block which functions as a FIFO for read operations on the interface, and a block of generally accessible RAM used to store parameters during deep sleep mode.

In I<sup>2</sup>C mode the Slave supports fully configurable 7 and 10-bit addressing with interface timing limits as specified in the Inter-Integrated Circuit (I<sup>2</sup>C) Interface section of the Electricals chapter. In SPI mode, the Slave supports all polarity/phase combinations and interface frequencies as specified in the Serial Peripheral Interface (SPI) Slave Interface section.

Please refer to the IO Slave registers of the Apollo4 Plus SoC register set. The register set for this SoC is delivered as part of the AmbiqSuite SDK. Also available and should be referenced and understood are the Apollo4 Family Programmer's Guide and the Errata List document specific to this Apollo4 family member.

**NOTE**

Erratum ERR039 describes a condition of the IOS SPI bus that the Apollo4 device does not tristate the MISO pin when CE is driven high. Instead, the MISO pin is driven static low when CE is driven high.

If there are multiple slaves on the same SPI bus as an Apollo4 configured as a SPI slave, other slave devices will be prevented from driving data onto the MISO line.

Therefore, a restriction on the use of the IOS is to not have any other slave devices on the SPI bus.

## 16.2 Additional Information

Please consult the Apollo4 Family Programmer's Guide for additional information about IO Slave Module operations, where the following topics are covered:

- Local RAM Allocation
- Direct Area Functions
- Rearranging the FIFO
- Interface Interrupts
- Command Completion Interrupts
- Host Address Space and Registers
- I<sup>2</sup>C Interface
- SPI Interface
- Bit Orientation
- Wakeup Using the I<sup>2</sup>C/SPI Slave
- IOSLAVE Registers
- Host Side Address Space and Registers

## 17. Universal Asynchronous Receiver/Transmitter (UART)

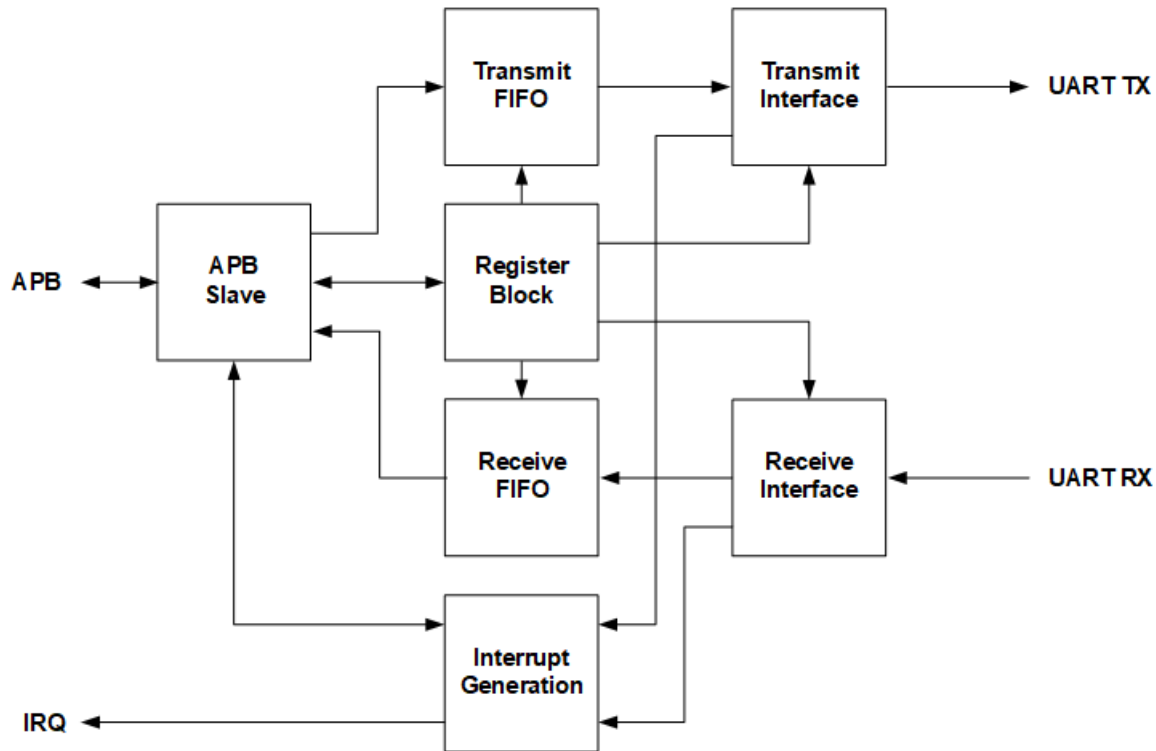


Figure 33. Block Diagram for the UART Module

### 17.1 Features

There are four (4) UART instances in the Apollo4 Plus SoC. The UART Module includes the following key features:

- Operates independently, allowing the SoC to enter a low power sleep mode during communication
- 32 x 8 transmit FIFO and 32 x 12 receive FIFO to reduce MCU computational load
- Programmable baud rate generator
- Fully programmable data size, parity, and stop bit length
- Programmable hardware flow control
- Support for full-duplex and half-duplex communication
- Loop back functionality for diagnostics and testing

### 17.2 Functional Overview

Shown in Figure 33, the UART Module converts parallel data written through the APB Slave port into serial data which is transmitted to an external device. It also receives serial data from an external device and converts it to parallel data, which is then stored in a buffer until the CPU reads the data.

The UART Module includes a programmable baud rate generator. An interrupt generator will optionally send interrupts to the CPU core for transmit, receive and error events.



Internally, the UART Module maintains two FIFOs. The transmit FIFO is 1-byte wide with 32 locations. The receive FIFO is 12-bits wide with 32 locations. The extra four bits in the receive FIFO are used to capture any error status information that the MCU needs to analyze.

### **17.3 Power Control**

The 4 UART modules must be enabled in the PWRCTRL\_DEVPWREN register prior to access and operation. The power status of the UART modules can be read in the PWRCTRL\_DEVPWRSTATUS register. Note that the UART modules are in a single power domain, referred to as HCPA. When one UART is powered on, all other UARTs in this group are powered on as well.

Please refer to the UART registers of the Apollo4 Plus SoC register set. The register set for this SoC is delivered as part of the AmbiqSuite SDK. Also available and should be referenced and understood are the Apollo4 Family Programmer's Guide and the Errata List document specific to this Apollo4 family member.

### **17.4 Additional Information**

Please consult the Apollo4 Family Programmer's Guide for additional information about UART Module operations.

## 18. Universal Serial Bus (USB)

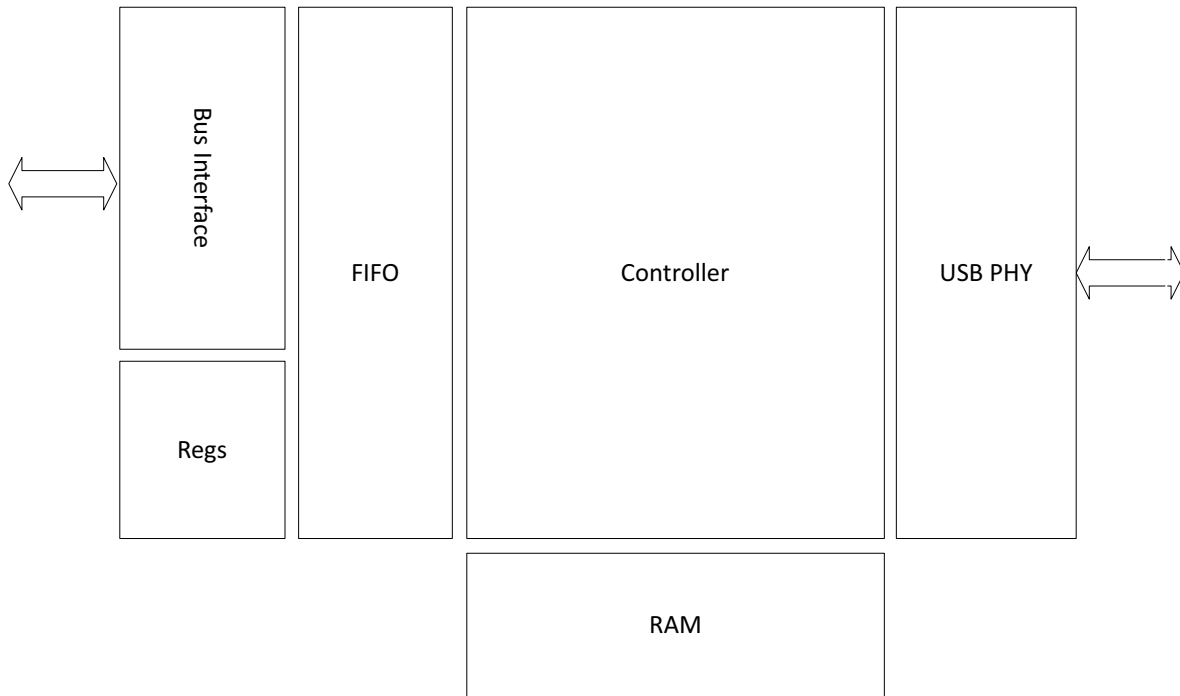


Figure 34. USB Block diagram

### 18.1 Features

The following features are supported in the Apollo4 Plus SoC:

- USB 2.0 FS/HS device with support for low-power mode
- Crystal-less operation
- Battery charging detection (BC1.2 and vendor-specific)
- On-die pull-ups/pull-downs and termination (no external calibration resistors, pull-ups or pull-downs required)
- Dynamic FIFO sizing: 4 kB total FIFO
- IN endpoints: 5
- OUT endpoints: 5
- IN bulk packet splitting
- OUT bulk packet combining
- Soft connect/disconnect
- Suspend mode

#### NOTE

The USB is only supported for firmware updates, debugger I/O, and serial logging output. High-speed USB mode is restricted to use cases where the CPU can be completely dedicated to the USB task.

## 18.2 Functional Overview

The USB subsystem provides support for USB full speed (12 Mbps) and high speed (480 Mbps) interface. This interface is primarily used for bulk data transfer, firmware updates and charging detect.

The USB controller supports up to 5 IN / 5 OUT endpoints plus 1 control. The FIFO sizing for each endpoint is dynamically configurable up to 4 kB.

The Apollo4 Plus SoC has an integrated USB 2.0 PHY with support for suspend mode operation. Battery charger detection is supported within the PHY to enable battery charge algorithm execution and control of the external battery charge / power management IC. The charger detection supports Battery Charging Specification 1.2 (BC1.2) and also supports other non-BC1.2 standards such as Apple charger.

Please refer to the USB registers of the Apollo4 Plus SoC register set. The register set for this SoC is delivered as part of the AmbiqSuite SDK. Also available and should be referenced and understood are the Apollo4 Family Programmer's Guide and the Errata List document specific to this Apollo4 family member.

## 18.3 Hardware Design Guidelines

The following sub-sections provide design guidelines for the use of the Apollo4's USB Controller and PHY. Also, please consult the USB section of the Electricals for voltage, power and timing requirements of the PHY.

### 18.3.1 Battery Charger Detection

Charger detection during USB connection follows the flow shown in Table 35.

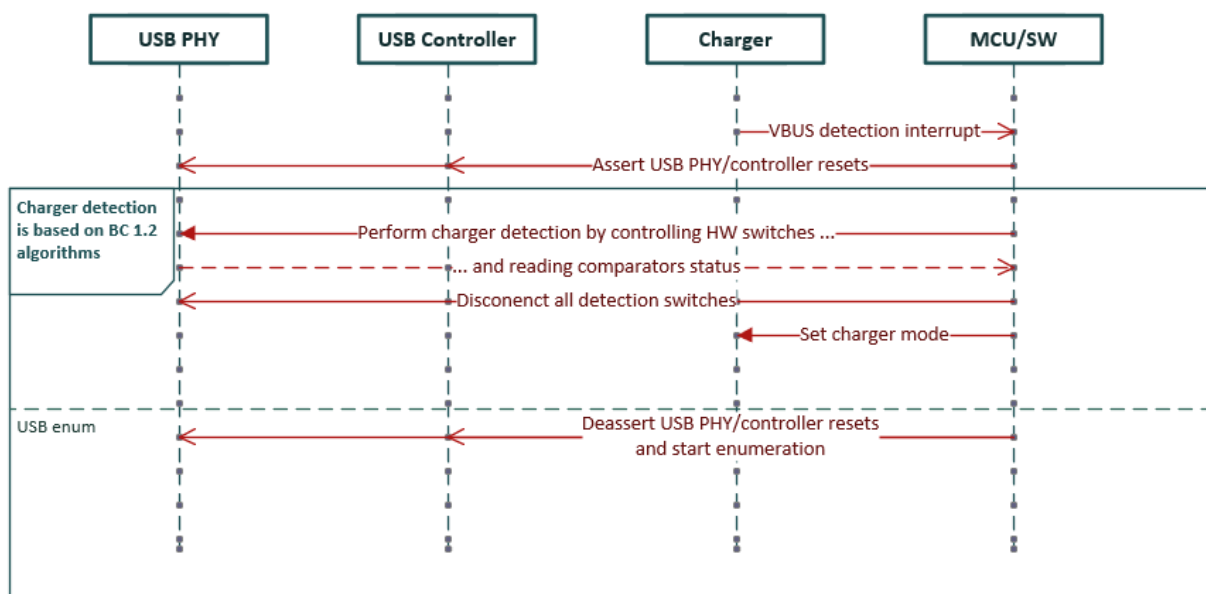


Figure 35. Charger Detection in USB Connection Flow

The charging detection algorithm in Figure 36 is based on the BC 1.2 specification. Weak Battery Algorithm (Figure 37) and Good Battery Algorithm (Figure 38) should be implemented in an interrupt-driven manner to take full advantage of Apollo4's power saving features. Note that debouncing software timers and their interrupts are not shown in the diagram for clarity, but must be implemented according to BC 1.2 specification.

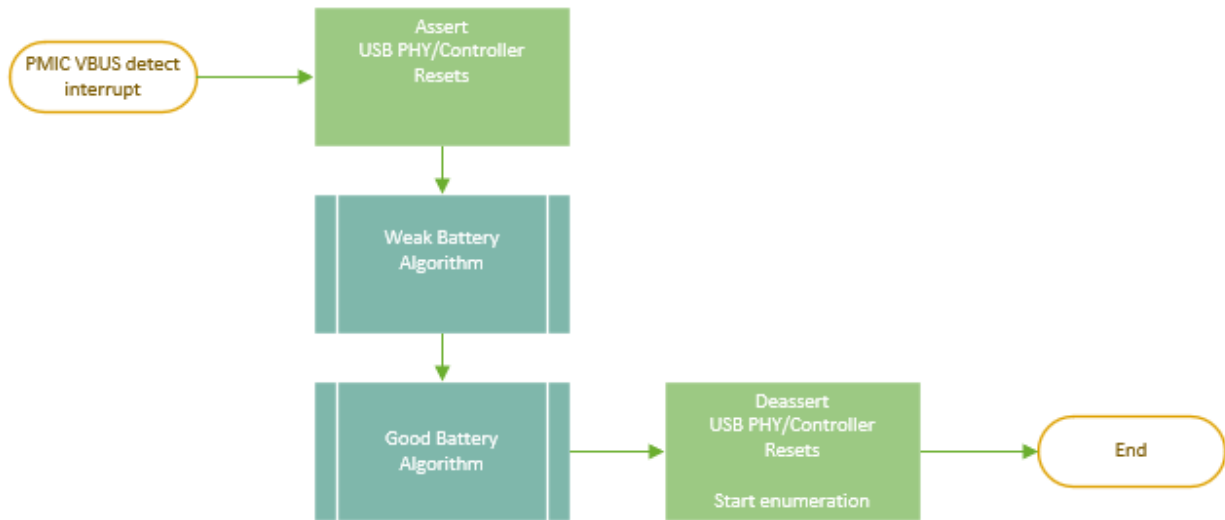


Figure 36. Charging Detection Algorithm

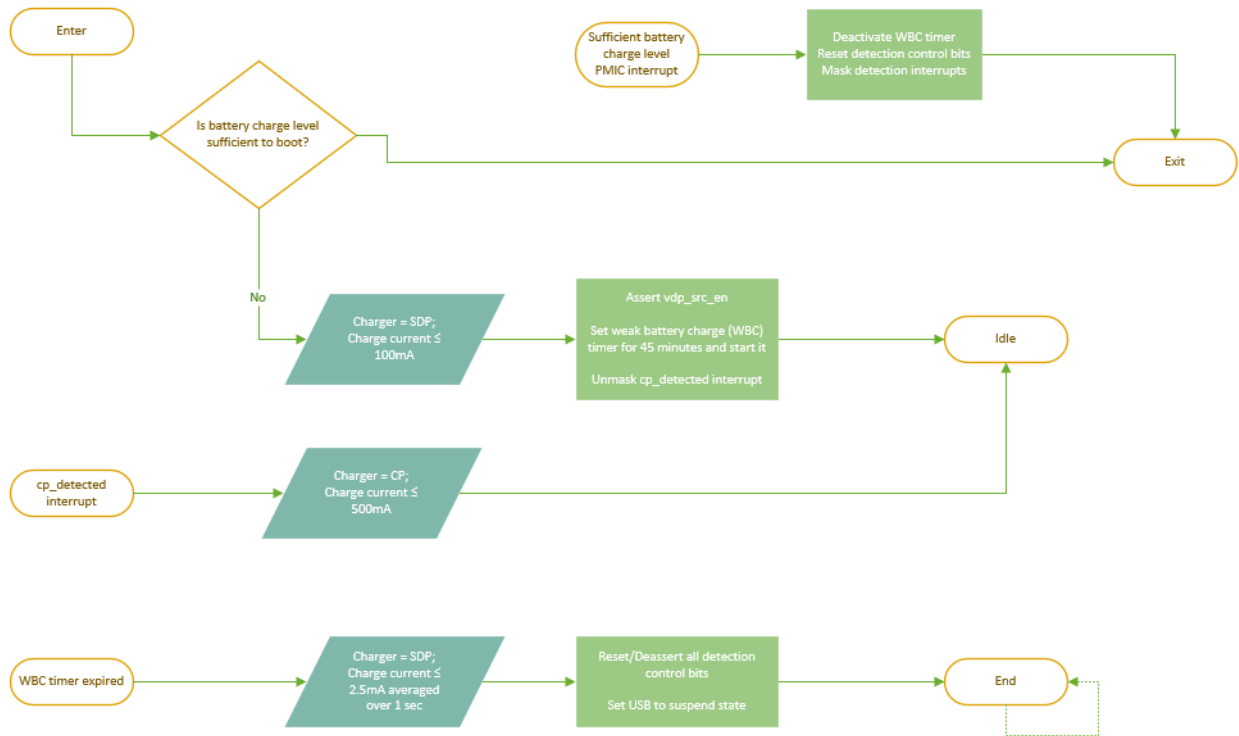
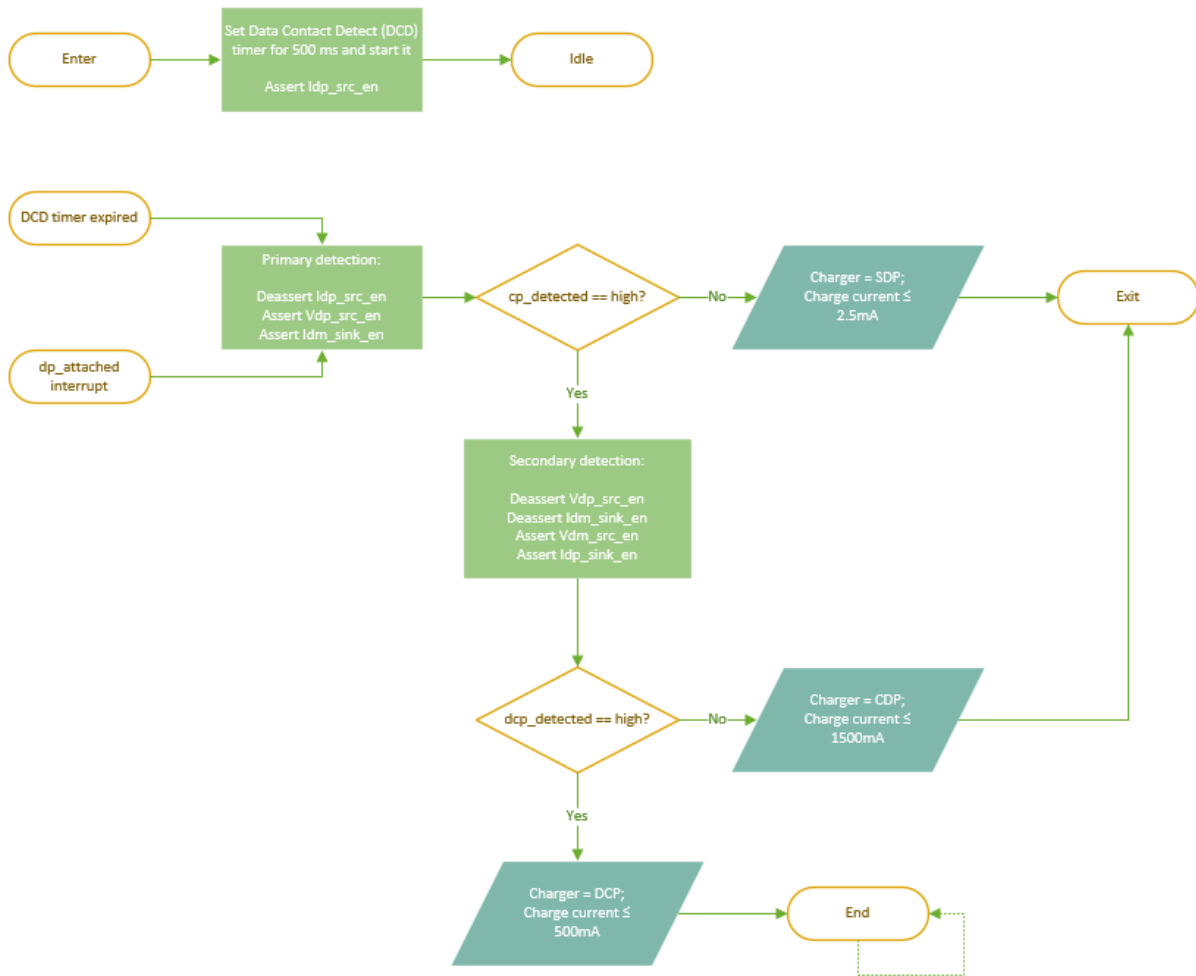


Figure 37. Interrupt-driven Weak Battery Algorithm



**Figure 38. Interrupt-driven Good Battery Algorithm**

Charger detection algorithms should take into account timings between assertion/deassertion control signal and status signal change as shown in Figure 39.

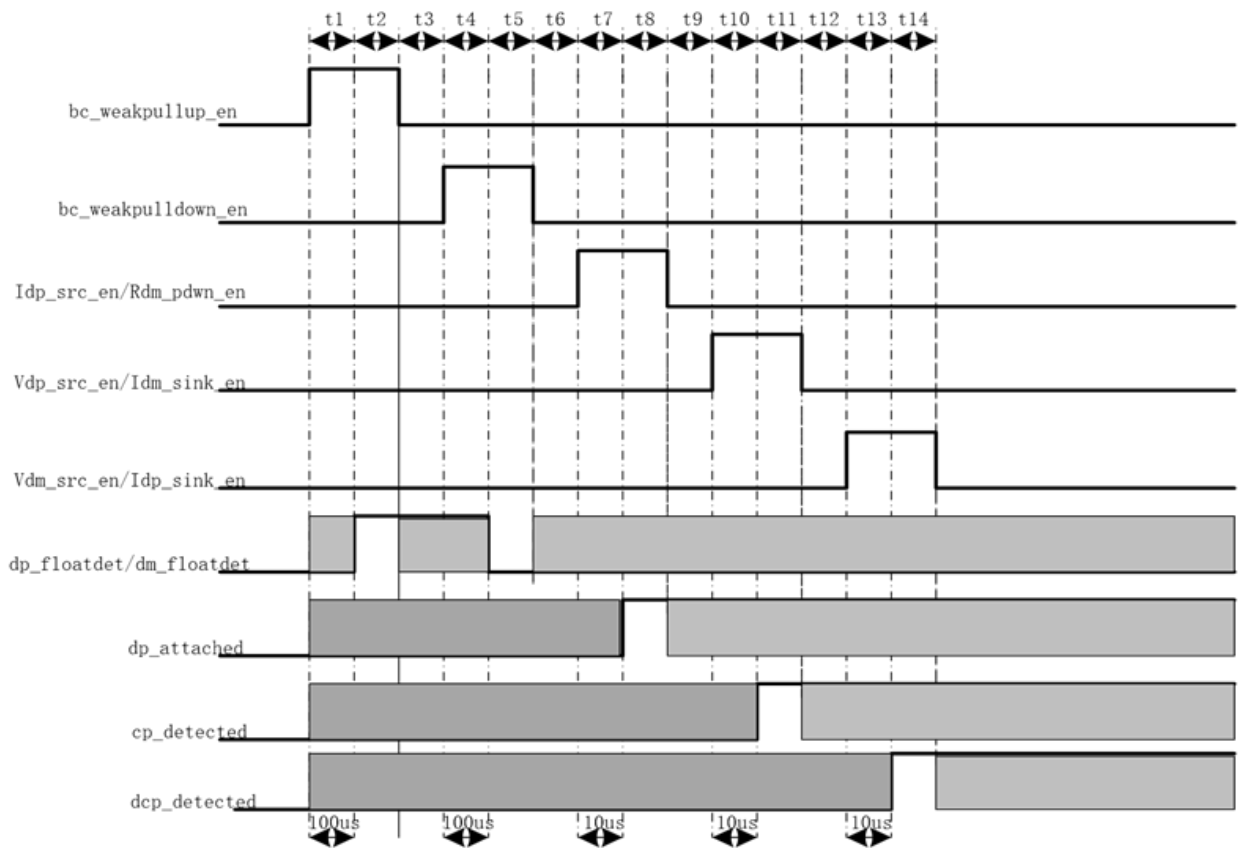


Figure 39. Battery Charging Sequence

**18.3.2 Interface Timing**

See USB PHY section in the Electricals for interface timing specifications.

**18.3.3 System Power Sequencing for USB and DSI PHYs**

The power sequence for the relevant power supplies is contingent on the PHY(s) used in the system. The sections below address the proper sequences which include powering the VDD18, VDDUSB33 (3.3 V) and VDDUSB0P9 (0.9 V) supplies, and cover the cases for USB PHY only, and both USB and DSI PHYs in the system.

Refer to the USB PHY section in the Electricals for supply voltage specifications.

Throughout the power sequences are references to calls in the AmbiqSuite SDK. It is highly recommended to use the SDK and the referenced routines.

**18.3.3.1 USB PHY Only**

**18.3.3.1.1 Recommended Termination of Unused Interface**

1. USB data pads (USB0PP and USB0PN) left open
2. USB PHY power rails VDDUSB33 and VDDUSB0P9 connected to ground

### 18.3.3.1.2 Power Tree

The recommended power tree for this configuration is as follows:

1. VDDUSB33 and VDDUSB0P9 should be powered by an LDO with output discharge and ON/OFF control over I<sup>2</sup>C or GPIO. It is recommended to source VDDUSB33 and VDDUSB0P9 power from USB VBUS to minimize system power consumption from the battery. Some examples of suitable standalone small form factor LDOs:
  - ST Micro LDBL20 in 0.47 x 0.47 x 0.22 mm STSTAMP™ package
  - ST Micro LD39130S in 0.69 x 0.69 x 0.5 mm CSP package
  - TI LP5910 0.74 x 0.74 x 0.4 mm DSBGA package
2. Required system power-on state: VDDUSB33 is OFF, VDDUSB0P9 is OFF

### 18.3.3.1.3 Recommended Interface ESD protection and Common Mode Filtering

ESD protection on the USB data lines, USB0PP and USB0PN, is required. An integrated CMF and TVS solution, such as the Nexperia PCMF1USB3B/C or Panasonic EXC-14CS900H, is recommended.

If the design achieves EMC compliance without CMF on the USB data lines, then a TVS-only solution, such as the TI ESD122DMXR, may be used.

### 18.3.3.1.4 USB VBUS Detection

Apollo4 has no 5V-tolerant pins. Therefore, it relies on the external circuit for getting VBUS power OK (VBUS connected) status. The recommended solution is to connect PMIC/charger VBUS\_OK output to Apollo 4 interrupt-capable GPIO pin.

### 18.3.3.1.5 USB Handling in AmbiqSuite SDK

1. The Apollo4 USB initialization routine in the AmbiqSuite SDK should be used to enable Suspend Mode by setting the ENABL bit of the USB\_CFG0 Register of the USB Controller.
2. To minimize power in the USB suspend state, the software should turn off the FS differential receiver in the Suspend ISR. This may be done by clearing bit 1 of the USB PHY register at offset 0x10. The Resume ISR requires powering on the FS receiver by setting this same bit.
3. An API for registering a given GPIO as the USB VBUS interrupt source is available in the SDK. It can be configured with various triggering options such as level/edge and positive/negative edge triggering).

### 18.3.3.1.6 USB PHY Initialization Sequence

The sequences below assume that the SoC is powered on and booted to the application. On USB VBUS connect interrupt, perform the following actions.

#### Silicon Start-up Sequence:

1. Enable Apollo4 internal power rail to USB interface (VDDF\_USB\_SW).
2. Enable power to both VDDUSB0P9 and VDDUSB33 simultaneously.
3. Enable USB PHY reset override:
  - Force USB PHY POR reset by clearing the MCUCTRL\_USBPHYRESET\_USBPHYPORRSTDIS bit.
  - Force USB PHY UTMI reset by clearing the MCUCTRL\_USBPHYRESET\_USBPHYUTMIRSTDIS bit.

Table 14: Reset Bits in the USBPHYRESET Register

| MCUCTRL_USBPHYRESET Register<br>Address: 0x40020418 |                  |     |                              |
|---|------------------|-----|------------------------------|
| Bit No.   | Name             | R/W | Description                  |
| 1   | USBPHYUTMIRSTDIS | W   | De-assert USB PHY UTMI reset |
| 0   | USBPHYPORRSTDIS  | W   | De-assert USB PHY POR reset  |

4. Perform charger detection (optional step).
5. Disable USB PHY reset override:
  - Remove force from USB PHY POR reset by setting the MCUCTRL\_USBPHYRESET\_USBPHY-PORRSTDIS bit.
  - Remove force from USB PHY UTMI reset by setting the MCUCTRL\_USBPHYRESET\_USBPHYUT-MIRSTDIS bit.
6. Initialize USB SW stack.
7. Enable host connect (call `am_hal_usb_attach()`).

## NOTE

Regarding the selection of HFRC2 for the USB PHY reference clock in High-Speed Mode, there is the possibility of the asynchronous shutdown of the HFRC2 clock divider causing a glitch when the requesting peripheral stops requesting the HFRC2 and allows it to be shut down. The HFRC2 must be forced on when it is to be used such that it does not get powered down by the internal hardware.

The HFRC2 is forced on by setting the CLKGEN\_MISC\_FRCHFRC2 bit. The sequence for selecting the HFRC2 as the clock source is to first force FRCHFRC2 bit on, then switch clock sources, and finally engage the peripheral.

If HFRC2 is the clock source, then shutting the module down cleanly requires switching to HFRC, for example, and then disabling the HFRC2 by clearing the CLKGEN\_MISC\_FRCHFRC2 bit.

### 18.3.3.1.7 USB PHY Shut-down Sequence

On a USB VBUS disconnect interrupt, the SoC should follow the below shut-down sequence.

#### Silicon Shut-down Sequence:

1. Put USB device in SUSPEND state.
2. Disable host connect (call `am_hal_usb_detach()`).
3. Disable power to USB PHY external rail(s).
4. Enable USB PHY reset override:
  - Force USB PHY POR reset by clearing the MCUCTRL\_USBPHYRESET\_USBPHYPORRSTDIS bit.
  - Force USB PHY UTMI reset by clearing the MCUCTRL\_USBPHYRESET\_USBPHYUTMIRSTDIS bit.



5. Disable Apollo4 internal power rail to USB interface (VDDF\_USB\_SW).

### **18.3.3.2 USB and DSI PHYs**

#### **18.3.3.2.1 Power Tree**

The recommended power tree for this configuration is as follows:

1. VDD18, VDDUSB33, and VDDUSB0P9 are powered by LDO rails with output discharge and an independent ON/OFF control over I<sup>2</sup>C or GPIO. It is recommended to source VDDUSB33 and VDDUSB0P9 power from USB VBUS to minimize system power consumption from the battery.
2. The following power-on (default) states are allowed:
  - VDD18 is OFF, VDDUSB33 is OFF, VDDUSB0P9 is OFF

#### **18.3.3.2.2 USB VBUS Detection**

Designs utilizing USB should implement USB VBUS detection via GPIO interrupt asserted on USB VBUS connect event.

#### **18.3.3.2.3 System Initialization Sequence**

The sequence below assumes that the SoC is powered on and booted to the application. On USB VBUS connect interrupt, perform the following actions:

1. Perform DSI initialization sequence as described in section “DSI PHY Only” on page 170.
2. Perform USB initialization sequence as described in section “USB PHY Only” on page 142.

### **18.3.4 Suspend State Power Consumption**

USB PHY power consumption in suspend state when both 3.3 V and 0.9 V are supplied is as specified in the Electricals.

### **18.3.5 USB Data Line Filtering**

A TVS on the data lines, USB0PP and PSB0PN, is required. An integrated CMF and TVS solution, such as the Panasonic EXC-14CS900H, is recommended. If the design achieves EMC compliance without CMF on the USB data lines, then a TVS-only solution, such as the TI ESD122DMXR, may be used.

### **18.3.6 Charger Detection and USB Enumeration Requirements**

Apollo4 has no 5V-tolerant pins. Therefore, it relies on the external circuit for getting VBUS power OK (VBUS connected) status. The recommended solution is connecting PMIC/charger VBUS\_OK output to Apollo 4 interrupt-capable GPIO pin.

### **18.3.7 LDO for USB PHY Power**

Suitable small form-factor LDOs which could be used for USB PHY power rails are as follows:

- ST Micro LDBL20 in 0.47 x 0.47 x 0.22 mm STSTAMP™ package: <https://www.st.com/resource/en/datasheet/ldbl20.pdf>
- ST Micro LD39130S in 0.69 x 0.69 x 0.5 mm CSP package: <https://www.st.com/resource/en/datasheet/ld39130s.pdf>
- TI LP5910 0.74 x 0.74 x 0.4 mm DSBGA package: <http://www.ti.com/product/LP5910>

### **18.3.8 Unused Interface Terminations**

When the USB port is not used, the following supply and signal terminations should be followed.

- DP/DM pins should be left open.
- VCCA3P3 and VCCA0P9 should be connected to ground.

#### **18.4 Additional Information**

Please consult the Apollo4 Family Programmer's Guide for additional information about USB Module operations.

## 19. Secure Digital Input Output (SDIO)

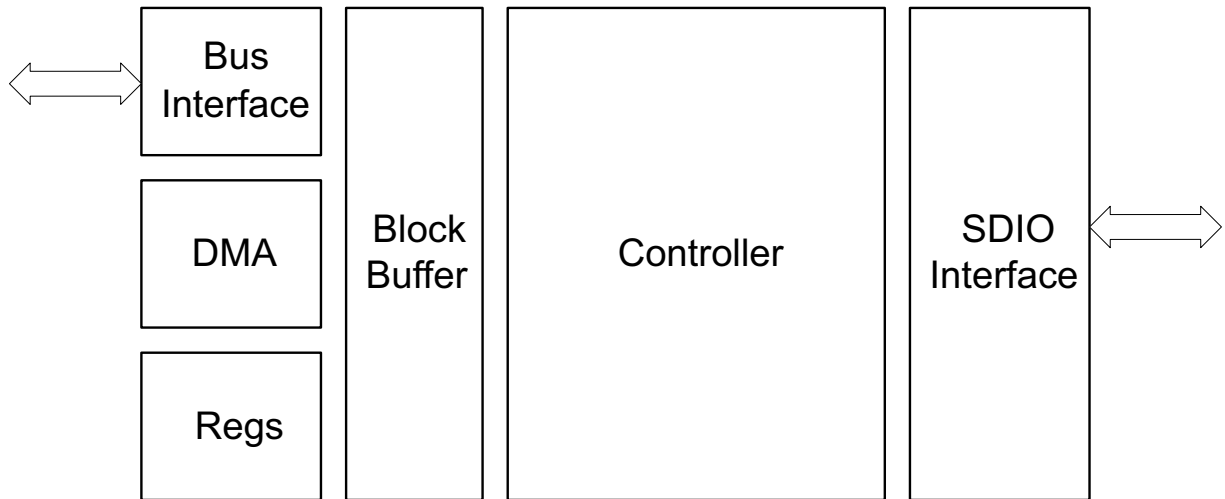


Figure 40. SDIO Block Diagram

### 19.1 Features

Features of the SDIO Module are as follows:

- SDIO card specification Version 3.0
- Host clock rate variable between 0 and 96 MHz
- Up to 50 MBytes per second data rate using 4 parallel data lines (SDR50 mode)
- Transfers data in 1 bit and 4 bit SD modes
- Transfers data in SDR50 modes
- Cyclic Redundancy Check CRC7 for command and CRC16 for data integrity
- Variable-length data transfers
- Performs Read wait Control, Suspend/Resume operation SDIO CARD
- Supports Read wait Control, Suspend/Resume operation

#### NOTE

Only bare metal operation is supported at a maximum clock frequency of 96 MHz and SDR only.

### 19.2 Functional Overview

The SDIO host controller provides support for higher bandwidth device transfer. Typical application is for IC connectivity. The SDIO controller supports up to 2 kB block buffering as well as dedicated DMA controller support to provide maximum host offload. The DMA algorithm supported is the Advanced DMA version 2 (ADMA2) which allows for flexibility in memory allocation. The controller interface supports a programmable DLL to allow for timing tuning for optimal windowing.

Please refer to the SDIO registers of the Apollo4 Plus SoC register set. The register set for this SoC is delivered as part of the AmbiqSuite SDK. Also available and should be referenced and understood are the Apollo4 Family Programmer's Guide and the Errata List document specific to this Apollo4 family member.

### 19.3 Additional Information

Please consult the Apollo4 Family Programmer's Guide for additional information about SDIO Module operations.

## 20. Display Controller (DC)

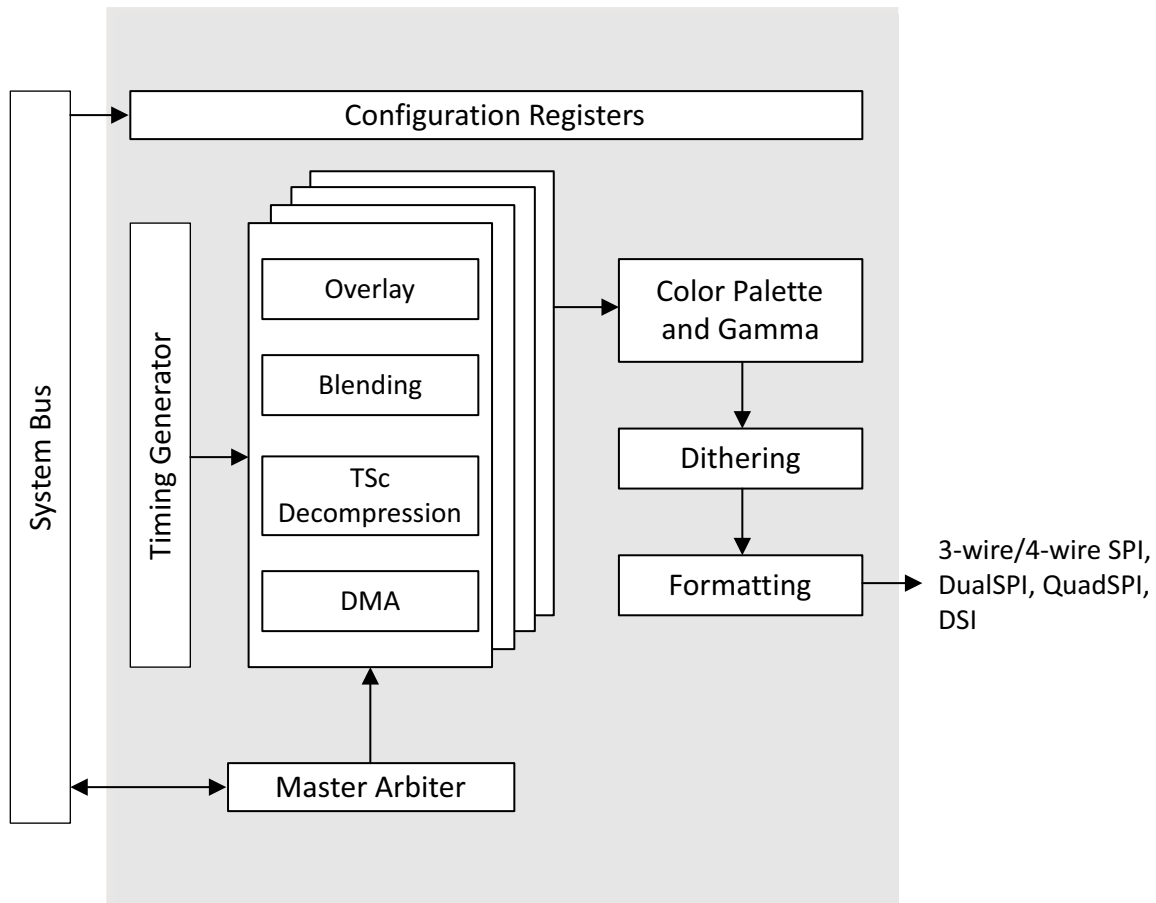


Figure 41. Apollo4 Plus SoC Display Controller Block Diagram

### 20.1 Features

- Programmable display resolutions up to 500x500
- Compressed framebuffer support
- 4 graphics layers
- Powerful composition
  - Alpha blending
  - Programmable size, offset and format per layer
  - Programmable stride/pitch enabling panning and clipping
- Per layer palette
- Global or Gamma correction (layers 3 and 4 only)
- Configurable dithering 15/16/18-bits for better results on displays

### 20.2 Functional Overview

The Display Controller (DC) contains several smart tools and functionalities to compose multiple graphics layers by improving image quality and contributing significantly to the reduction of the SoC power consumption.

The DC supports composition features, a wide range of display interfaces and advanced proprietary frame-buffer compression technology. The core is designed to lift the workload off the Graphics Processing Unit (GPU) or the host processor (CPU), in GPU-less systems, and minimize the memory bandwidth.

Multiple layers can be clipped, positioned and composed on the final display by overlaying graphics or application windows, with or without transparency. The Display Controller supports four layers.

Please refer to the Display Controller registers of the Apollo4 Plus SoC register set. The register set for this SoC is delivered as part of the AmbiqSuite SDK. Also available and should be referenced and understood are the Apollo4 Family Programmer's Guide and the Errata List document specific to this Apollo4 family member.

### 20.2.1 Display Interfaces

- 3-wire/4-wire SPI
  - Pixel data writes at 50MHz
  - Command read at 10MHz (1-wire)
  - Command write at 50MHz (1-wire)
- DualSPI or QuadSPI interface mode
- QuadSPI DDR Mode support
- DSI (Display Serial Interface) via on-chip DSI module
- Serial formats 2-beat, 3-beat and 4-beat RGB
- RGBA4444 and ARGB4444 input formats supported
- Two independent 32-byte FIFOs, one dedicated to each direction of data transfer

#### NOTE

The following configurations are supported to achieve the listed frame rate at the specified display size:

1. Screen size 390x390, single RGB24 frame buffer in SSRAM, assets in PSRAM, QSPI or DSI interface  
Supported frame rate (fps): 50
2. Screen size 390x390, dual RGB565 frame buffers in SSRAM, assets in PSRAM, DSI interface  
Supported frame rate (fps): 60
3. Screen size 454x454, dual TSC6 frame buffers in SSRAM, assets in PSRAM (TSC-compressed), DSI interface  
Supported frame rate (fps): 60

#### NOTE

Use of RGBA4444 or ARGB4444 input color modes are supported, but the DC on the Apollo4 SoCs does not support any of RGB4444 interfaces, including NEMADC\_RGBA4444 and NEMADC\_ARGB4444. NEMADC\_RGBA4444 interface is supported on Apollo4 Plus SoCs.

**NOTE**

Use of the DPI-2 interface is not recommended or supported, and is therefore not included in the list of available display interfaces.

### 20.2.2 Configuration Options

- DMA
  - Scanline based
  - Tile based (MIPI)
- Layer Overlay
  - 4 layers
- Screen formatting (output encoding)

## 20.3 Architecture

This section provides a high-level description of the DC's internal architecture, frame buffer compression/decompression, the supported color formats and the display format interfaces.

### 20.3.1 Top Level Description

The Display Controller's configuration register file controls the operation of the display controller. Timing parameters are programmable and data are fetched for each layer by a dedicated DMA engine. Additional modules include:

- Gamma adjustment
- Dithering application

Depending on the target screen, output can be formatted to different types. Figure 41 depicts the main hardware components and the features of the Display Controller.

### 20.3.2 Blending Modes

During the blending process, a translucent foreground color (current layer) with a background color (previous layer) are combined and a new blended color is produced. Foreground color's translucency may range from completely transparent to completely opaque. If the foreground color is completely transparent, the blended color will be the background color and if the foreground color is completely opaque, the blended color will be the foreground color. When the translucency ranges in between, the blended color is computed as a weighted average of the foreground and background colors.

### 20.3.3 Dithering

Dithering is the process of degrading the color image with a method that tries to produce better results than information truncation.

Dithering is used to create the illusion of "color depth" in images with a limited color palette. In a dithered image, colors that are not available in the palette are approximated by a diffusion of colored pixels from within the available palette. The human eye perceives the diffusion as a mixture of the colors within it.

## 20.4 Additional Information

Please consult the Apollo4 Family Programmer's Guide for additional information about Display Controller Module operations.

## Blank Page



## 21. Graphics Processing Unit (GPU)

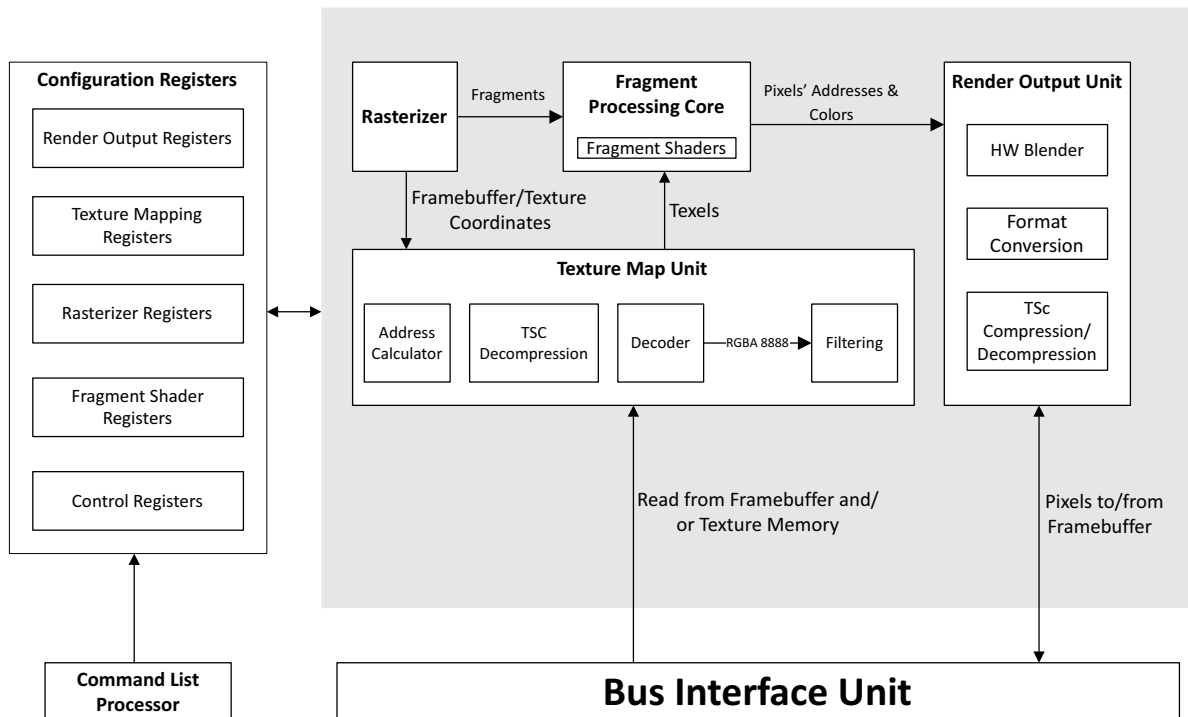


Figure 42. GPU Block Diagram

### 21.1 Features

- Hardware Components:
  - Programmable Shader engine
  - VLIW instruction set architecture supporting low-level vector graphics processing
  - Fixed point functional units
  - Command list-based DMAs to minimize CPU overhead
  - Primitive Rasterizer
  - Texture Mapping unit
  - Blending unit
- Drawing Primitives:
  - Pixel / Line drawing
  - Filled rectangles
  - Triangles (Gouraud Shaded)
  - Quadrilateral
- Color formats
  - 32-bit RGBA8888/BGRA8888/ABGR8888
  - 24-bit RGB
  - 16-bit RGBA5551/RGB565
  - 8-bit A8/L8/RGB332
  - 4-bit A4/L4
  - 2-bit A2/L2
  - 1-bit A1/L1

- YUV (Read only)
- TSC™ (Optional)
- Image transformation
  - Texture mapping
  - Point sampling
  - Bilinear filtering
  - Blit support
  - Rotation any angle
  - Mirroring
  - Stretch (independently on x and y axis)
  - Source and/or destination color keying
  - Format conversions on the fly
- 2.5D Perspective Correct Projections
- Text rendering supports
  - Bitmap antialiased A1/A2/A4/A8
  - Font Kerning
  - Unicode (UTF8)
- Blending Support
  - Fully Programmable Alpha blending modes (Source and Destination)
  - Source/Destination color keying
- Antialiasing hardware support
  - 8x multi-sample anti-aliasing (MSAA)
  - Quadrilaterals per edge Antialiasing
  - Triangles per edge Antialiasing
  - Antialiased Thick lines
- Antialiased Circles
- Dithering hardware support

## 21.2 Functional Overview

The GPU on the Apollo4 Plus SoC brings high quality graphics for user interfaces in a very small power budget. The GPU supports entry level IoT platforms, wearable and embedded devices with low cost and ultra-low power requirements and provides fluid graphics experience for a wide range of applications. Developers are able to create compelling Graphical User Interfaces (GUIs) and software applications with ultra-long battery life at a significantly lower cost for power-memory-area constrained IoT devices.

The GPU module's functions and interface are as shown in Figure 42.

Please refer to the GPU registers of the Apollo4 Plus SoC register set. The register set for this SoC is delivered as part of the AmbiqSuite SDK. Also available and should be referenced and understood are the Apollo4 Family Programmer's Guide and the Errata List document specific to this Apollo4 family member.

## 21.3 Architecture

The GPU has been designed for graphics efficiency in ultra-compact silicon area. Its fixed-point data path and instruction set architecture (ISA) are tailored to GUIs acceleration and small display applications leading to substantial improvements in power consumption and silicon area. The GPU microarchitecture combines hardware-level support for multi-threading, VLIW and low-level vector processing in the most power efficient way.

### 21.3.1 I/O Interfaces

- Connected via an AXI bus that helps it communicate with the MCU, the configuration registers and system memory.

- Uses three AXI master ports 32/64-bit that access the main memory and fetch data from it (textures, frame data, etc.).
- The AXI version contains a separate command list AXI bus specifically for that purpose (CL Bus).

## 21.3.2 Graphics Pipeline

### 21.3.2.1 Configuration Register File

The GPU is programmed through a set of registers called the Configuration Register File (CRF) and each sub-module of the GPU is programmed through a subset of the CRF. The CRF can be memory mapped to the CPU address space, thus making it directly accessible. Writing the CRF directly is considered inefficient since it consumes a large volume of the CPU resources and ties the CPU execution to the GPU. For this reason, it can also be accessed indirectly through the Command List Processor (CLP).

### 21.3.2.2 Command List Processor

In order to decouple CPU and GPU execution and achieve both better performance and lower power consumption, the GPU incorporates an advanced Command List Processor (CLP), capable of reading entire lists of commands from the main memory and relay them to the Configuration Register File.

The CPU pre-assembles Command Lists (CL) prior to submitting them to the Command List Processor for execution, while a single Command List can be submitted multiple times. This approach alleviates the CPU from recalculating drawing operations for repetitive tasks, resulting in more efficient resource utilization.

The steps for writing commands to the Configuration Registers through the Command List Processor are the following:

1. The CPU assembles a Command List, through the GFX Library.
2. The CPU submits the Command List for execution. The Command List Processor is informed of a pending Command List.
3. The Command List Processor reads the Command List from the System Memory.
4. The Command List Processor relays the commands to the Configuration Register File.

### 21.3.2.3 Rasterizer

The GPU can draw a multitude of geometrical shapes called Geometric Primitives, such as lines, rectangles, triangles and quadrilaterals. The Rasterizer Unit reads the coordinates of the primitives' vertices and feeds the rest of the graphics pipeline with the fragments contained in the geometry. A fragment contains information concerning a single pixel. This information includes raster position (coordinates), texture coordinates, interpolated color and alpha values.

The Rasterizer can draw:

- Pixel Drawing
- Line Drawing (at any direction)
- Filled Rectangles
- Quadrilaterals
- Triangles

In addition, the Rasterizer handles clipping, that is dropping fragments that are outside the effective drawing area and back-face culling, that is dropping entire primitives that are considered to be non-visible, like the rear looking faces of a cube. If a pixel resides inside or outside of the geometry primitive, is determined by the value of  $E$  which is positive inside the geometry primitive and negative outside of it.

The pixel's edge function value is calculated for each line of the geometry primitive (e.g. 3 times for a triangle) using the following equation:

$$E = A \cdot x + B \cdot y + C.$$

Although the equation requires two multiplications and two additions, since the variation is always one pixel on the x or y axis, this is reduced to a single accumulator.

The color variances are also calculated in a similar way, where each of the RGBA components is linearly interpolated across the geometry of the primitive. With the hardware blender, each edge can be independently programmed to either have antialiasing or not. The Rasterizer determines the coverage value of each pixel as a function of the pixel center to the closest edge distance.

Transformations are performed using matrix multiplication. The Vector Matrix Multiplier multiplies a 2x1 Vector (x, y) by a 3x3 homogeneous Matrix to produce a new 2x1 Vector (Tx, Ty). The following computation is required to calculate texel coordinates from screen coordinates:

$$Tx = \frac{t00 \cdot x + t01 \cdot y + t02}{t20 \cdot x + t21 \cdot y + t22} \quad Ty = \frac{t10 \cdot x + t11 \cdot y + t12}{t20 \cdot x + t21 \cdot y + t22}$$

#### 21.3.2.4 Texture Map Unit

The Texture Map Unit produces texels that sends to the Fragment Processing Core. It is fed with texture's attributes (base address, dimensions, color format) and the required coordinates. The Texture Map Unit performs some internal processing and outputs the corresponding texel. Generating a texture element requires a series of operations like wrapping (clamp, mirror, repeat e.t.c.), reading corresponding color values from memory, converting the color values to RGBA8888 format and performing filtering if necessary.

#### 21.3.2.5 Fragment Processing Core

The Fragment Processing Core is the main processing unit of the GPU's architecture. It is a 64-bit VLIW processor which performs computations on the fragments coming from the Rasterizer Unit and on the texels coming from the Texture Map Unit and calculates the final color to a fragment. The Core is programmable through binary executables called Fragment Shaders.

#### 21.3.2.6 Render Output Unit

The Render Output Unit (ROP) is the last stage of the Graphics Pipeline. The Fragment Processing Core feeds the Render Output Unit with the pixel's coordinates and color value. Before the color value is written to the memory, the color is converted to the Frame Buffer's format. When texture compression is used, decompression is performed while reading from the Frame Buffer and compression is performed while writing to the Frame Buffer.

With the hardware blender, the Render Output Unit reads pixels from the Fragment Processing Core (source) and pixels from the Frame Buffer (destination) to perform blending. Blending requires a series of calculations between the source (foreground) and destination (background) color fragments to produce the final color, which is written back to memory. The following equations are used for the final color:

$$Fc = Sc \cdot Sf + Dc \cdot Df \quad Fa = Sa \cdot Sf + Da \cdot Df$$

The Color and Alpha values range from 0 to 1, therefore each calculation result is also clamped to the same range. The available Blend Factors and the resulting RGBA values are listed in Table 18. Figure 48 shows the effect of the blending modes.

Table 15: Blend Factors

| Blending mode     | Blend Factors              | RGBA                                     |
|-------------------|----------------------------|--|
| Name              | ( <i>Sf</i> or <i>Df</i> ) | Value                                    |
| DSBF_ZERO         | 0                          | 0, 0, 0, 0                               |
| DSBF_ONE          | 1                          | 1, 1, 1, 1                               |
| DSBF_SRCOLOR      | <i>Sc</i>                  | <i>Rsrc, Gsrc, Bsrc, Asrc</i>            |
| DSBF_INVSRCCOLOR  | $(1 - Sc)$                 | $1 - Rsrc, 1 - Gsrc, 1 - Bsrc, 1 - Asrc$ |
| DSBF_SRCALPHA     | <i>Sa</i>                  | <i>Asrc, Asrc, Asrc, Asrc</i>            |
| DSBF_INVSRCALPHA  | $(1 - Sa)$                 | $1 - Asrc, 1 - Asrc, 1 - Asrc, 1 - Asrc$ |
| DSBF_DESTALPHA    | <i>Da</i>                  | <i>Adst, Adst, Adst, Adst</i>            |
| DSBF_INVDESTALPHA | $(1 - Da)$                 | $1 - Adst, 1 - Adst, 1 - Adst, 1 - Adst$ |
| DSBF_DESTCOLOR    | <i>Dc</i>                  | <i>Rdst, Gdst, Bdst, Adst</i>            |
| DSBF_INVDESTCOLOR | $(1 - Dc)$                 | $1 - Rdst, 1 - Gdst, 1 - Bdst, 1 - Adst$ |
| DSBF_CONSTCOLOR   | <i>Cc</i>                  | <i>Rconst, Gconst, Bconst, Aconst</i>    |
| DSBF_CONSTALPHA   | <i>Ca</i>                  | <i>Aconst, Aconst, Aconst, Aconst</i>    |
| DSBF_UNKNOWN      | 0                          | 0, 0, 0, 0                               |

***Sc*: Source Color*****Sa*: Source Alpha*****Sf*: Source Blend Factor (multiplier)*****Fc*: Final Color*****Sc*: Source Color*****Sa*: Source Alpha*****Sf*: Source Blend Factor (multiplier)*****Fc*: Final Color*****Fa*: Final Alpha*****Dc*: Destination Color*****Da*: Destination Alpha*****Df*: Destination Blend Factor (multiplier)*****Cc*: Constant Color*****Dc*: Destination Color*****Da*: Destination Alpha*****Df*: Destination Blend Factor (multiplier)*****Cc*: Constant Color*****Ca*: Constant Alpha**

and the RGBA values are noted as follows:

***Rsrc*: Source Red value**      ***Rdst*: Destination Red value*****tsrc*: Source Green value**      ***tdst*: Destination Green value*****Bsrc*: Source Blue value**      ***Bdst*: Destination Blue value*****Asrc*: Source Alpha value**      ***Adst*: Destination Alpha value**

*Rconst*: **Constant Red value**  
*Gconst*: **Constant Green value**  
*Bconst*: **Constant Blue value**  
*Aconst*: **Constant Alpha value**

| DESTINATION \ SOURCE | TS_BF_ZERO | TS_BF_ONE | TS_BF_SRCOLOR | TS_BF_INVSRCOLOR | TS_BF_SRCALPHA | TS_BF_INVSRCALPHA | TS_BF_DESTALPHA | TS_BF_INVDESTALPHA | TS_BF_DESTCOLOR | TS_BF_INVDESTCOLOR |
|----------------------|------------|-----------|---------------|------------------|----------------|-------------------|-----------------|--------------------|-----------------|--------------------|
| TS_BF_ZERO           | [          | D         | [ :           | D                | [ :            | D                 | D               | [                  | D               | [                  |
| TS_BF_ONE            | [S         | DS        | [S            | DS               | [S             | DS                | DS              | [S                 | DS              | [S                 |
| TS_BF_SRCOLOR        | [S         | DS        | [S            | DS               | [S             | DS                | DS              | [S                 | DS              | [S                 |
| TS_BF_INVSRCOLOR     | [          | D         | [ :           | D                | [ :            | D                 | D               | [                  | D               | [                  |
| TS_BF_SRCALPHA       | [S         | DS        | [S            | DS               | [S             | DS                | DS              | [S                 | DS              | [S                 |
| TS_BF_INVSRCALPHA    | [          | D         | [ :           | D                | [ :            | D                 | D               | [                  | D               | [                  |
| TS_BF_DESTALPHA      | [ :        | D         | [ :           | D                | [ :            | D                 | D               | [ :                | D               | [ :                |
| TS_BF_INVDESTALPHA   | [S         | DS        | [S            | DS               | [S             | DS                | DS              | [S                 | DS              | [S                 |
| TS_BF_DESTCOLOR      | [ :        | D         | [ :           | D                | [ :            | D                 | D               | [ :                | D               | [ :                |
| TS_BF_INVDESTCOLOR   | [S         | DS        | [S            | DS               | [S             | DS                | DS              | [S                 | DS              | [S                 |

Figure 43. Blending Modes

### 21.3.3 Frame buffer Compression

- Framebuffer compression operates in screen blocks (4x4 pixel blocks) and, depending on the configuration, achieves TSC™4, TSC™6 and TSC™6a lossy, fixed-ratio compression.
- TSC™4 is a 6:1 compression (4 bpp)
- TSC™6 is a 4:1 compression (6 bpp)

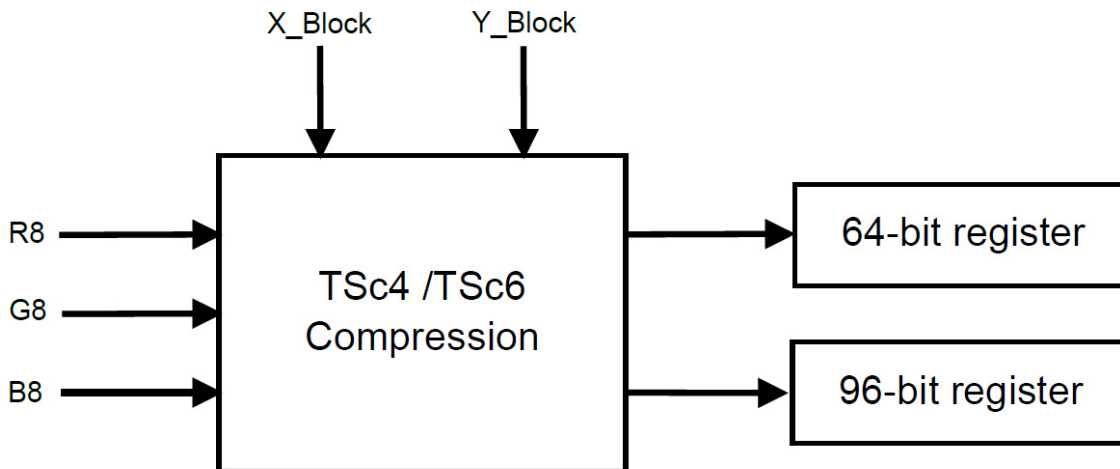


Figure 44. TSC™4 /TSC™6 Framebuffer Compression Module

**21.3.4 Color Modes**

The GPU supports multiple color formats. The most common color formats that are supported are the following.

**21.3.4.1 RGBX8888 32-bits**

Valid Input and Output color format

Value: 0x00

|         |    |    |    |    |    |    |    |        |    |    |    |    |    |    |    |        |    |    |    |    |    |    |    |        |    |    |    |    |    |    |    |
|---------|----|----|----|----|----|----|----|--------|----|----|----|----|----|----|----|--------|----|----|----|----|----|----|----|--------|----|----|----|----|----|----|----|
| Pixel 0 |    |    |    |    |    |    |    |        |    |    |    |    |    |    |    |        |    |    |    |    |    |    |    |        |    |    |    |    |    |    |    |
| 31      | 30 | 29 | 28 | 27 | 26 | 25 | 24 | 23     | 22 | 21 | 20 | 19 | 18 | 17 | 16 | 15     | 14 | 13 | 12 | 11 | 10 | 9  | 8  | 7      | 6  | 5  | 4  | 3  | 2  | 1  | 0  |
| X7      | X6 | X5 | X4 | X3 | X2 | X1 | X0 | B7     | B6 | B5 | B4 | B3 | B2 | B1 | B0 | G7     | G6 | G5 | G4 | G3 | G2 | G1 | G0 | R7     | R6 | R5 | R4 | R3 | R2 | R1 | R0 |
| Byte 3  |    |    |    |    |    |    |    | Byte 2 |    |    |    |    |    |    |    | Byte 1 |    |    |    |    |    |    |    | Byte 0 |    |    |    |    |    |    |    |

**21.3.4.2 RGBA8888 32-bits**

Valid Input and Output color format

Value: 0x01

|         |    |    |    |    |    |    |    |        |    |    |    |    |    |    |    |        |    |    |    |    |    |    |    |        |    |    |    |    |    |    |    |
|---------|----|----|----|----|----|----|----|--------|----|----|----|----|----|----|----|--------|----|----|----|----|----|----|----|--------|----|----|----|----|----|----|----|
| Pixel 0 |    |    |    |    |    |    |    |        |    |    |    |    |    |    |    |        |    |    |    |    |    |    |    |        |    |    |    |    |    |    |    |
| 31      | 30 | 29 | 28 | 27 | 26 | 25 | 24 | 23     | 22 | 21 | 20 | 19 | 18 | 17 | 16 | 15     | 14 | 13 | 12 | 11 | 10 | 9  | 8  | 7      | 6  | 5  | 4  | 3  | 2  | 1  | 0  |
| A7      | A6 | A5 | A4 | A3 | A2 | A1 | A0 | B7     | B6 | B5 | B4 | B3 | B2 | B1 | B0 | G7     | G6 | G5 | G4 | G3 | G2 | G1 | G0 | R7     | R6 | R5 | R4 | R3 | R2 | R1 | R0 |
| Byte 3  |    |    |    |    |    |    |    | Byte 2 |    |    |    |    |    |    |    | Byte 1 |    |    |    |    |    |    |    | Byte 0 |    |    |    |    |    |    |    |

**21.3.4.3 XRGB8888 32-bits**

Valid Input and Output color format

Value: 0x02

|         |    |    |    |    |    |    |    |       |    |    |    |    |    |    |    |       |    |    |    |    |    |    |    |       |    |    |    |    |    |    |    |
|---------|----|----|----|----|----|----|----|-------|----|----|----|----|----|----|----|-------|----|----|----|----|----|----|----|-------|----|----|----|----|----|----|----|
| Pixel 0 |    |    |    |    |    |    |    |       |    |    |    |    |    |    |    |       |    |    |    |    |    |    |    |       |    |    |    |    |    |    |    |
| 31      | 30 | 29 | 28 | 27 | 26 | 25 | 24 | 23    | 22 | 21 | 20 | 19 | 18 | 17 | 16 | 15    | 14 | 13 | 12 | 11 | 10 | 9  | 8  | 7     | 6  | 5  | 4  | 3  | 2  | 1  | 0  |
| B7      | B6 | B5 | B4 | B3 | B2 | B1 | B0 | G7    | G6 | G5 | G4 | G3 | G2 | G1 | G0 | R7    | R6 | R5 | R4 | R3 | R2 | R1 | R0 | X7    | X6 | X5 | X4 | X3 | X2 | X1 | X0 |
| Byte3   |    |    |    |    |    |    |    | Byte2 |    |    |    |    |    |    |    | Byte1 |    |    |    |    |    |    |    | Byte0 |    |    |    |    |    |    |    |

**21.3.4.4 ARGB8888 32-bits**

Valid Input and Output color format

Value: 0x03

|         |    |    |    |    |    |    |    |        |    |    |    |    |    |    |    |        |    |    |    |    |    |    |    |        |    |    |    |    |    |    |    |
|---------|----|----|----|----|----|----|----|--------|----|----|----|----|----|----|----|--------|----|----|----|----|----|----|----|--------|----|----|----|----|----|----|----|
| Pixel 0 |    |    |    |    |    |    |    |        |    |    |    |    |    |    |    |        |    |    |    |    |    |    |    |        |    |    |    |    |    |    |    |
| 31      | 30 | 29 | 28 | 27 | 26 | 25 | 24 | 23     | 22 | 21 | 20 | 19 | 18 | 17 | 16 | 15     | 14 | 13 | 12 | 11 | 10 | 9  | 8  | 7      | 6  | 5  | 4  | 3  | 2  | 1  | 0  |
| B7      | B6 | B5 | B4 | B3 | B2 | B1 | B0 | G7     | G6 | G5 | G4 | G3 | G2 | G1 | G0 | R7     | R6 | R5 | R4 | R3 | R2 | R1 | R0 | A7     | A6 | A5 | A4 | A3 | A2 | A1 | A0 |
| Byte 3  |    |    |    |    |    |    |    | Byte 2 |    |    |    |    |    |    |    | Byte 1 |    |    |    |    |    |    |    | Byte 0 |    |    |    |    |    |    |    |

**21.3.4.5 RGB5650 16-bits**

Valid Input and Output color format

Value: 0x04

|         |    |    |    |    |    |    |    |        |    |    |    |    |    |    |    |
|---------|----|----|----|----|----|----|----|--------|----|----|----|----|----|----|----|
| Pixel 0 |    |    |    |    |    |    |    |        |    |    |    |    |    |    |    |
| 15      | 14 | 13 | 12 | 11 | 10 | 9  | 8  | 7      | 6  | 5  | 4  | 3  | 2  | 1  | 0  |
| R4      | R3 | R2 | R1 | R0 | G5 | G4 | G3 | G2     | G1 | G0 | B4 | B3 | B2 | B1 | B0 |
| Byte 1  |    |    |    |    |    |    |    | Byte 0 |    |    |    |    |    |    |    |

**21.3.4.6 RGBA5551 16-bits**

Valid Input and Output color format

Value: 0x05

|         |    |    |    |    |    |    |    |        |    |    |    |    |    |    |    |
|---------|----|----|----|----|----|----|----|--------|----|----|----|----|----|----|----|
| Pixel 0 |    |    |    |    |    |    |    |        |    |    |    |    |    |    |    |
| 15      | 14 | 13 | 12 | 11 | 10 | 9  | 8  | 7      | 6  | 5  | 4  | 3  | 2  | 1  | 0  |
| R4      | R3 | R2 | R1 | R0 | G4 | G3 | G2 | G1     | G0 | B4 | B3 | B2 | B1 | B0 | A0 |
| Byte 1  |    |    |    |    |    |    |    | Byte 0 |    |    |    |    |    |    |    |

**21.3.4.7 RGBA4444 16-bits**

Valid as Input color format only



Value: 0x06

| Pixel 0 |    |    |    |    |    |    |    |        |    |    |    |    |    |    |    |
|---------|----|----|----|----|----|----|----|--------|----|----|----|----|----|----|----|
| 15      | 14 | 13 | 12 | 11 | 10 | 9  | 8  | 7      | 6  | 5  | 4  | 3  | 2  | 1  | 0  |
| R3      | R2 | R1 | R0 | G3 | G2 | G1 | G0 | B3     | B2 | B1 | B0 | A3 | A2 | A1 | A0 |
| Byte 1  |    |    |    |    |    |    |    | Byte 0 |    |    |    |    |    |    |    |

**21.3.4.8 RGBA0008 8-bits**

Valid as Input color format only

Value: 0x08

| Pixel 0 |    |    |    |    |    |    |    |
|---------|----|----|----|----|----|----|----|
| 7       | 6  | 5  | 4  | 3  | 2  | 1  | 0  |
| A7      | A6 | A5 | A4 | A3 | A2 | A1 | A0 |
| Byte 0  |    |    |    |    |    |    |    |

**21.3.4.9 L8 8-bits**

Valid Input and Output color format

Value: 0x09

| Pixel 0 |    |    |    |    |    |    |    |
|---------|----|----|----|----|----|----|----|
| 7       | 6  | 5  | 4  | 3  | 2  | 1  | 0  |
| L7      | L6 | L5 | L4 | L3 | L2 | L1 | L0 |
| Byte 0  |    |    |    |    |    |    |    |

**21.3.4.10 L1 Big-Endian 1-bit**

Only available as input format

Value: 0x0B

| Pixel 0 | Pixel 1 | Pixel 2 | Pixel 3 | Pixel 4 | Pixel 5 | Pixel 6 | Pixel 7 |
|---------|---------|---------|---------|---------|---------|---------|---------|
| 7       | 6       | 5       | 4       | 3       | 2       | 1       | 0       |
| L0      | L0      | L0      | L0      | L0      | L0      | L0      | L0      |
| Byte 0  |         |         |         |         |         |         |         |

**21.3.4.11 A1 Big-Endian 1-bit**

Only available as input format

Value: 0x0c

| Pixel 0 | Pixel 1 | Pixel 2 | Pixel 3 | Pixel 4 | Pixel 5 | Pixel 6 | Pixel 7 |
|---------|---------|---------|---------|---------|---------|---------|---------|
| 7       | 6       | 5       | 4       | 3       | 2       | 1       | 0       |
| A0      | A0      | A0      | A0      | A0      | A0      | A0      | A0      |
| Byte 0  |         |         |         |         |         |         |         |

**21.3.4.12 20.5.4.12UYVY 32-bits 2-pixels**

Only available as input format

Value: 0x0D

|          |    |    |    |    |    |    |    |           |    |    |    |    |    |    |    |          |    |    |    |    |    |    |    |           |    |    |    |    |    |    |    |
|----------|----|----|----|----|----|----|----|-----------|----|----|----|----|----|----|----|----------|----|----|----|----|----|----|----|-----------|----|----|----|----|----|----|----|
| Pixel 11 |    |    |    |    |    |    |    | Pixel 1&0 |    |    |    |    |    |    |    | Pixel 10 |    |    |    |    |    |    |    | Pixel 1&0 |    |    |    |    |    |    |    |
| 31       | 30 | 29 | 28 | 27 | 26 | 25 | 24 | 23        | 22 | 21 | 20 | 19 | 18 | 17 | 16 | 15       | 14 | 13 | 12 | 11 | 10 | 9  | 8  | 7         | 6  | 5  | 4  | 3  | 2  | 1  | 0  |
| Y7       | Y6 | Y5 | Y4 | Y3 | Y2 | Y1 | Y0 | V7        | V6 | V5 | V4 | V3 | V2 | V1 | V0 | Y7       | Y6 | Y5 | Y4 | Y3 | Y2 | Y1 | Y0 | U7        | U6 | U5 | U4 | U3 | U2 | U1 | U0 |
| Byte 3   |    |    |    |    |    |    |    | Byte 2    |    |    |    |    |    |    |    | Byte 1   |    |    |    |    |    |    |    | Byte 0    |    |    |    |    |    |    |    |

**21.3.4.13 ABGR8888 32-bits**

Only available as input format

Value: 0x0E

|          |    |    |    |    |    |    |    |        |    |    |    |    |    |    |    |        |    |    |    |    |    |    |    |        |    |    |    |    |    |    |    |
|----------|----|----|----|----|----|----|----|--------|----|----|----|----|----|----|----|--------|----|----|----|----|----|----|----|--------|----|----|----|----|----|----|----|
| Pixel 10 |    |    |    |    |    |    |    |        |    |    |    |    |    |    |    |        |    |    |    |    |    |    |    |        |    |    |    |    |    |    |    |
| 31       | 30 | 29 | 28 | 27 | 26 | 25 | 24 | 23     | 22 | 21 | 20 | 19 | 18 | 17 | 16 | 15     | 14 | 13 | 12 | 11 | 10 | 9  | 8  | 7      | 6  | 5  | 4  | 3  | 2  | 1  | 0  |
| R7       | R6 | R5 | R4 | R3 | R2 | R1 | R0 | G7     | G6 | G5 | G4 | G3 | G2 | G1 | G0 | B7     | B6 | B5 | B4 | B3 | B2 | B1 | B0 | A7     | A6 | A5 | A4 | A3 | A2 | A1 | A0 |
| Byte 3   |    |    |    |    |    |    |    | Byte 2 |    |    |    |    |    |    |    | Byte 1 |    |    |    |    |    |    |    | Byte 0 |    |    |    |    |    |    |    |

**21.3.4.14 BGRA 32-bits**

Only available as input format

Value: 0x10

|          |    |    |    |    |    |    |    |        |    |    |    |    |    |    |    |        |    |    |    |    |    |    |    |        |    |    |    |    |    |    |    |
|----------|----|----|----|----|----|----|----|--------|----|----|----|----|----|----|----|--------|----|----|----|----|----|----|----|--------|----|----|----|----|----|----|----|
| Pixel 10 |    |    |    |    |    |    |    |        |    |    |    |    |    |    |    |        |    |    |    |    |    |    |    |        |    |    |    |    |    |    |    |
| 31       | 30 | 29 | 28 | 27 | 26 | 25 | 24 | 23     | 22 | 21 | 20 | 19 | 18 | 17 | 16 | 15     | 14 | 13 | 12 | 11 | 10 | 9  | 8  | 7      | 6  | 5  | 4  | 3  | 2  | 1  | 0  |
| A7       | A6 | A5 | A4 | A3 | A2 | A1 | A0 | R7     | R6 | R5 | R4 | R3 | R2 | R1 | R0 | G7     | G6 | G5 | G4 | G3 | G2 | G1 | G0 | B7     | B6 | B5 | B4 | B3 | B2 | B1 | B0 |
| Byte 3   |    |    |    |    |    |    |    | Byte 2 |    |    |    |    |    |    |    | Byte 1 |    |    |    |    |    |    |    | Byte 0 |    |    |    |    |    |    |    |

**21.3.4.15 BGRX 32-bits**

Only available as input format

Value: 0x11

|          |    |    |    |    |    |    |    |        |    |    |    |    |    |    |    |        |    |    |    |    |    |    |    |        |    |    |    |    |    |    |    |
|----------|----|----|----|----|----|----|----|--------|----|----|----|----|----|----|----|--------|----|----|----|----|----|----|----|--------|----|----|----|----|----|----|----|
| Pixel 10 |    |    |    |    |    |    |    |        |    |    |    |    |    |    |    |        |    |    |    |    |    |    |    |        |    |    |    |    |    |    |    |
| 31       | 30 | 29 | 28 | 27 | 26 | 25 | 24 | 23     | 22 | 21 | 20 | 19 | 18 | 17 | 16 | 15     | 14 | 13 | 12 | 11 | 10 | 9  | 8  | 7      | 6  | 5  | 4  | 3  | 2  | 1  | 0  |
| X7       | X6 | X5 | X4 | X3 | X2 | X1 | X0 | R7     | R6 | R5 | R4 | R3 | R2 | R1 | R0 | G7     | G6 | G5 | G4 | G3 | G2 | G1 | G0 | B7     | B6 | B5 | B4 | B3 | B2 | B1 | B0 |
| Byte 3   |    |    |    |    |    |    |    | Byte 2 |    |    |    |    |    |    |    | Byte 1 |    |    |    |    |    |    |    | Byte 0 |    |    |    |    |    |    |    |

**21.3.4.16 TSC4 16-pixels / 64 - bits**

Valid Input and Output color format

Value: 0x12

**21.3.4.17 TSC6 16-pixels / 96 - bits**

Valid Input and Output color format

Value: 0x16

**21.3.4.18 TSC6A 16-pixels with Alpha / 96 - bits**

Valid Input and Output color format

Value: 0x17

**21.3.4.19 A1LE Little-Endian 1-bit**

Only available as input format

Value: 0x27

| Pixel 7 | Pixel 6 | Pixel 5 | Pixel 4 | Pixel 3 | Pixel 2 | Pixel 1 | Pixel 0 |
|---------|---------|---------|---------|---------|---------|---------|---------|
| 7       | 6       | 5       | 4       | 3       | 2       | 1       | 0       |
| A0      | A0      | A0      | A0      | A0      | A0      | A0      | A0      |
| Byte 0  |         |         |         |         |         |         |         |

**21.3.4.20 A2LE Little-Endian 2-bits**

Only available as input format

Value: 0x28

| Pixel 3 |    | Pixel 2 |    | Pixel 1 |    | Pixel 0 |    |
|---------|----|---------|----|---------|----|---------|----|
| 7       | 6  | 5       | 4  | 3       | 2  | 1       | 0  |
| A1      | A0 | A1      | A0 | A1      | A0 | A1      | A0 |
| Byte 0  |    |         |    |         |    |         |    |

**21.3.4.21 A4LE Little-Endian 4-bits**

Only available as input format

Value: 0x29

| Pixel 1 |    |    |    | Pixel 0 |    |    |    |
|---------|----|----|----|---------|----|----|----|
| 7       | 6  | 5  | 4  | 3       | 2  | 1  | 0  |
| A3      | A2 | A1 | A0 | A3      | A2 | A1 | A0 |
| Byte 0  |    |    |    |         |    |    |    |

**21.3.4.22 L1LE Little-Endian 1-bit**

Only available as input format

Value: 0x2A

| Pixel 7 | Pixel 6 | Pixel 5 | Pixel 4 | Pixel 3 | Pixel 2 | Pixel 1 | Pixel 0 |
|---------|---------|---------|---------|---------|---------|---------|---------|
| 7       | 6       | 5       | 4       | 3       | 2       | 1       | 0       |
| L0      | L0      | L0      | L0      | L0      | L0      | L0      | L0      |
| Byte 0  |         |         |         |         |         |         |         |

**21.3.4.23 L2LE Little-Endian 2-bits**

Only available as input format

Value: 0x2B

| Pixel 3 |    | Pixel 2 |    | Pixel 1 |    | Pixel 0 |    |
|---------|----|---------|----|---------|----|---------|----|
| 7       | 6  | 5       | 4  | 3       | 2  | 1       | 0  |
| L1      | L0 | L1      | L0 | L1      | L0 | L1      | L0 |
| Byte 0  |    |         |    |         |    |         |    |

**21.3.4.24 L4LE Little-Endian 4-bits**

Only available as input format

Value: 0x2c

| Pixel 1 |    |    |    | Pixel 0 |    |    |    |
|---------|----|----|----|---------|----|----|----|
| 7       | 6  | 5  | 4  | 3       | 2  | 1  | 0  |
| L3      | L2 | L1 | L0 | L3      | L2 | L1 | L0 |
| Byte 0  |    |    |    |         |    |    |    |

**21.3.4.25 A2 Big-Endian 2-bits**

Only available as input format

Value: 0x30

| Pixel 0 |    | Pixel 1 |    | Pixel 2 |    | Pixel 3 |    |
|---------|----|---------|----|---------|----|---------|----|
| 7       | 6  | 5       | 4  | 3       | 2  | 1       | 0  |
| A1      | A0 | A1      | A0 | A1      | A0 | A1      | A0 |
| Byte 0  |    |         |    |         |    |         |    |

**21.3.4.26 L2 Big-Endian 2-bits**

Only available as input format

Value: 0x31

| Pixel 0 |    | Pixel 1 |    | Pixel 2 |    | Pixel 3 |    |
|---------|----|---------|----|---------|----|---------|----|
| 7       | 6  | 5       | 4  | 3       | 2  | 1       | 0  |
| L1      | L0 | L1      | L0 | L1      | L0 | L1      | L0 |
| Byte 0  |    |         |    |         |    |         |    |

**21.3.4.27 A4 Big-Endian 4-bits**

Only available as input formatValue: 0x34

| Pixel 0 |    |    |    | Pixel 1 |    |    |    |
|---------|----|----|----|---------|----|----|----|
| 7       | 6  | 5  | 4  | 3       | 2  | 1  | 0  |
| A3      | A2 | A1 | A0 | A3      | A2 | A1 | A0 |
| Byte 0  |    |    |    |         |    |    |    |

**21.3.4.28 L4 Big-Endian 4-bits**

Only available as input format

Value: 0x35

| Pixel 0 |    |    |    | Pixel 1 |    |    |    |
|---------|----|----|----|---------|----|----|----|
| 7       | 6  | 5  | 4  | 3       | 2  | 1  | 0  |
| L3      | L2 | L1 | L0 | L3      | L2 | L1 | L0 |
| Byte 0  |    |    |    |         |    |    |    |

**21.3.4.29 RGBA3320 8-bits**

Only available as input format

Value: 0x38

| Pixel 0 |    |    |    |    |    |    |    |
|---------|----|----|----|----|----|----|----|
| 7       | 6  | 5  | 4  | 3  | 2  | 1  | 0  |
| R2      | R1 | R0 | G2 | G1 | G0 | B1 | B0 |
| Byte 0  |    |    |    |    |    |    |    |

**21.3.4.30 BGR24 24-bits**

Only available for AHB Master Bus

Valid Input and Output color format

Value: 0x39

| Pixel 0 |    |    |    |    |    |    |    |        |    |    |    |    |    |    |    |        |    |    |    |    |    |    |    |
|---------|----|----|----|----|----|----|----|--------|----|----|----|----|----|----|----|--------|----|----|----|----|----|----|----|
| 23      | 22 | 21 | 20 | 19 | 18 | 17 | 16 | 15     | 14 | 13 | 12 | 11 | 10 | 9  | 8  | 7      | 6  | 5  | 4  | 3  | 2  | 1  | 0  |
| R7      | R6 | R5 | R4 | R3 | R2 | R1 | R0 | G7     | G6 | G5 | G4 | G3 | G2 | G1 | G0 | B7     | B6 | B5 | B4 | B3 | B2 | B1 | B0 |
| Byte 2  |    |    |    |    |    |    |    | Byte 1 |    |    |    |    |    |    |    | Byte 0 |    |    |    |    |    |    |    |

**21.3.4.31 RGB24 24-bits**

Only available for AHB Master Bus

Valid Input and Output color format

Value: 0x3c

| Pixel 0 |    |    |    |    |    |    |    |        |    |    |    |    |    |    |    |        |    |    |    |    |    |    |    |
|---------|----|----|----|----|----|----|----|--------|----|----|----|----|----|----|----|--------|----|----|----|----|----|----|----|
| 23      | 22 | 21 | 20 | 19 | 18 | 17 | 16 | 15     | 14 | 13 | 12 | 11 | 10 | 9  | 8  | 7      | 6  | 5  | 4  | 3  | 2  | 1  | 0  |
| B7      | B6 | B5 | B4 | B3 | B2 | B1 | B0 | G7     | G6 | G5 | G4 | G3 | G2 | G1 | G0 | R7     | R6 | R5 | R4 | R3 | R2 | R1 | R0 |
| Byte 2  |    |    |    |    |    |    |    | Byte 1 |    |    |    |    |    |    |    | Byte 0 |    |    |    |    |    |    |    |

**21.3.4.32 Color Expansion**

The internal format is always on RGBA8888 32-bit format. Therefore, lower order color formats are expanded to 8-bits per color channel. This is achieved by high-order bit replication. For example, a 5-bit color format is constructed as follows:

$$C[7:0] = \{C[4:0]; C[4:2]\}$$

## 21.4 Additional Information

Please consult the Apollo4 Family Programmer's Guide for additional information about graphics development and GPU Module operations.

## 22. Display Serial Interface (DSI)

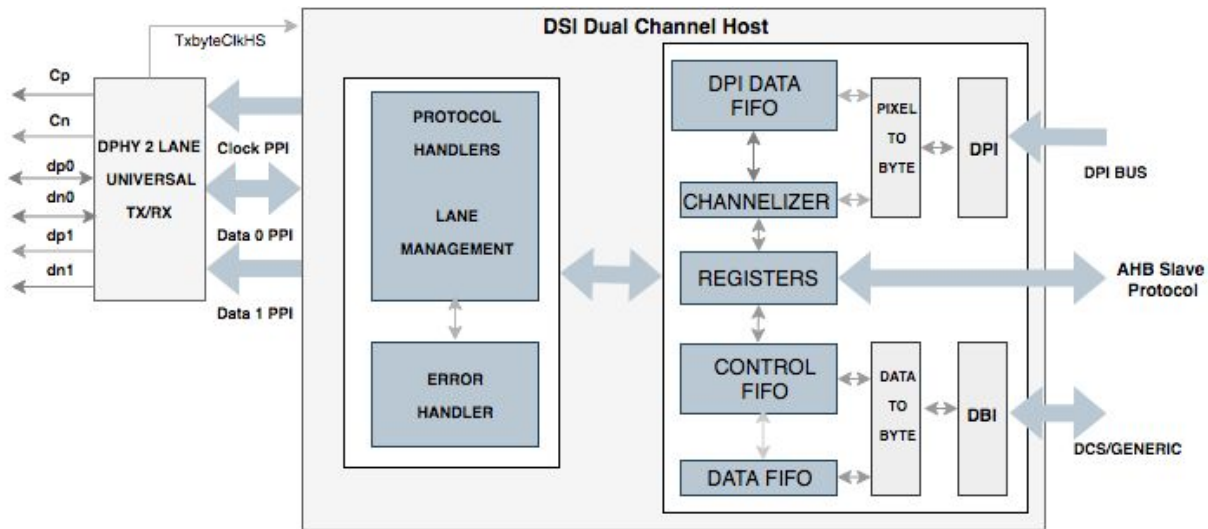


Figure 45. DSI Controller Block Diagram

### 22.1 Features

The DSI on the Apollo4 Plus SoC supports the features listed below.

- Standard D-PHY transceiver compliant to MIPI Specification
- Type1 display architecture in command mode
- Can be programmed to support command mode in single channel mode
- Generic read and write commands
- Low power data transfer for both DBI/generic
- Pixel formats of types:
  - 16bpp [RGB565]
  - 18bpp [RGB666] and [Loosely packed RGB666]
  - 24bpp [888RGB]
- Recovery from contention
- Timers and recovery schemes to come out of mode fault errors
- Watchdog timers to monitor D-PHY activity:
  - in low power mode
  - in high speed mode
  - during turn-around
- Interrupts to report protocol errors and expiry of timers
- Programmable device initialization timers
- Programmable maximum return packet size command
- One or two PHY data lanes
- DBI interface for DCS commands and data transfer
- Data lane switching to low power mode during idle time
- Signals tearing effect
- Ultra low power mode switching
- Bus turn-around
- EOT disabling capacity to suit backward compatible displays
- Clock stop enabling feature during idle time
- Added support for deskew calibration
- Supported display resolutions:

- QCIF
- QVGA
- CIF
- VGA

The DSI is compliant with the following standards:

- DSI MIPI specification for Display Serial Interface (Version1.3.1)
- D-PHY standard MIPI specification (Version1.2)
- MIPI Alliance Standard for Display Bus Interface version2.0 0
- MIPI Alliance Standard for Display Command Set Version 1.02

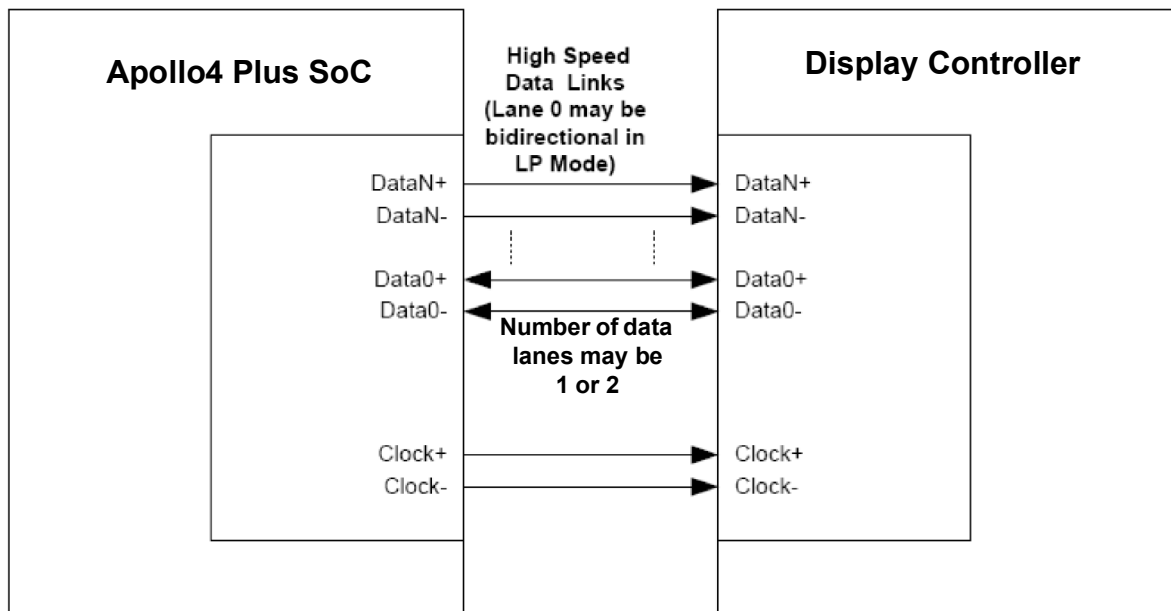
**NOTE**

The DSI supports Type 1 display architecture in command mode only. Video Mode is not supported.

## 22.2 Functional Overview

The Display Serial Interface bus (DSI) on the Apollo4 Plus SoC is a type of serial bus that enables transfer of data between a transmitter device and a receiver device. The DSI device has a point-to-point connection with DSI devices via D-PHYs as shown in Figure 46.

Please refer to the DSI registers of the Apollo4 Plus SoC register set. The register set for this SoC is delivered as part of the AmbiqSuite SDK. Also available and should be referenced and understood are the Apollo4 Family Programmer’s Guide and the Errata List document specific to this Apollo4 family member.



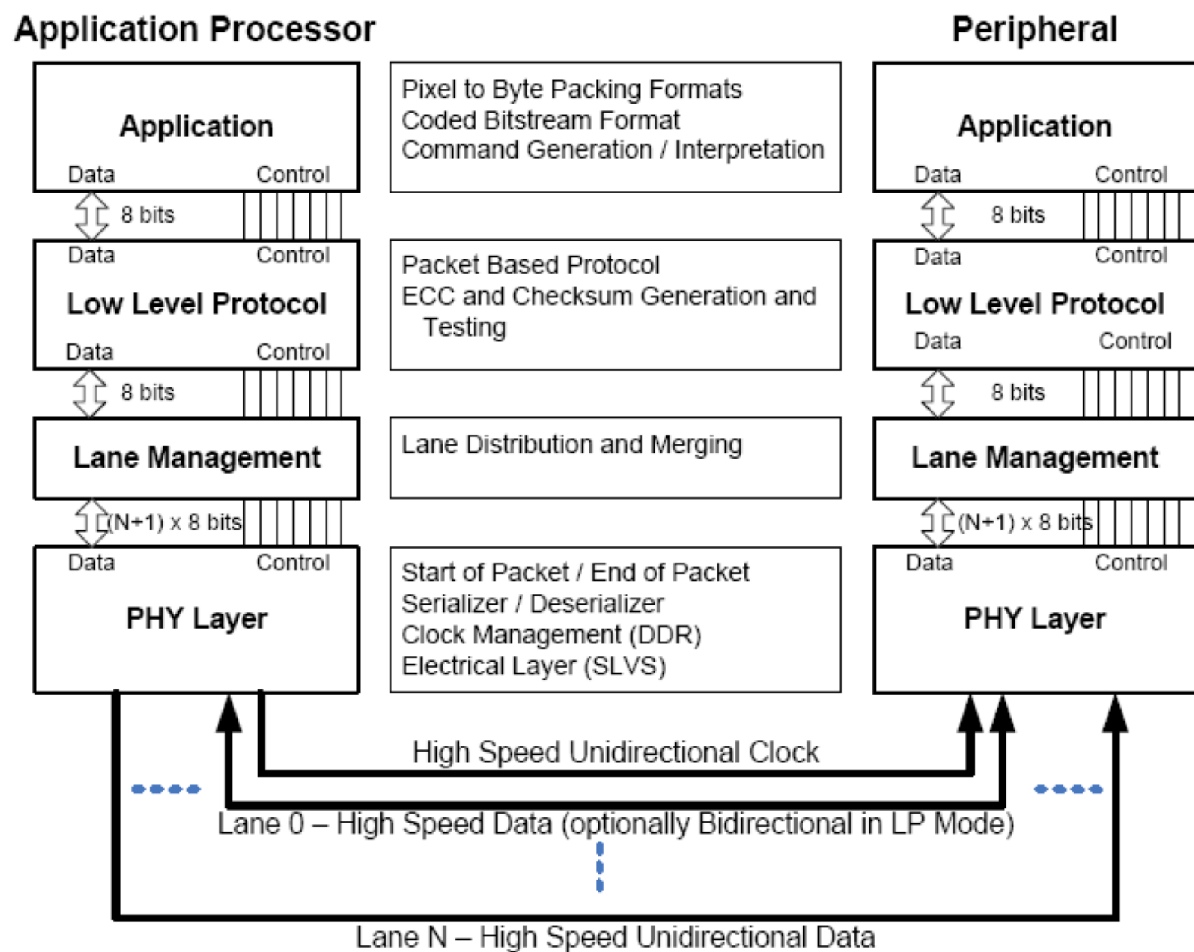
**Figure 46. Display Serial Interface Bus with DSI Devices**

The DSI module is configured to specify the interface and provide a connect between the MCU and a peripheral such as a display module. It is built on existing MIPI Alliance standards by adopting pixel formats, controlling pins and a command set specified in DBI-2 and DCS standards.



The D-PHY's data lane signals are transferred point-to-point as differential signals using two signal lanes and a clock lane. There are two signaling modes: high speed mode that operates at a rate of 500 Mbps and a low power mode (LP) that operates at a lower transfer rate of 10 Mbps. The mode is set to a low power mode and a stop state at start up / power up. Depending on the desired data transfer type, the lanes switch between high and low power modes. High speed data transfer is unidirectional and data transfer at low speed can be unidirectional or bidirectional.

DSI devices operate in a layered fashion. There are 4 layers identified both at receiver and transmitter ends. Figure 47 shows the layers in the DSI data transfer model.



**Figure 47. Layers in the DSI Data Transfer Model**

**PHY Layer:** An embedded electrical layer that sends and detects start-of-packet and end-of-packet signaling on the data lanes. It has a serializer and de-serializer unit to dialogue with the PPI / lane management unit. It also has clock divider unit to source and receive clock during different modes of operation.

**PPI / Lane Management Unit:** This layer does the lane buffering and distributes the data in the lanes as programmed in a round robin manner and also merges them to stream line to the LLP/ PLI unit.

**PLI / Low Level Protocol Unit:** This layer packetizes as well as de-packetizes the data with respect to channels, frames, colors and line formats. There is an ECC generator and corrector unit to recover the data free from errors in the packet headers. It has a CRC checker or CRC generator unit to pack the payload data with CRC checksum bits for payload data protections.

**Application:** This layer describes higher-level encoding and interpretation of data contained in the data stream. Depending on the display subsystem architecture, it may consist of pixels having a prescribed format, or of commands that are interpreted by the display controller inside a display module.

## 22.3 Hardware Design Guidelines

The following sub-sections provide design guidelines for the use of the Apollo4's DSI PHY. Also, please consult the DSI section of the Electricals for voltage, power and timing requirements of the PHY.

### 22.3.1 System Power Sequencing for DSI TX Interface

The power sequence for the DSI TX interface is contingent on the PHY(s) used in the system. The sections below address the proper sequences which include powering VDD18 only or with VDDUSB33 (3.3 V) and VDDUSB0P9 (0.9 V) supplies, and cover the cases for DSI TX Interface (D-PHY) only, and both USB PHY and D-PHY in the system.

Refer to the DSI PHY section in the Electricals for supply voltage specifications.

#### 22.3.1.1 DSI PHY Only

##### 22.3.1.1.1 Power Tree

The recommended power tree for this configuration is as follows:

1. VDD18 is powered by LDO rails with output discharge and ON/OFF control over I<sup>2</sup>C or GPIO.

The following power-on (default) state is allowed: VDD18 is OFF

#### NOTE

On Apollo4 and Apollo4 Blue, powering VDD18 without powering the DSI TX/D-PHY internal power rails results in uncontrolled current leakage to VDD18 and may lead to long-term reliability issues. This uncontrolled current leakage to VDD18 has been resolved in Apollo4 Plus and therefore turning power on and off to VDD18 in the following sequences is not needed.

##### 22.3.1.1.2 DSI TX Initialization Sequence

The sequence below assumes that the SoC is powered on. During booting to the application, the following actions should be performed.

1. Enable power to DSI TX and D-PHY (VDDF\_DSIPHY\_SW).
2. Holding D-PHY in reset, enable power to the external VDD18 rail.
3. Configure DSI TX to desired mode.

For power saving put DSI TX to ULPS state during periods of inactivity, as D-PHY in LP STOP mode consumes high power from the VDD18 rail (~2.5mA). DPHY's bias, LDOs and PLL blocks can be disabled through trim registers upon ULPS PHY entry:

- DSI->AFETRIM3 |= 0x00038000; //
- DSI->AFETRIM2 |= 0x0000001C; //

##### 22.3.1.1.3 DSI TX Shutdown Sequence

On terminating DSI TX / D-PHY operation, the SoC should follow the below shut-down sequence:

1. Disable power to the external VDD18 rail.
2. Disable power to D-PHY (VDDF\_DISPHY\_SW).

### **22.3.1.2 USB and DSI PHYs**

Follow the system power sequencing recommendations for the devices utilizing both DSI and USB interfaces in section “USB and DSI PHYs” on page 145.

## **22.4 Additional Information**

Please consult the Apollo4 Family Programmer’s Guide for additional information about DSI Module operations.

### 23. PDM-to-PCM Converter Module (PDM)

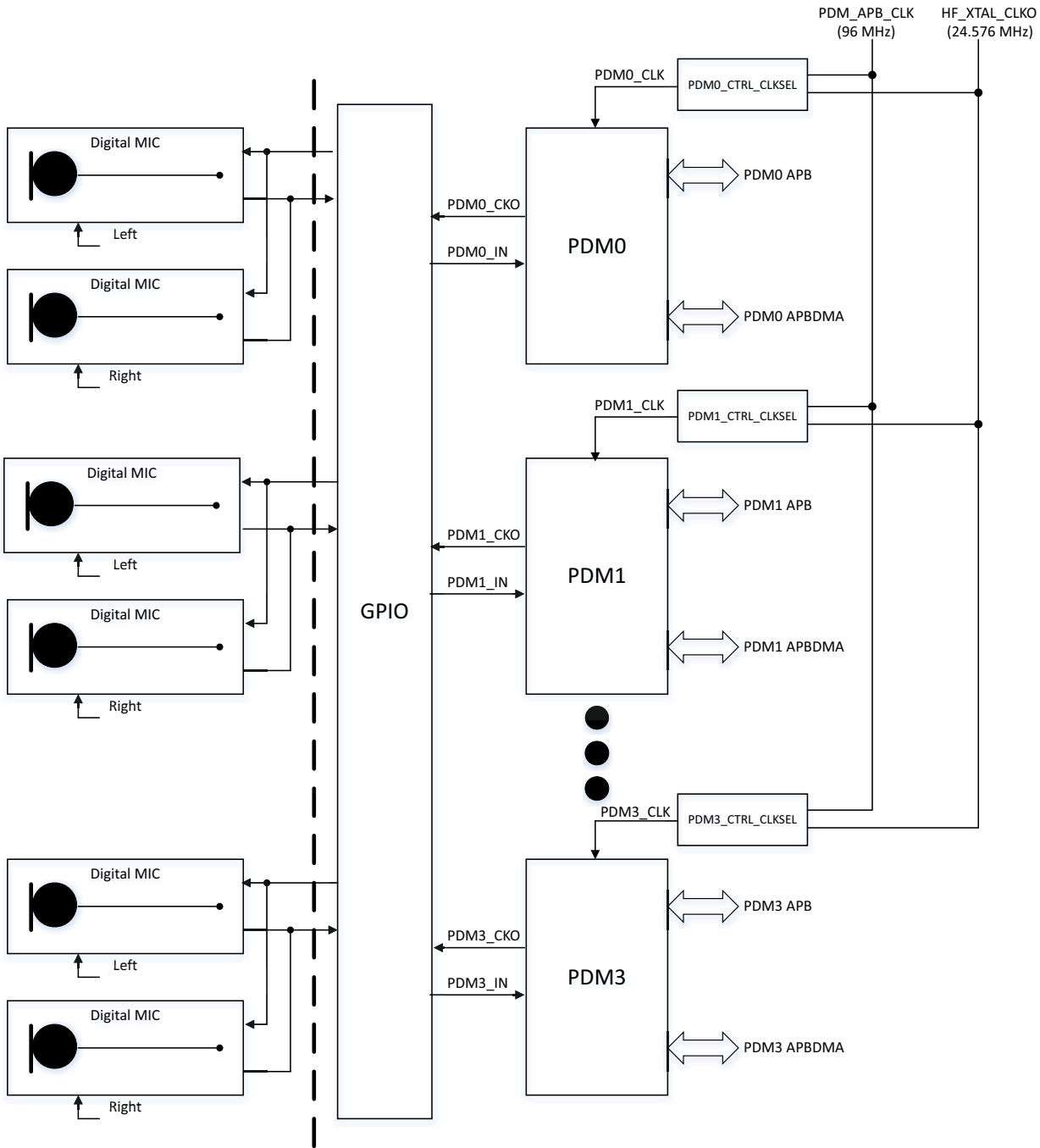
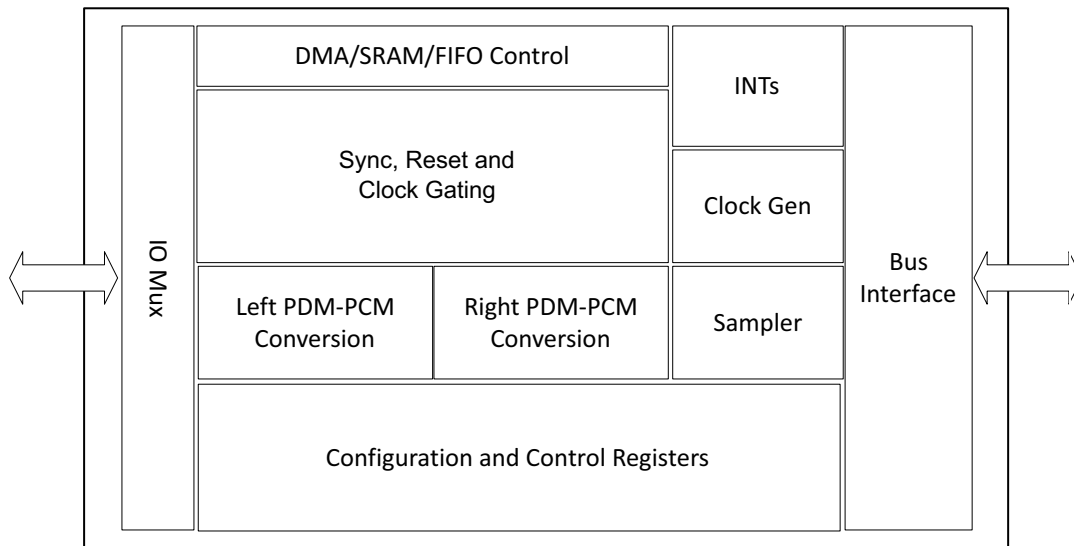


Figure 48. PDM Instances within Audio Subsystem (4 PDMs Shown)



**Figure 49. PDM Block Diagram**

## 23.1 Features

The Pulse Density Modulation (PDM) to Pulse Code Modulation (PCM) Converter Module, referred to throughout as PDM, features a low power stereo/mono PDM-to-PCM converter with register programming. It is targeted for digital microphone voice/audio recording applications.

The module operates in dual mode (stereo or mono). In stereo mode, the PDM converts 1-bit stereo pulse-density modulated (PDM) bit stream data from external digital microphones into 24-bit pulse-code modulated (PCM) data for base-band processing. In default operation, the PDM data sampled on the rising-edge of digital microphone clock is assumed to be left channel input, while data on the falling-edge is assumed to be right channel input. Optional channel swap is available through register setting. In mono mode, only the left channel PCM output is valid while the right channel output is zero (no toggling).

The PDM-to-PCM converter supports data sampling rate at 16 kHz in default setting for voice application. It is capable of supporting output sampling rates ( $F_s$ ) at 8, 16, 48, 96 kHz and up to 192 kHz at different master clock conditions. After input sampling, the PDM data bits are fed into digital filters for data conversion and gain amplification.

The PDM module provides the following features:

- Support Stereo/Mono Dual Mode PDM-to-PCM Conversion
- 1-bit PDM (pulse-density modulated) input for up to 4 pairs of microphone outputs
- 24-bit PCM conversion/output at up to 192 kHz sample rate
- Support Digital Microphone Clock at 512 kHz, 1.024 MHz, 2.048 MHz, 2.45 MHz, 3.072 MHz
- PCM Sampling Rate: 8 kHz, 16 kHz, 32 kHz, 48 kHz, 96 kHz, 192 kHz
- PGA Gain: -12dB - +34.5dB gain with 1.5dB/Step
- High Performance Mode
  - 110dB SNR, BW=20 kHz (A-weighted)
  - -105dB THD+N, BW=20 kHz (A-weighted)
- Mid Performance
  - 107dB SNR, BW=6.7 kHz (A-weighted)
  - -101dB THD+N, BW=6.7 kHz (A-weighted)
- Reduced Performance mode
  - 88dB SNR, BW=6.7 kHz (A-weighted)

- -83dB THD+N, BW=6.7 kHz (A-weighted)
- Power Down Mode support

## NOTE

The lack of a circular buffer implemented in hardware for the audio modules PDM, I2S and AUDADC (if present) means that such a buffer must be implemented in software which will result in a higher level of CPU intervention.

## 23.2 Functional Overview

The Apollo4 Plus SoC integrates a PDM-to-PCM Converter module designed for digital voice applications. The conversion path contains front-end left/right channel data sampling, digital filters and PGA gains for each channel. The digital filters convert single bit PDM data into 24-bit PCM data. The streamed data volume can be programmed through internal registers.

Please refer to the PDM registers of the Apollo4 Plus SoC register set. The register set for this SoC is delivered as part of the AmbiqSuite SDK. Also available and should be referenced and understood are the Apollo4 Family Programmer's Guide and the Errata List document specific to this Apollo4 family member.

## 23.3 PDM-to-PCM Converter Clocking Mechanism

Table 16 below shows the PDM bit data sampling clock (PDMA\_CKO) as a function of  $F_S$  and OSR for the various operating modes, at a PDM\_CLK of 24.576 MHz.

**Table 16: PDMA\_CKO and OSR Settings for Different Sampling Frequencies**

| OPERATING MODE           | $F_{PDMA\_CKO}$ (MHz) | $F_S$ (kHz) | OSR | DIVMCLKQ [1:0] | MCLKDIV [3:0] | SINCRATE [6:0] | SINAD (dB) | DR (dB) |
|--------------------------|-----------------------|-------------|-----|----------------|---------------|----------------|------------|---------|
| High Performance Mode    | 6.144                 | 96          | 64  | 1              | 1             | 32             | 103        | 110.8   |
|                          | 3.072                 | 48          | 64  | 1              | 3             | 32             | 105.5      | 108.7   |
|                          | 3.072                 | 24          | 128 | 1              | 3             | 64             | 122.8      | 120.9   |
|                          | 3.072                 | 16          | 192 | 1              | 3             | 96             | 116.1      | 120.4   |
|                          | 1.536                 | 16          | 96  | 1              | 7             | 48             | 115.4      | 120.5   |
| Reduced Performance Mode | 3.072                 | 96          | 32  | 1              | 3             | 16             | 86         | 87.9    |
|                          | 1.536                 | 48          | 32  | 1              | 7             | 16             | 83.2       | 88.8    |
|                          | 0.768                 | 16          | 48  | 1              | 15            | 24             | 89.7       | 97.2    |
| Mid Performance Mode     | 1.536                 | 24          | 64  | 1              | 7             | 32             | 101        | 107.6   |
|                          | 1.024                 | 16          | 64  | 1              | 11            | 32             | 100        | 106.8   |

Notes:

1. Assumes PDM\_CLK of 24.576 MHz.

2. The above frequency combinations are recommended values, where **DIVMCLKQ = 2'b01**. User may determine other proper values according to actual master clock rate and digital microphones implemented in system design.
3. **SINAD** means ratio of signal to noise plus the first N harmonics of THD.
4. **DR** means dynamic range, which is measured as SINAD - (-60dB) in this table.

The module's master input clock (PDM\_CLK) is generated by the SoC clock generator. The PDM bit data sampling clock for external digital microphones (PDMA\_CKO) and the filters' internal operating clocks is generated internally by the module. The relationship between PDMA\_CKO, the master clock, PDM\_CLK, and the sampling frequency  $F_S$  is as shown below. The PDMA\_CKO clock may be delayed by setting register PDMCKO\_DLY for a clock phase shift during bit data sampling.

The PDM input clock is divided down by DIV\_MCLKQ to generate the internal clock for the PGA and PDM-to\_PCM converters, MCLKQ, as:

$$F_{MCLKQ} = F_{PDM\_CLK} / (DIV\_MCLKQ + 1)$$

where the clock gating to left and right channels is:

$$F_{MCLK\_L} = F_{MCLK\_R} = F_{MCLKQ}$$

The resulting PDMA\_CKO frequency can be set as:

$$F_{PDMA\_CKO} = F_{MCLK\_L} / (MCLKDIV+1) = F_S \times 2 \times SINCRATE$$

**NOTE**

Sinc decimation rate, CORECFG0\_SINCRATE, must be set to a value within the range of 16-64, or to 96.

and if the frame rate, also known as the baseband sampling frequency,  $F_S = 16$  Ks/s and the decimation rate setting (SINCRATE) is set to 16, then:

$$F_{PDMA\_CKO} = 16 \text{ Ks/s} \times 2 \times 16 = 512 \text{ kHz}$$

The oversampling rate, OSR, or decimation rate, then becomes:

$$OSR = F_{PDMA\_CKO} / F_S = 2 \times SINCRATE$$

and

$$F_{MCLK\_L} = F_{MCLK\_R} = F_S \times 2 \times SINCRATE \times (MCLKDIV+1)$$

NOTE

Regarding the default selection of the HFRC2 to clock the PDM module, there is the possibility of an asynchronous shutdown of the HFRC2 clock divider by the internal hardware, causing a glitch when the requesting peripheral stops requesting the HFRC2.

The HFRC2 must be forced on not only when HFRC2 is being selected and while being used as the clock source but also whenever the clock source is being changed regardless of the new clock source being selected.

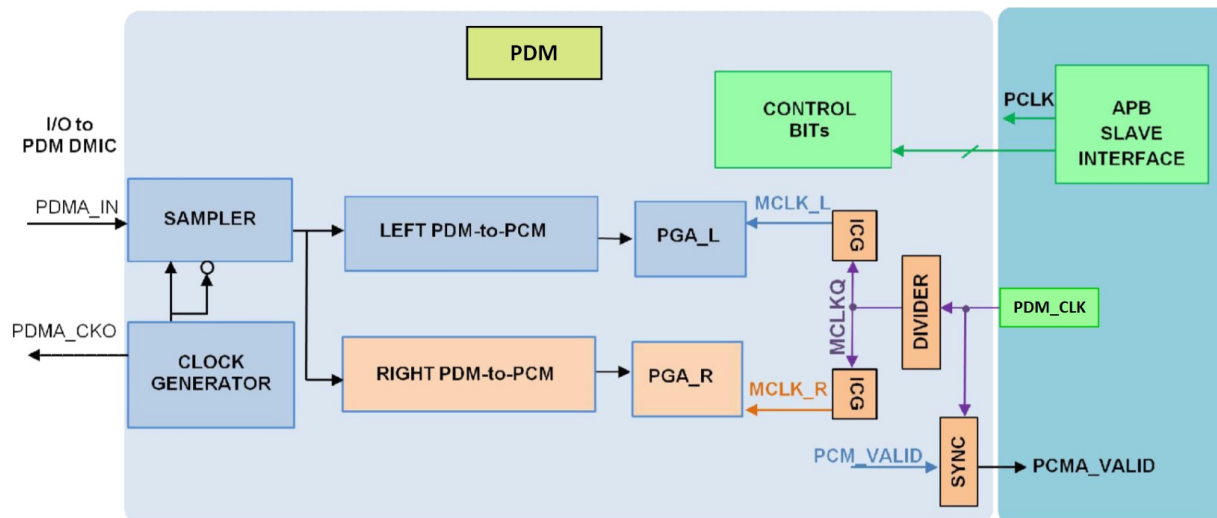
The HFRC2 is forced on by setting the CLKGEN\_MISC\_FRCHFRC2 bit. The sequence for changing the clock source regardless of clock selection is to first force HFRC2 on by setting the CLKGEN\_MISC\_FRCHFRC2 bit, select the clock source for the module, clear the CLKGEN\_MISC\_FRCHFRC2 bit only if HFRC2 is NOT selected, and then engage the peripheral.

If HFRC2 is the clock source, then shutting the module down cleanly requires switching to HFRC, for example, and then disabling the HFRC2 by clearing the CLKGEN\_MISC\_FRCHFRC2 bit.

**23.3.1 Clock Gating and Data Synchronization**

For low power implementation, PDM\_CLK is sourced from the MCU and divided down internally for each conversion channel with clock gating. Figure 50 shows the clock tree and internal synchronization from PDM\_CLK clock domain to the MCLKQ clock domain. The DIVIDER block is user-controlled by the DIVMCLKQ register field to generate MCLKQ, which in turn is divided by MCLKDIV and fed to the CLOCK GENERATOR block to generate PDMA\_CKO.

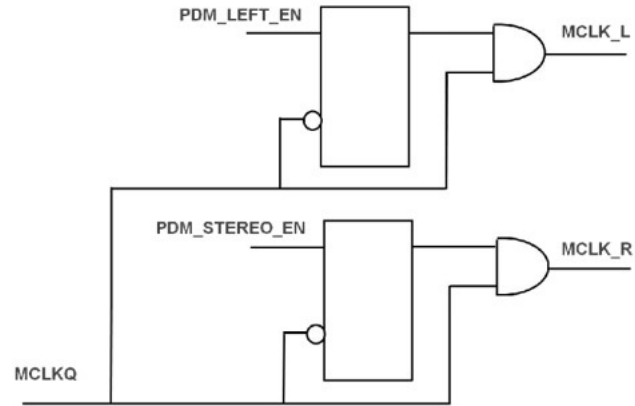
MCLK\_L is always on in both mono and stereo mode. That is, in mono right-channel operation, it actually uses the left channel of PDM-to-PCM core conversion for recording conversion process. LRSWAP must be set to “1” in mono right mode operation, and “0” in mono left mode operation. Please also refer to “Operating Mode” Section for more detail description.





**Figure 50. Clock Path and Data Synchronization Diagram**

Figure 51 illustrates the clock gating scheme for MCLK\_L and MCLK\_R internal master clocks through the ICG (integrated clock gating) cells. PDM\_LEFT\_EN and PDM\_STEREO\_EN signals are controlled by the setting of the CORECFG1\_PCMCHSET field.

**Figure 51. PDM Converter Core Local Clock Gating**

## 23.4 Additional Information

Please consult the Apollo4 Family Programmer's Guide for additional information about PDM-to-PCM Converter Module operations, where the following topics are covered:

- Operating Modes
- Digital Volume Control and Soft Mute
- Low pass and high pass filters

## 24. Low Power Analog Audio Interface

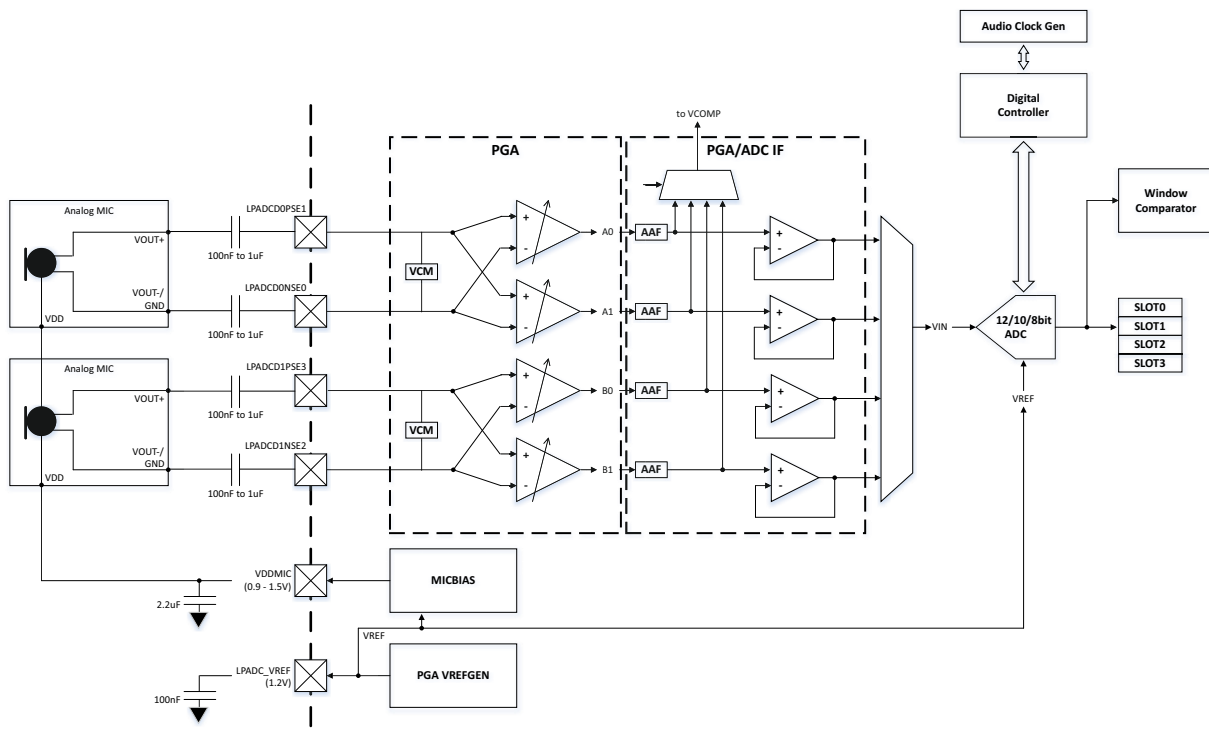


Figure 52. Low Power Analog Audio Block Diagram

### 24.1 Features

The Low Power Analog Audio Interface is comprised of 4 channels of Programmable Gain Amplifiers (PGAs), 12-bit 4-channel Audio ADC (AUDADC), and 1 low power microphone bias (MICBIAS) as shown in Figure 52.

Key features of the PGAs include:

- Programmable gain for AC-coupled audio inputs (20 Hz - 20 kHz) to drive AUDADC
- Audio inputs may be microphone or line inputs
  - Single Ended (SD)
  - Pseudo Differential (PD)
  - Fully Differential (FD)
- Full Scale Voltage
  - SE/PD:  $0.5 V_{rms}$
  - FD:  $1 V_{rms}$
- Gain steps supported: 0-24 dB in 0.5 dB increments
- Set input common-mode for active and sleep mode operation
- Implicit 2/3 attenuation to fit 1.2 V ADC full scale

Key features of the AUDADC include:

- Reconfigurable Successive Approximation Register (SAR) ADC
- 4 dedicated single-ended input channels from four PGA sources
- Input Range: 0 V to 1.2 V
- Configurable automatic low power control between scans
- Configurable for 12 / 10 / 8 bit ADC Precision Modes
- Configurable sampling time
- Uses 1.2 V external reference with internal buffer
- Single shot, repeating single shot, scan, and repeating scan modes
- Variable sample tracking time, configurable on per-slot basis
- User-selectable clock source for variable sampling rates
- Automatically accumulate and scale module for hardware averaging of samples
- 16-entry FIFO and DMA capability for storing measurement results and maximizing SoC sleep time
- Multiple Interrupt Support:
  - FIFO full
  - FIFO almost full
  - Scan Complete
  - Conversion Complete
  - Window Incursion
  - Window Excursion
  - Various DMA-related notifications
- Window comparator for monitoring voltages excursions into or out of user-selectable thresholds
  - Unsigned mode support ONLY
- Supports signed data mode by way of AUDADC\_ADCCFG\_DATAFMT
- Settable sampling/tracking time per-slot
- ADC-internal trigger timer providing low-jitter periodic repeated triggers
- Additional delays configurable via ADC registers

Key features of MICBIAS include:

- MICBIAS provides user-programmable regulated (0.9 V to 1.5 V) supply to analog MEMS microphones
- Performance Summary:
  - 200  $\mu$ A max load current with 2.2  $\mu$ F capacitor
  - 560 nA quiescent current
  - Typical PSR (from VDDAUD)
    - 34 dB @ 1 kHz
    - 15 dB @ 20 kHz
    - Startup < 1 ms

## 24.2 Functional Overview

The Apollo4 Plus SoC integrates a sophisticated 12-bit successive approximation Analog to Digital Converter (ADC) block for sensing both internal and external voltages. The Audio ADC provides four separately managed conversion requests, called slots which are serially sequenced. The result of each conversion request is delivered to a 16-deep FIFO. Firmware can utilize various interrupt notifications to determine when to collect the sampled data from the FIFO or from a buffer written by DMA. This block is extremely effective at automatically managing its power states and its clock sources.

Please refer to the Audio ADC registers of the Apollo4 Plus SoC register set. The register set for this SoC is delivered as part of the AmbiqSuite SDK. Also available and should be referenced and understood are the Apollo4 Family Programmer's Guide and the Errata List document specific to this Apollo4 family member.

## NOTE

The lack of a circular buffer implemented in hardware for the audio modules PDM, I2S and AUDADC (if present) means that such a buffer must be implemented in software which will result in a higher level of CPU intervention.

**24.2.1 Clock Source and Dividers**

The Audio ADC runs off of the HFRC, HFRC2 or a 24.576 MHz crystal clock source. When the Audio ADC block is enabled and has an active scan in progress, it requests a clock source. There is an automatic hardware hand shake between the clock generator and the Audio ADC. If the Audio ADC is the only block requesting an HFRC based clock, then the HFRC will be automatically started. The Audio ADC can be configured to completely power down the HFRC between scans if the startup latency is acceptable or it can leave the HFRC powered on between scans if the application requires low latency between successive conversions. The Audio ADC supports a HFRC clock frequency of 48 MHz, a HFRC2 clock frequencies of 48 MHz, or a nominal 24.567 MHz from a XTALHS crystal.

## NOTE

Regarding the selection of HFRC2 to clock the Audio ADC module, there is the possibility of the asynchronous shutdown of the HFRC2 clock divider causing a glitch when the requesting peripheral stops requesting the HFRC2 and allows it to be shut down. The HFRC2 must be forced on when it is to be used such that it does not get powered down by the internal hardware.

The HFRC2 is forced on by setting the CLKGEN\_MISC\_FRCHFRC2 bit. The sequence for selecting the HFRC2 as the clock source is to first force FRCHFRC2 bit on, then switch clock sources, and finally engage the peripheral.

If HFRC2 is the clock source, then shutting the module down cleanly requires switching to HFRC, for example, and then disabling the HFRC2 by clearing the CLKGEN\_MISC\_FRCHFRC2 bit.

Also, if HFRC2 is used for the Audio ADC clock source, low-jitter samples are needed which means using the Audio ADC's internal trigger timer. This in turn requires the clock to be running while sampling is enabled.

**24.2.2 4 Channel Analog Mux**

As shown in Figure 52, the Audio ADC block contains a 4-channel analog multiplexer on the input port to the analog to digital converter. The analog mux channels are connected as follows:

1. Analog IN or Mic A PGA channel 0 (PGA\_A0)
2. Analog IN or Mic A PGA channel 1 (PGA\_A1)
3. Analog IN or Mic B PGA channel 0 (PGA\_B0)
4. Analog IN or Mic B PGA channel 1 (PGA\_B1)

Refer to the detailed register information below for the exact coding of the channel selection bit field for each slot.

**24.2.3 Voltage Reference Source**

The Apollo4 Plus SoC's Audio ADC 1.2 V voltage reference is internally generated and filtered from the LPADC\_VREF pad using a 100 nF capacitor.



### 24.2.7 Window Comparator

A window comparator is provided which can generate an interrupt whenever a sample is determined to be inside the window limits or outside the window limits. These are two separate interrupts with separate interrupt enables. Thus one can request an interrupt any time a specified slot makes an excursion outside the window comparator limits.

The window comparison function has an option for comparing the contents of the limits registers directly with the FIFO data (default) or for scaling the limits register depending on the precision mode selected for the slots.

#### NOTE

Currently the only supported ADC data format is unsigned binary format, which is the default setting for the AUDADC's CFG\_DATAFMT field.

## 24.3 Interrupts

The Audio ADC has 8 interrupt status bits with corresponding interrupt enable bits, as follows:

1. Conversion Complete Interrupt
2. Scan Complete Interrupt
3. FIFO Overflow Level 1
4. FIFO Overflow Level 2
5. Window Comparator Excursion Interrupt (a.k.a. outside interrupt)
6. Window Comparator Incursion Interrupt (a.k.a. inside interrupt)
7. DMA Complete (DCMP)
8. DMA Error (DERR)
9. DMA transfer complete
10. DMA error condition

## 24.4 Microphone Biasing

The Apollo4 MICBIAS circuit can be trimmed with a 6-bit trim code programmed in MCUCTRL\_AUDIO1\_MICBIASVOLTGETRIM and MCUCTRL\_AUDIO2\_MICBIASVOLTGETRIM. Relationship between trim values and resulting VDDMIC are as shown in Figure 53. The relationship between VDDMIC voltage and trim code is approximately described by the following formula:

$$\text{VDDMIC} = (0.012481\text{V} * \text{MICBIASVOLTGETRIM}[5:0]) + 0.827913\text{V}$$

#### NOTE

MICBIAS is powered by the VDDAUDA rail (1.8 V ± 10%). Microphones that need 1.62 V or greater (up to 1.98 V) can be supplied directly using VDDAUDA. A MICBIAS bypass mode is active when MICBIASVOLTGETRIM[5:0] is set to 0x3F. This mode enables a bypass to MICBIAS so that it can output VDDAUDA voltage, which allows the MICBIAS circuit to act as a load-switch for analog mics requiring voltage > 1.5 V.

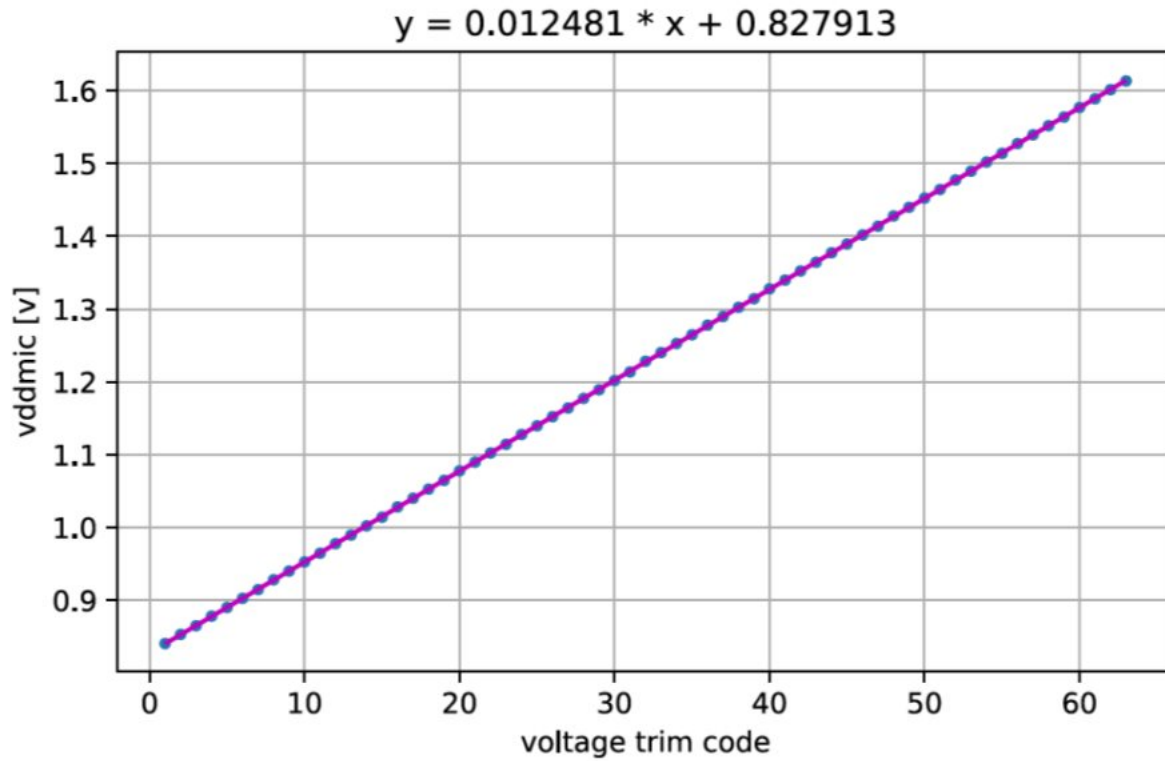


Figure 53. Mic Bias Trim Graph

## 24.5 Additional Information

Please consult the Apollo4 Family Programmer's Guide for additional information about Audio ADC Module operations.

## 25. Inter-IC Sound (I<sup>2</sup>S)

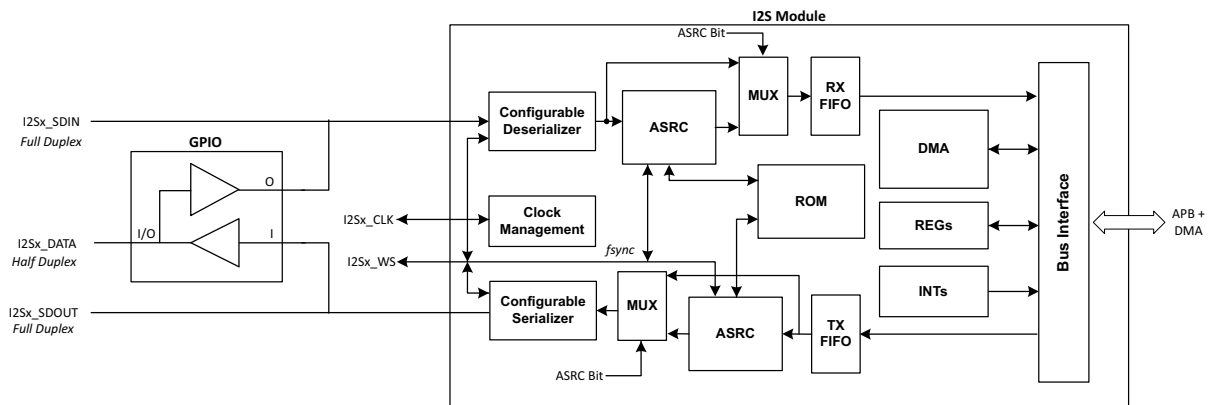


Figure 54. I<sup>2</sup>S Block Diagram

### 25.1 Features

The I<sup>2</sup>S module provides the following features:

- Inter-IC audio streaming interface
- Modes
  - I<sup>2</sup>S Philips mode
  - I<sup>2</sup>S right-justified and left-justified serial audio format modes
  - TDM mode
- Supported sample rates include 8, 11.025, 16, 22.05, 32, 44.1, 48, 96 and 192 kHz
- Audio sample sizes of 8, 16, 24 and 32 bit
  - I<sup>2</sup>S always sends 32 bits per channel
  - TDM has tremendous flexibility for framing and bit width
- 2 instances (IPB0/IPB1) of full-duplex I<sup>2</sup>S (stereo TX + stereo RX) using shared CLK & FS
- Master and slave
- Optional Asynchronous Sample Rate Conversion (ASRC) on slave I<sup>2</sup>S channels
  - 2-channel audio sample rate converter
  - Sample size: 24 bits (for internal processing, but accepts 8, 16, 24 or 32 bits)
  - Lower than -130 dB THD+N for common conversion ratios (when using 24-bit or 32-bit samples)
  - Minimum input clock frequency:  $FS_{in}$
  - Minimum output clock frequency:  $FS_{out}$
  - Extremely fast synchronization time with the input audio stream:  $128 / FS_{in}$
  - Latency:  $(FIFO\_SIZE / (2FS_{in})) + (2 / FS_{out})$
  - Automatically adjusts to changes in both input and output sample rates
  - High input jitter tolerance: supports occasional bursts or skips of a couple of samples without sacrificing quality in practical terms
  - Input sample rate range: 8 kHz to 192 kHz
  - Output sample rate range: 8 kHz to 192 kHz
  - Maximum down conversion of 3.9:1
  - Maximum up conversion of 1:7



- Fixed FSYNC:SCLK ratio of 64:1 required
- 1 to 8 Channel TDM interface

**NOTE**

Sharing the TDM bus between/among multiple peripherals is not supported.

**NOTE**

The lack of a circular buffer implemented in hardware for the audio modules PDM, I2S and AUDADC (if present) means that such a buffer must be implemented in software which will result in a higher level of CPU intervention.

**NOTE**

Due to erratum ERR075, I2S Master DMA does not work after entering deep sleep. There is no problem when entering normal sleep. Applications should keep from entering deep sleep when I2S is powered up and expected to operate.

## 25.2 Functional Overview

The I<sup>2</sup>S interface module provides the capture and transmit capability of I<sup>2</sup>S digital audio data in a variety of formats and data rates, as well as an asynchronous sample rate conversion function for input or output data streams. It is a slave device which must be programmed by the MCU to function. There are 2 independent instances of the I<sup>2</sup>S module on the Apollo4 Plus SoC. Each I<sup>2</sup>S instance can support master or slave operation and full or half duplex operation.

Various modes and sample rates are supported to provide flexible audio data processing. DMA is supported to enable efficient transfer of data to/from SRAM. The I<sup>2</sup>S modules are powered via VDDH or VDDH2, and the modules must be activated through the PWREN<sub>I2Sn</sub> field of the PWRCTRL\_AUDSSPWREN power control register prior to accessing any registers within the modules. To access external devices, the GPIO module must also be programmed to allow the I<sup>2</sup>S signals to propagate through the selected pins of the device. There is a variety of clock sources that can be used to control the transmit and receive ports, and the module can operate in clock master or slave mode, regardless of the direction of data flow.

Each module contains 2 major sections. One section consists of the interface logic control portion and second section contains the I<sup>2</sup>S audio processing portion. The interface logic provides register and high level clock, data and interrupt control for the I<sup>2</sup>S module. DMA capabilities are provided for TX, RX or full duplex RX/TX modes.

Please refer to the I<sup>2</sup>S block diagram in Figure 54. Each controller supports configurable Asynchronous Sample Rate Converters, each capable of supporting stereo transmit and/or receive when configured as slave device. ASRC RX and ASRC TX perform 24-bit asynchronous sample rate conversions sharing the same ROM.

The Configurable Deserializer can be configured to convert the different possible formats of the incoming serial audio stream to a parallel interface. If the Receive FIFO is full, the newly arrived samples are

dropped until there is space in the FIFO. The Configurable Deserializer should be reset before a stable serial audio signal is present at the input.

The Configurable Serializer reads the audio samples from the Transmit FIFO and converts the parallel audio stream interface to the desired output format. If the FIFO is empty, this module can be configured to repeat the last sample present in the FIFO or transmit zeros.

### **25.3 Additional Information**

Please consult the Apollo4 Family Programmer's Guide for additional information about I<sup>2</sup>S Module operations.

## 26. Voltage Comparator (VCOMP)

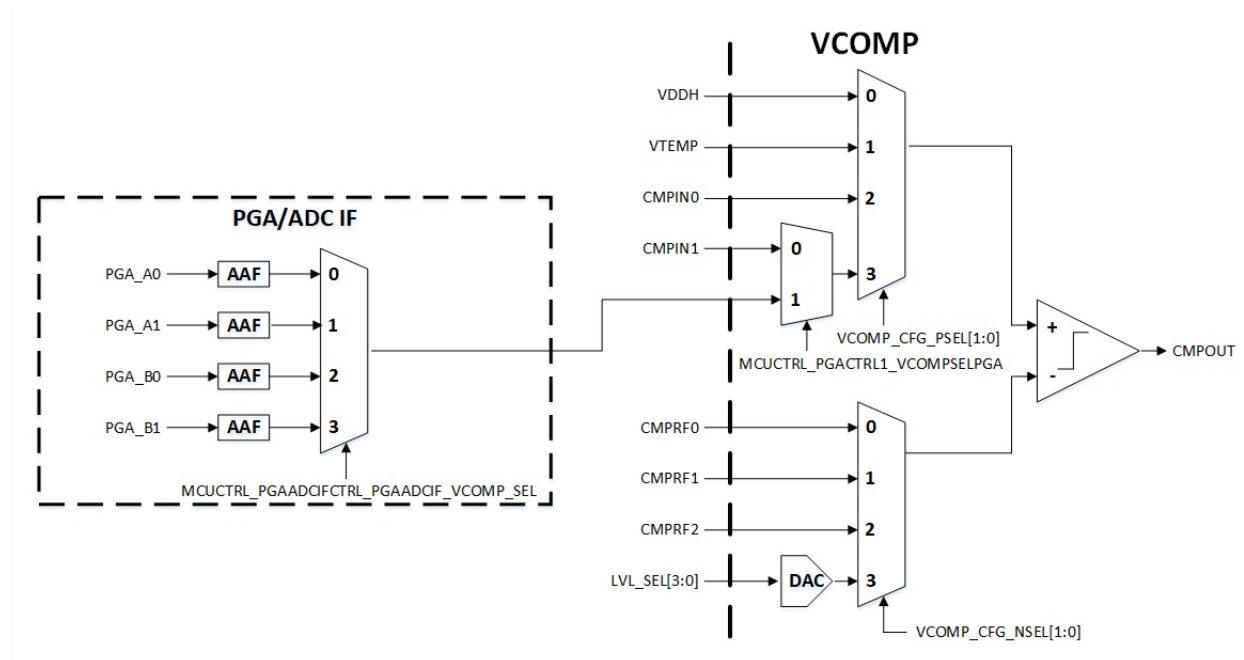


Figure 55. Block diagram for the Voltage Comparator Module

### 26.1 Functional Overview

The Voltage Comparator Module, shown in Figure 55, measures a user-selectable voltage at all times. It provides interrupt and software access to the comparator output with multiple options for input and reference voltages. It can be configured to generate an interrupt when the monitored voltage rises above a user-configurable threshold or when the monitored voltage drops below a user-configurable threshold.

The voltage to be monitored is selected by programming the comparator's positive terminal signal, PSEL[1:0], and may be any of:

1. The supply voltage (VDDH)
2. The PTAT voltage from the temperature sensor (VTEMP)
3. External voltage channel 1 (CMPIN0)
4. External voltage channel 2 (CMPIN1)

The reference voltage is selected by programming the comparator's negative terminal, NSEL[1:0] and may be any of:

1. Three external voltage channels (CMPRF0, CMPRF1 or CMPRF2)
2. The internally generated reference (DAC output selected by LVLSEL)

The internal reference voltage is tuned using an on-chip DAC with level select signal LVLSEL[3:0]. When using external inputs or reference inputs, the associated pads must be configured using the GPIO function selects explained in the GPIO document section.

The Voltage Comparator CMPOUT output will remain high while the voltage at the positive input is above the voltage at reference input. The CMPOUT output will transition low when the voltage at the positive input to the comparator falls below the reference input taking into account hysteresis. The CMPOUT output is directly accessible by software by reading the CMPOUT field in the status register. The OUTHI interrupt

will be set if enabled and the CMPOUT transitions high or if it is high at the time the interrupt is enabled. Similarly, the OUTLOW interrupt will be set if enabled and the CMPOUT output transitions low or if it is low at the time the interrupt is enabled.

Please refer to the VCOMP registers of the Apollo4 Plus SoC register set. The register set for this SoC is delivered as part of the AmbiqSuite SDK. Also available and should be referenced and understood are the Apollo4 Family Programmer's Guide and the Errata List document specific to this Apollo4 family member.

## 27. Voltage Regulator Module

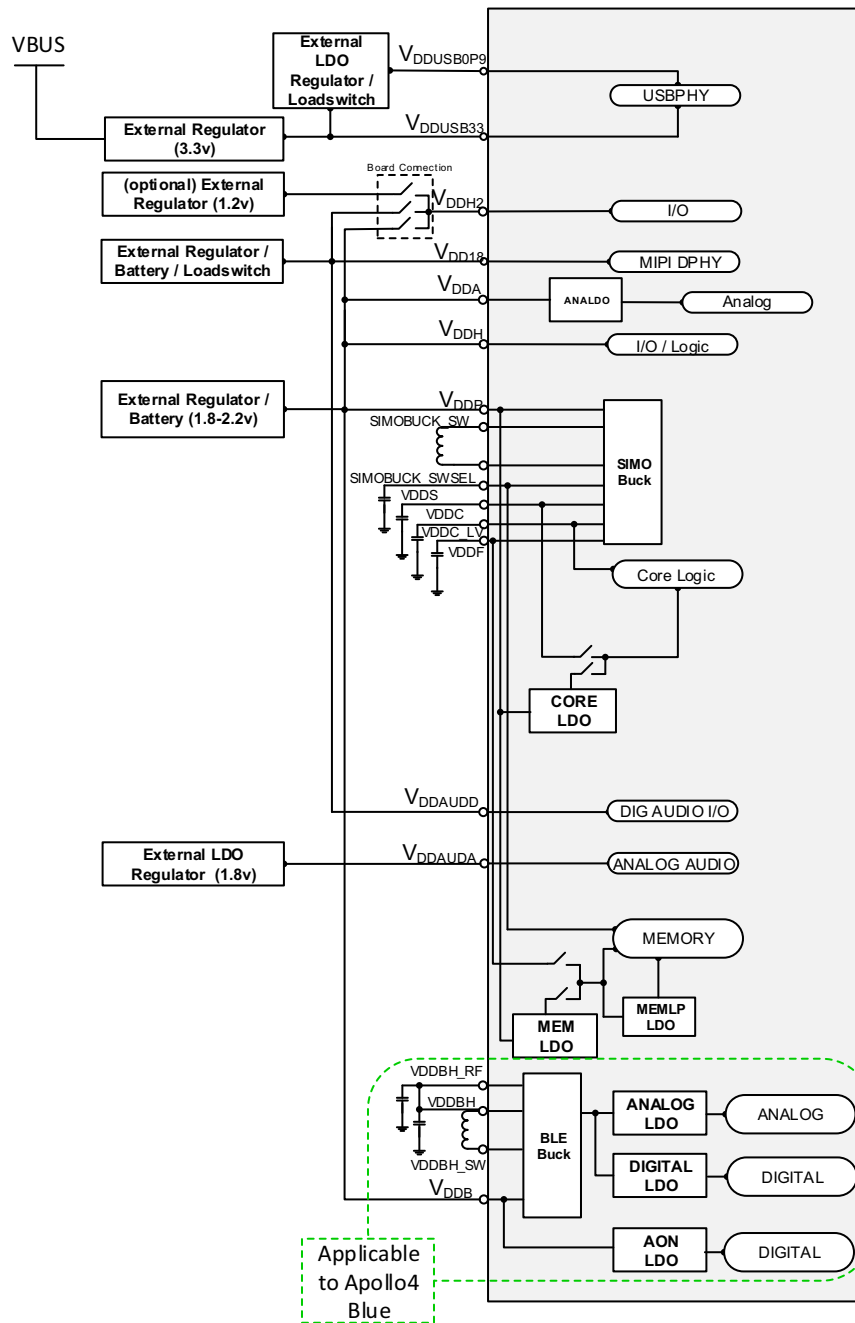


Figure 56. Block Diagram for Voltage Supplies and Regulation on Apollo4 Family

## 27.1 Functional Overview

The Voltage Regulator Module down-converts and regulates the supply voltage, VDD, with extremely high efficiency. A Buck Converter enables down-conversion from the power supply input (e.g., a battery or external regulator) at efficiency of > 80%. With ultra-low quiescent current, the Buck Converter is optimized for low power environments. There is also an integrated low dropout linear regulator (LDO) which is used in very low power modes and can also be utilized to provide a lower cost system solution by eliminating the need for the external inductor required in buck mode. The VDDC and VDDF capacitors are still required for the internal LDO.

The Buck Converter and LDO of the Voltage Regulator Module are tightly coupled to the various low power modes in the Apollo4 Plus SoC. When the device enters deep sleep mode, the Buck Converter switches into a low power mode to provide very high efficiency at low quiescent current.

### NOTE

The use of Internal LDO Mode is restricted to only Low Power (LP) Mode. SIMO Buck Mode must be used if using High Performance (HP) Mode.

## 27.2 SIMO Buck

The SIMO buck sources the primary supplies for the core and memory domains. This buck is a very high efficiency, single-inductor/multiple-output design. The SIMO buck must be enabled via software. This is done in the AmbiqSuite SDK using a HAL function:

```
am_hal_pwrctrl_control (AM_HAL_PWRCTRL_CONTROL_SIMOBUCK_INIT, 0).
```

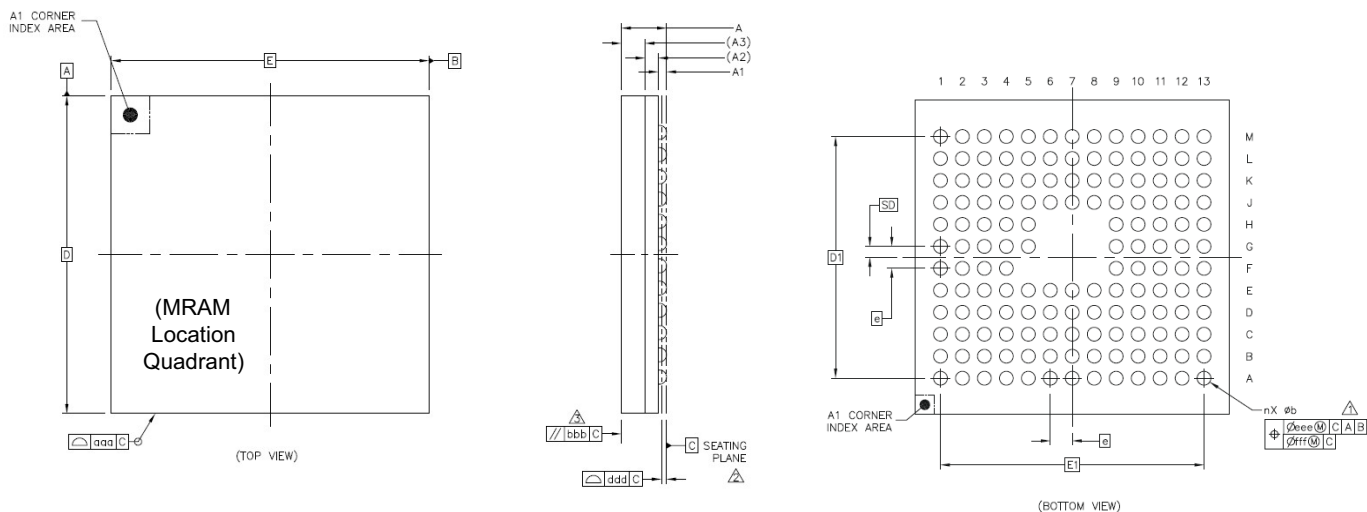
Upon enabling the SIMO buck, it will be power up and stabilized through hardware control. The status of the SIMO buck can be queried via the PWRCTRL\_VRSTATUS register. The SIMO buck has an efficient ultra-low power mode that is entered automatically via hardware control based on active load current of the system.

For cost/area constrained designs, the SIMO buck can be disabled and on-die LDO regulators can be used. In this configuration, the SIMO buck will remain powered down.

There is also a zero length detect circuit to ensure the regulated voltages from the SIMO buck do not drop out.

## 28. Package Mechanical Information<sup>1</sup>

### 28.1 BGA Package



NOTES:

- ⚠ DIMENSION b IS MEASURED AT THE MAXIMUM SOLDER BALL DIAMETER, PARALLEL TO DATUM PLANE C.
- ⚠ DATUM C (SEATING PLANE) IS DEFINED BY THE SPHERICAL CROWNS OF THE SOLDER BALLS.
- ⚠ PARALLELISM MEASUREMENT SHALL EXCLUDE ANY EFFECT OF MARK ON TOP SURFACE OF PACKAGE.

|                             | SYMBOL | COMMON DIMENSIONS |       |      |
|-----------------------------|--------|-------------------|-------|------|
|                             |        | MIN.              | NOR.  | MAX. |
| TOTAL THICKNESS             | A      | 0.635             | 0.71  | 0.8  |
| STAND OFF                   | A1     | 0.08              | ---   | 0.18 |
| SUBSTRATE THICKNESS         | A2     |                   | 0.21  | REF  |
| MOLD THICKNESS              | A3     |                   | 0.37  | REF  |
| BODY SIZE                   | D      |                   | 5     | BSC  |
|                             | E      |                   | 5     | BSC  |
| BALL DIAMETER               |        |                   | 0.2   |      |
| BALL OPENING                |        |                   | 0.2   |      |
| BALL WIDTH                  | b      | 0.17              | ---   | 0.27 |
| BALL PITCH                  | e      |                   | 0.35  | BSC  |
| BALL COUNT                  | n      |                   | 146   |      |
| EDGE BALL CENTER TO CENTER  | D1     |                   | 3.85  | BSC  |
|                             | E1     |                   | 4.2   | BSC  |
| BODY CENTER TO CONTACT BALL | SD     |                   | 0.175 | BSC  |
|                             | SE     |                   | ---   | BSC  |
| PACKAGE EDGE TOLERANCE      | aaa    |                   | 0.1   |      |
| MOLD FLATNESS               | bbb    |                   | 0.1   |      |
| COPLANARITY                 | ddd    |                   | 0.08  |      |
| BALL OFFSET (PACKAGE)       | eee    |                   | 0.15  |      |
| BALL OFFSET (BALL)          | fff    |                   | 0.08  |      |
|                             |        |                   |       |      |
|                             |        |                   |       |      |

Figure 57. Package Drawing for Apollo4 Plus SoC

1. All dimensions in mm unless otherwise noted.

## 28.2 Reflow Profile

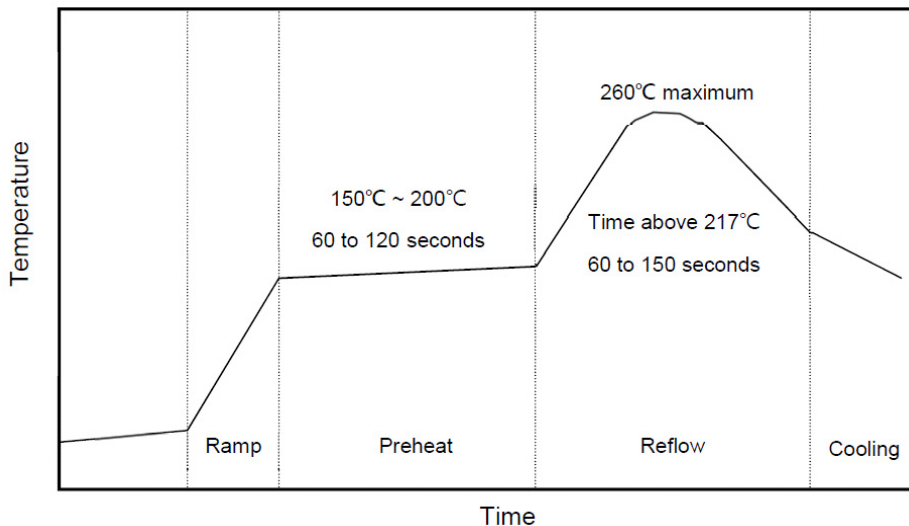
Table 19 lists the reflow conditions for the lead-free package. Reference IR Reflow Profile for Moisture Sensitivity Test (J-STD-020).

Reflow times: 3 cycles

**Table 19: Reflow Condition (260 °C) for Pb-free Package**

| Profile Features                              | Pb-Free Assembly  |
|---|-------------------|
| Average ramp-up rate (include 217 °C to Peak) | 3 °C/second max.  |
| Temperature maintained above 217 °C           | 60 to 150 seconds |
| Time within 5 °C of actual peak temperature   | 20 - 40 seconds   |
| Peak temperature (minimum)                    | 260 +0/-5 °C      |
| Ramp-down rate                                | 6 °C /second max. |
| Time 25 °C to peak temperature                | 8 minutes max.    |

Figure 58 illustrates the temperature profile for reflow soldering requirements.



**Figure 58. Reflow Profile**



## 29. Electrical Characteristics

### **IMPORTANT NOTICE**

Specifications and other information in this Apollo4 Plus SoC datasheet are subject to change. Contact Ambiq sales with questions about specifications.

All specifications listed herein are provided for the -20C to 60C temperature range unless noted otherwise.

## 29.1 Absolute Maximum Ratings

The absolute maximum ratings are the limits to which the device can be subjected without permanently damaging the device and are stress ratings only. Device reliability may be adversely affected by exposure to absolute-maximum ratings for extended periods. Functional operation of the device at the absolute maximum ratings or any other conditions beyond the recommended operating conditions is not implied.

**Table 20: Absolute Maximum Ratings**

| Symbol              | Parameter                                    | Test Conditions  | Min   | Max           | Unit |
|---------------------|--|--|-------|---------------|------|
| VDDP                | SIMO Buck / LDO Supply voltage               |  | -     | 3.63          | V    |
| VDDA                | Analog Supply voltage                        |  | -     | 3.63          | V    |
| VDDH                | Primary IO Supply voltage                    |  | -     | 3.63          | V    |
| VDDH2               | Secondary IO Supply voltage                  |  | -     | 3.63          | V    |
| VDD18               | MIPI, DSI, DISPPLL Supply voltage            |  | -     | 1.98          | V    |
| VDDAUDD             | Digital Audio Supply voltage                 |  | -     | 3.63          | V    |
| VDDAUDA             | Analog Audio Supply voltage                  |  | -     | 1.98          | V    |
| VDDUSB33            | USB Analog 3.3 V Supply voltage              |  | -     | 3.63          | V    |
| VDDUSB0P9           | USB Analog 0.9V Supply voltage               |  | -     | 0.99          | V    |
| V <sub>IO</sub>     | Voltage on all input and output pins         |  | -0.30 | VDDH+<br>0.30 | V    |
| T <sub>OP</sub>     | Operating temperature                        |  | -20   | 60            | °C   |
| T <sub>STORE</sub>  | Storage temperature                          |  | -55   | 125           | °C   |
| θ <sub>JA</sub>     | Thermal resistance, junction to ambient      | BGA Package on 4 layer PCB in still air, 0.15 mW power dissipation   | -     | 46.77         | °C/W |
| θ <sub>JC</sub>     | Thermal resistance, junction to package case | BGA Package on 4 layer PCB in still air, 0.15 mW power dissipation   | -     | 10.89         | °C/W |
| T <sub>REFLOW</sub> | Reflow temperature                           | Reflow Profile per JEDEC J-STD-020D.1                                | -     | 260           | °C   |
| I <sub>LU</sub>     | Latch-up current                             | EIA/JESD78, 25°C, ±100mA trigger current and Over-voltage at 1.5Vmax | -     | 100           | mA   |
| V <sub>ESDHBM</sub> | ESD Human Body Model (HBM)                   | JS-001-2017  | -     | 2000          | V    |
| V <sub>ESDCDM</sub> | ESD Charged Device Model (CDM)               | JS-002-2014  | -     | 250           | V    |

## 29.2 Recommended Operating Conditions

### 29.2.1 Voltage Supplies

Table 21: Voltage Supplies

| Supply    | Description                             | Source   | Operating Range (V) |             |            | Comments   |
|-----------|---|--|---------------------|-------------|------------|--|
|           |   |  | Min                 | Typ         | Max        |  |
| VDDA      | Analog Supply                           | Battery / External Regulator                             | 1.71                | 1.8 - 2.0   | 2.2        |  |
| VDDP      | SIMO Buck/ LDO Supply                   | Battery / External Regulator                             | 1.71                | 1.8 - 2.0   | 2.2        | DCM buck will cause spikes of up to 100 mA.  |
| VDDH      | Primary I/O Supply                      | Battery / External Regulator                             | 1.71                | 1.8 - 2.0   | 2.2        |  |
| VDDAUDD   | Digital Audio Supply                    | Battery / External Regulator                             | 1.71                | 1.8 - 2.0   | 2.2        |  |
| VDDH2     | Secondary I/O Supply                    | Battery / External Regulator                             | 1.14                | 1.2 - 2.0   | VDDA+ 0.5V |  |
| VDDAUDA   | Analog Audio and 24.576 MHz XTAL supply | External LDO, Low quiescent current, low noise preferred | 1.62                | 1.75 - 1.85 | 1.98       | See note below. <sup>a</sup><br>Refer to VDDAUDA Table for Noise/PSRR Requirements.  |
| VDD18     | MIPI DPHY LP LDO and transceivers       | Battery / External Regulator                             | 1.62                | 1.8         | 1.98       | Powering VDD18 without powering DSI TX/D-PHY internal power rails results in uncontrolled current leakage to VDD18 and leads to long-term reliability issues. Noise/ripple: $\pm 2\%$ (72mVpk-pk), freq. range 10 MHz - 3 GHz <sup>b</sup> |
| VDDUSB33  | USB Analog 3.3 V Supply                 | Battery / External Regulator                             | 3.0                 | 3.3         | 3.63       | For different USB power scenarios: See "Universal Serial Bus (USB)" on page 224.   |
| VDDUSB0P9 | USB Analog 0.9 V Supply                 | External Regulator                                       | 0.84                | 0.9         | 0.99       | Noise/ripple < 3% (pk-pk)  |

- a. To reduce power consumption and supply noise, VDDAUDA should be tied to a supply within the VDDAUDA operating range when not using either the Low Power Analog Audio Interface module or the high-speed XTALHS crystal clock (any mode), which are powered by the VDDAUDA supply. In this specific scenario, the VDDAUDA supply does not need to meet the noise/PSRR conditions as required when any component/module supplied by VDDAUDA is active.
- b. This uncontrolled current leakage to VDD18 has been resolved in Apollo4 Plus and therefore turning power on and off to VDD18 in a particular sequence on Apollo4 Plus SoCs is not needed.

## 29.2.2 VDDAUDA Voltage Supply Requirements

The VDDAUDA voltage supply provides power to the AUDADC module.

### 29.2.2.1 AUDADC Current Consumption

This section lists current required by the VDDAUDA supply when it is powering the AUDADC and audio microphones.

**Table 22: AUDADC Power Supply (VDDAUDA)**

| Parameter                 | Condition             | Min | Typ | Max | Units   | Comments   |
|---------------------------|-----------------------|-----|-----|-----|---------|--|
| VDDAUDA - Voltage         |                       | -   | 1.8 | -   | V       | < 1 $\mu$ A quiescent current<br>> 40 dB PSRR in the range 1 kHz to 10 kHz |
| VDDAUDA - Leakage Current |                       | -   | 10  | -   | nA      |  |
| VDDAUDA - Active Current  | AUDADC and PGA Active | -   | 60  | 120 | $\mu$ A |  |
| VDDAUDA - Active Current  | MICBIAS Active        | -   | 20  | 400 | $\mu$ A | MICBIAS current dependent on external microphone power consumption         |
| VDDAUDA - Active Current  | All Active            | -   | 80  | 520 | $\mu$ A |  |

### 29.2.2.2 AUDADC Requirements

This section specifies the VDDAUDA requirement when it is powering the AUDADC.

**Table 23: VDDAUDA Phase Noise**

| Parameter               | Condition      | Min | Typ   | Max   | Units            |
|-------------------------|----------------|-----|-------|-------|------------------|
| Noise/Ripple on VDDAUDA | <20 kHz        | -   | 0.396 | 1.187 | mV <sub>pp</sub> |
|                         | 20 kHz-200 kHz | -   | 0.089 | 0.266 | mV <sub>pp</sub> |

**Table 24: PSRR Requirements for AUDADC + PGA to Achieve 80dB SNR**

| Parameter  | Frequency | PSRR (20 mV <sub>pp</sub> ) | PSRR (40 mV <sub>pp</sub> ) | PSRR (60 mV <sub>pp</sub> ) | PSRR (100 mV <sub>pp</sub> ) | Unit |
|--|-----------|-----------------------------|-----------------------------|-----------------------------|------------------------------|------|
| LDO PSRR Requirement by frequency dependent on ripple of voltage source to LDO | <2 kHz    | -4                          | -10                         | -13                         | -18                          | dB   |
|  | 10 kHz    | -19                         | -25                         | -28                         | -33                          | dB   |
|  | 20 kHz    | -25                         | -31                         | -34                         | -39                          | dB   |
|  | 200 kHz   | -38                         | -44                         | -47                         | -52                          | dB   |

### 29.2.3 Power Supply Sequencing

**Table 25: Power Supply Sequencing**

| External Supply <sup>a</sup> | Conditions/Notes   |
|------------------------------|--|
| VDDP/VDDH/VDDA               | <ol style="list-style-type: none"> <li>1. Power up concurrently from same source to the same voltage (i.e., VDDP = VDDH = VDDA).</li> <li>2. Should generally be supplied at nearly the same time as other rails.</li> <li>3. Some skew is acceptable.</li> </ol>  |
| VDDH2                        | <ol style="list-style-type: none"> <li>1. May be powered up before, at the same time as, or any time after VDDP/VDDH/VDDA are powered<sup>b</sup>.</li> <li>2. May be a separate supply from VDDP/VDDH/VDDA, but it may be tied to VDDP/VDDH/VDDA if not requiring a different voltage.</li> </ol>   |
| VDDAUDA <sup>c</sup>         | <ol style="list-style-type: none"> <li>1. May be powered before or at the same time as VDDP/VDDH/VDDA.</li> <li>2. If not using audio, then may be tied to VDDP/VDDH/VDDA.</li> <li>3. Must be a very clean supply when used - see previous "VDDAUDA Voltage Supply Requirements" section.</li> <li>4. Primarily needed for the LP analog microphone.</li> </ol>   |
| VDDAUDD                      | <ol style="list-style-type: none"> <li>1. May be tied to VDDP/VDDH/VDDA.</li> <li>2. Must be powered before or at the same time as VDDP/VDDH/VDDA.</li> </ol>  |
| VDD18                        | <ol style="list-style-type: none"> <li>1. Should be tied to ground if not using MIPI DSI interface.</li> <li>2. If using MIPI, then may be powered at the same time as VDDP/VDDH/VDDA but not before.</li> <li>3. Preferably only enabled/powered up when the display is being used.</li> </ol>  |
| VDDUSB33/<br>VDDUSB0P9       | <ol style="list-style-type: none"> <li>1. May be powered before, at the same time as, or after VDDP/VDDH/VDDA.</li> <li>2. For different USB power scenarios: See "System Power Sequencing for USB and DSI PHYs" on page 142.</li> <li>3. Only required when using USB (i.e., when USB cable is plugged in).</li> <li>4. Powering both supplies at the same time from VBUS source is recommended, with 0.9 V generated by LDO from the 3.3 V.<sup>d</sup></li> </ol> |

a. Recommended Termination of Unused Interface:

- USB data pads (USB0PP and USB0PN) left open
- USB PHY power rails VDDUSB33 and VDDUSB0P9 connected to ground
- DSI TX data and clock pads left open

b. Grounding VDDH2 while VDDP/VDDH/VDDA are powered will result in excess current draw and can have long term reliability implications.

c. To reduce power consumption and supply noise, VDDAUDA should be tied to a supply within the VDDAUDA operating range when not using either the Low Power Analog Audio Interface module or the high-speed XTALHS crystal clock (any mode), which are powered by the VDDAUDA supply. In this specific scenario, the VDDAUDA supply does not need to meet the noise/PSRR conditions as required when any component/module supplied by VDDAUDA is active.

d. Although it is recommended to power-up VDDUSB33 and VDDUSB0P9 together only when USB is to be used, it is possible to keep VDDUSB33 powered at all times. In which case it is required that a 2 M $\Omega$  pull-down resistor be included on each of the USB data lines to prevent leakage current. Note that in all cases, the USB internal power rail (VCCCORE controlled by software) must be enabled by software before external power is applied to VDDUSB0P9.

29.2.4 Recommended External Components for the Buck Converters

Table 26: SIMO Buck Converter

| Symbol      | Parameter  | Test Conditions | Min | Typ | Max | Unit    |
|-------------|--|-----------------|-----|-----|-----|---------|
| $L_{SBUCK}$ | SIMO Buck converter inductance ( $V_{SIMO}$ )  |                 | -   | 2.2 | -   | $\mu H$ |
| $C_{BUCK}$  | SIMO Buck converter output capacitance (4) ( $VDDC$ , $VDDF$ , $VDDS$ , $VDDC\_LV$ ) |                 | -   | 2.2 | -   | $\mu F$ |

- SIMO Buck Inductor (connected between SIMOBUCK\_SW and SIMOBUCK\_SWSEL):

  - 2.2  $\mu H$
  - Saturation current > 400 mA (> 500 mA recommended to achieve specified power consumption)
  - Maximum DC resistance < 0.55 ohms
  - Operating frequency range > 20 MHz
  - Recommended part: Murata DFE201610E-2R2M=P2 (0806) or Taiyo Yuden MBKK1608T2R2M (0603)
- SIMO Buck Bypass Capacitors:

  - 0201, 2.2  $\mu F$ , 10 V, X5R caps are recommended for these internal rails
  - Murata GRM033R61A225KE47D are used on Ambiq validation boards for the 2.2  $\mu F$  caps.
  - <https://www.digikey.com/product-detail/en/Murata-electronics/GRM033R61A225KE47D/490-13227-1-ND/5877435> [digikey.com]

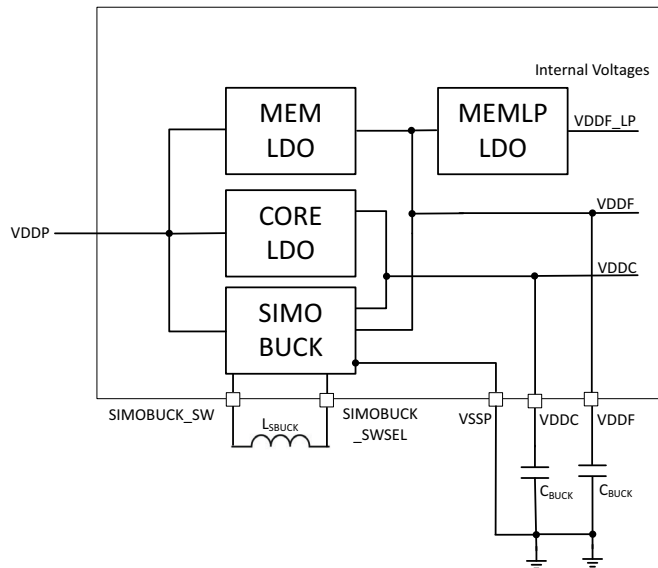


Figure 59. External Components for SIMO Buck

### 29.2.5 Recommended External Components for External Voltage Supplies

**Table 27: Recommended Bypass Capacitors for External Supplies**

| External Supply         | Bypass Capacitor  |
|-------------------------|---|
| VDDP, VDDH, VDDH2, VDDA | 1 $\mu$ F to Ground   |
| VDDAUDD                 | 2.2 $\mu$ F to Ground   |
| VDDAUDA                 | 2.2 $\mu$ F to Ground (Typ);<br>Follow recommendations of LDO supplier. See note 4 below. |
| VDDUSB33                | 2.2 $\mu$ F to ground   |
| VDDUSB0P9               | 2.2 $\mu$ F to Ground   |
| VDD18                   | 2.2 $\mu$ F to Ground   |

**NOTES:**

- 1) Recommend use of 5 V or greater caps for 1.9 V rails
- 2) Recommend use of 10 V caps for 3.3 V rails
- 3) Do not float any supply inputs. If not powered, they should be grounded
- 4) Suitable standalone small form factor LDOs:
  - Microchip MCP1811A in 1.0 x 1.0 x 0.50 mm UDFN package
  - TI TPS7A02 in 1.0 x 1.0 x 0.40 mm X2SON package

### 29.2.6 *Recommended External Components for Other Supplies and References*

- VDDP to VDDF
  - A 2.2  $\mu$ F capacitor between VDDF and VDDP is recommended in order to ensure proper operation of POR circuitry at start-up.
- LPADC\_VREF
  - 100 nF cap to ground
- MICBIAS
  - MICBIAS can source up to 400  $\mu$ A at 1.3 V (VDDMIC), with a minimum VDDAUDA supply of 1.62 V.
  - 2.2  $\mu$ F cap is needed on VDDMIC to support 400  $\mu$ A. Smaller acceptable for lower current.



## 29.3 Power Mode Transition Times

**Table 28: Power Mode Transitions**

| Symbol                        | Parameter                              | Min | Typ | Max | Unit |
|-------------------------------|--|-----|-----|-----|------|
| <b>Buck mode</b>              |  |     |     |     |      |
| T <sub>SLEEP_TO_RUN</sub>     | Sleep to Run mode transition time      | -   | 240 | -   | ns   |
| T <sub>DEEPSLEEP_TO_RUN</sub> | Deep-Sleep to Run mode transition time | -   | 25  | -   | μs   |
| <b>LDO mode</b>               |  |     |     |     |      |
| T <sub>SLEEP_TO_RUN</sub>     | Sleep to Run mode transition time      | -   | 240 | -   | ns   |
| T <sub>DEEPSLEEP_TO_RUN</sub> | Deep-Sleep to Run mode transition time | -   | 25  | -   | μs   |

## 29.4 Current Consumption

**Table 29: Current Consumption in Active Mode and Sleep Modes**

| Symbol                    | Parameter                        | Test Conditions  | VDD (V) | Min | Typ (Without PRO) <sup>5</sup> | Typ (With PRO) <sup>5</sup> | Max | Unit       | Notes         |
|---------------------------|----------------------------------|--|---------|-----|--------------------------------|-----------------------------|-----|------------|---------------|
| I <sub>RUNLPFB</sub>      | Coremark run current             | Executed from internal NVM, cache enabled, buck enabled, 128 kB TCM, HFRC=96 MHz                       | 1.9     | -   | 17.2                           | 15.4                        | -   | μA/<br>MHz | 1, 2, 3, 4, 5 |
|                           |                                  |  | 3.3     | -   | 9.9                            | 8.9                         | -   |            |               |
| I <sub>RUNHPFB</sub>      | Coremark run current             | Executed from internal NVM, cache enabled, buck enabled, 128 kB TCM, HFRC=192 MHz                      | 1.9     | -   | 21.3                           | 20.8                        | -   | μA/<br>MHz | 1, 2, 3, 4, 5 |
|                           |                                  |  | 3.3     | -   | 12.3                           | 11.9                        | -   |            |               |
| I <sub>RUNWLPFB</sub>     | While loop run current           | Executed from internal NVM, cache enabled, buck enabled, 8 kB TCM                                      | 1.9     | -   | 8.6                            | 7.2                         | -   | μA/<br>MHz | 1, 2, 3, 4, 5 |
|                           |                                  |  | 3.3     | -   | 5.0                            | 4.1                         | -   |            |               |
| I <sub>SS2</sub>          | System Sleep mode 2 current      | WFI instruction with SLEEP=1, clocks gated, oscillators on, buck converters enabled, 8 kB TCM retained | 1.9     | -   | 180                            | 180                         | -   | μA         | 1, 2, 3, 4, 5 |
|                           |                                  |  | 3.3     | -   | 103.6                          | 103.6                       | -   |            |               |
| I <sub>SDS2-8RET</sub>    | System Deep Sleep mode 2 current | WFI instruction with SLEEPDEEP=1, XTAL off, buck enabled, 8 kB TCM retained                            | 1.9     | -   | 14.3                           | 13.6                        | -   | μA         | 2, 3, 4, 5    |
|                           |                                  |  | 3.3     | -   | 8.2                            | 7.8                         | -   |            |               |
| I <sub>SDS2-384RET</sub>  | System Deep Sleep mode 2 current | WFI instruction with SLEEPDEEP=1, XTAL off, buck enabled, 384 kB TCM retained                          | 1.9     | -   | 25.6                           | 24.55                       | -   | μA         | 2, 3, 4, 5    |
|                           |                                  |  | 3.3     | -   | 14.7                           | 14.1                        | -   |            |               |
| I <sub>SDS2-2816RET</sub> | System Deep Sleep mode 2 current | WFI instruction with SLEEPDEEP=1, XTAL off, buck enabled, 2816 kB SRAM retained                        | 1.9     | -   | 61.75                          | 58.1                        | -   | μA         | 2, 3, 4, 5    |
|                           |                                  |  | 3.3     | -   | 35.6                           | 33.5                        | -   |            |               |
| I <sub>SDS3</sub>         | System Deep Sleep mode 3 current | WFI instruction with SLEEPDEEP=1, XTAL off, buck enabled, all SRAM off                                 | 1.9     | -   | 13.4                           | 13.4                        | -   | μA         | 2, 3, 4, 5    |
|                           |                                  |  | 3.3     | -   | 7.72                           | 7.72                        | -   |            |               |

<sup>1</sup> Core clock (HCLK) is 96 MHz for each parameter unless otherwise noted.

<sup>2</sup> All values measured at 25°C.

<sup>3</sup> Current consumption is normalized to 3.3 V and shown for comparison purposes. Efficiency of conversion not considered. Specifications at other VDD voltages available upon request.

<sup>4</sup> All I/O power domains and peripherals powered off.

<sup>5</sup> Apollo4 Plus current consumption measurements are given with and without the optional software-enabled TEMPCO and VDDC\_LV power reduction optimization (PRO).

## 29.5 Non-volatile Memory (NVM)

**Table 30: NVM**

| Symbol                | Parameter                     | Min     | Typ | Max | Unit   |
|-----------------------|-------------------------------|---------|-----|-----|--------|
| P <sub>CYC</sub>      | Program cycles before failure | 100,000 | -   | -   | cycles |
| T <sub>DATA RET</sub> | Data retention @125C          | 10      | -   | -   | years  |
| T <sub>BW</sub>       | Burst write time              | -       | -   | 1.5 | kB/ms  |

## 29.6 Power-On RESET (POR) and Brown-Out Detector (BOD)

**Table 31: Power-On Reset (POR) and Brown-Out Detector (BOD)**

| Symbol                    | Parameter  | Min | Typ         | Max | Unit |
|---------------------------|--|-----|-------------|-----|------|
| V <sub>POR_RISING</sub>   | POR rising threshold voltage                     | -   | 1.635-1.675 | -   | V    |
| V <sub>BODL_FALLING</sub> | Brownout detection low falling threshold voltage | -   | 1.65-1.70   | -   | V    |

## 29.7 General Purpose Input/Output (GPIO)

**Table 32: General Purpose Input/Output (GPIO)**

| Symbol                       | Parameter  | Min          | Typ   | Max          | Unit       |
|------------------------------|--|--------------|-------|--------------|------------|
| <b>ALL GPIOs<sup>a</sup></b> |  |              |       |              |            |
| $C_{GPI}$                    | Input capacitance  | -            | 5     | -            | pF         |
| $I_{IN}$                     | Input pin leakage current                                      | -            | 1     | 20           | nA         |
| $I_{INOD}$                   | Open drain output leakage current                              | -            | 1     | 20           | nA         |
| $V_{OH}$                     | High-level output voltage                                      | $0.8V_{DDH}$ | -     | -            | V          |
| $V_{OL}$                     | Low-level output voltage                                       | -            | -     | $0.2V_{DDH}$ | V          |
| $V_{IH}$                     | Positive going input threshold voltage                         | $0.7V_{DDH}$ | -     | -            | V          |
| $V_{IL}$                     | Negative going input threshold voltage                         | -            | -     | $0.3V_{DDH}$ | V          |
| $V_{HYS}$                    | Input Hysteresis   | 0.12         | 0.14  | 0.16         | V          |
| $R_{PD50K}^b$                | 50 k $\Omega$ pull-down resistance, PULLCFG = 1                | 42.4         | 51.0  | 59.4         | k $\Omega$ |
| $R_{PU15K}^b$                | 1.5 k $\Omega$ pull-up resistance, PULLCFG = 2                 | 1.3          | 1.6   | 1.9          | k $\Omega$ |
| $R_{PU6K}^b$                 | 6 k $\Omega$ pull-up resistance, PULLCFG = 3                   | 5.2          | 6.2   | 7.2          | k $\Omega$ |
| $R_{PU12K}^b$                | 12 k $\Omega$ pull-up resistance, PULLCFG = 4                  | 10.4         | 12.5  | 14.6         | k $\Omega$ |
| $R_{PU24K}^b$                | 24 k $\Omega$ pull-up resistance, PULLCFG = 5                  | 20.6         | 24.9  | 29.0         | k $\Omega$ |
| $R_{PU50K}^b$                | 50 k $\Omega$ pull-up resistance, PULLCFG = 6                  | 42.2         | 50.6  | 58.8         | k $\Omega$ |
| $R_{PU100K}^b$               | 100 k $\Omega$ pull-up resistance, PULLCFG = 7                 | 84.0         | 100.5 | 116.6        | k $\Omega$ |
| $I_{SRC\_0p1DS}^b$           | Output source current, 1.8V, 0.1x drive strength               | 3.1          | -     | -            | mA         |
| $I_{SNK\_0p1DS}^b$           | Output sink current, 1.8V, 0.1x drive strength                 | 3.5          | -     | -            | mA         |
| $I_{SRC\_0p5DS}^b$           | Output source current, 1.8V, 0.5x drive strength               | 15.6         | -     | -            | mA         |
| $I_{SNK\_0p5DS}^b$           | Output sink current, 1.8V, 0.5x drive strength                 | 14.0         | -     | -            | mA         |
| $I_{SRC\_0p75DS}^b$          | Output source current, 1.8V, 0.75x drive strength <sup>c</sup> | 25.0         | -     | -            | mA         |
| $I_{SNK\_0p75DS}^b$          | Output sink current, 1.8V, 0.75x drive strength                | 20.9         | -     | -            | mA         |
| $I_{SRC\_1p0DS}^b$           | Output source current, 1.8V, 1.0x drive strength               | 31.3         | -     | -            | mA         |
| $I_{SNK\_1p0DS}^b$           | Output sink current, 1.8V, 1.0x drive strength                 | 27.9         | -     | -            | mA         |

**Table 32: General Purpose Input/Output (GPIO)**

| Symbol                   | Parameter   | Min | Typ   | Max | Unit |
|--------------------------|---|-----|-------|-----|------|
| $T_{RISE\_STD\_0P1X}^b$  | Rise time, 1.8V, 30 pF load, 0.1x drive strength  | -   | 11.85 | -   | ns   |
| $T_{FALL\_STD\_0P1X}^b$  | Fall time, 1.8V, 30 pF load, 0.1x drive strength  | -   | 9.25  | -   | ns   |
| $T_{RISE\_STD\_0P5X}^b$  | Rise time, 1.8V, 30 pF load, 0.5x drive strength  | -   | 2.4   | -   | ns   |
| $T_{FALL\_STD\_0P5X}^b$  | Fall time, 1.8V, 30 pF load, 0.5x drive strength  | -   | 2.45  | -   | ns   |
| $T_{RISE\_STD\_0P75X}^b$ | Rise time, 1.8V, 30 pF load, .075x drive strength | -   | 1.55  | -   | ns   |
| $T_{FALL\_STD\_0P75X}^b$ | Fall time, 1.8V, 30 pF load, 0.75x drive strength | -   | 1.65  | -   | ns   |
| $T_{RISE\_STD\_1P0X}^b$  | Rise time, 1.8V, 30 pF load, 1.0x drive strength  | -   | 1.25  | -   | ns   |
| $T_{FALL\_STD\_1P0X}^b$  | Fall time, 1.8V, 30 pF load, 1.0x drive strength  | -   | 1.3   | -   | ns   |

- a. All GPIOs have Schmitt trigger inputs
- b. Specifications based on simulations.
- c. 0.75x and 1.0x drive strengths not available on all GPIO. See PINCFGn\_DS<sub>n</sub> register field for each GPIO.

## 29.8 Clocks/Oscillators

**Table 33: Primary Internal Clocks**

| Symbol                 | Parameter                                     | Test Conditions                  | Min | Typ     | Max | Unit |
|------------------------|---|----------------------------------|-----|---------|-----|------|
| $F_{\text{HFRC\_LP}}$  | HFRC frequency - Low Power                    |                                  | -   | 96      | -   | MHz  |
| $F_{\text{HFRC}}$      | HFRC frequency - High Performance Burst Mode  |                                  | -   | 192     | -   | MHz  |
| $DC_{\text{HFRC}}$     | HFRC duty cycle                               |                                  | 45  | 50      | 55  | %    |
| $F_{\text{HFRC2\_LP}}$ | HFRC2 frequency - Low Power                   |                                  | -   | 196.608 | -   | MHz  |
| $F_{\text{HFRC2}}$     | HFRC2 frequency - High Performance Burst Mode |                                  | -   | 393.216 | -   | MHz  |
| $F_{\text{LFRC}}$      | LFRC frequency                                |                                  | -   | 900     | -   | Hz   |
| $DC_{\text{LFRC}}$     | LFRC duty cycle                               | CLKGEN_CLK-OUT_CKSEL = LFRC_DIV2 | 45  | 50      | 55  | %    |

**Table 34: Low-frequency Crystal**

| Symbol                    | Parameter                                      | Test Conditions                                | Min | Typ    | Max | Unit       |
|---------------------------|--|--|-----|--------|-----|------------|
| $F_{\text{XT}}$           | XT frequency                                   |  | -   | 32.768 | -   | kHz        |
| $DC_{\text{XT}}$          | XT duty cycle                                  |  | 45  | 52     | 60  | %          |
| $C_{\text{INX}}$          | Internal XI/XO pin capacitance                 |  | -   | 3.4    | -   | pF         |
| $C_{\text{EXT\_XT\_TOL}}$ | Allowed external XI/XO pin capacitance per pin |  | -   | -      | 7   | pF         |
| $F_{\text{OF}}$           | XT oscillator failure detection frequency      |  | -   | 8      | -   | kHz        |
| $OA_{\text{XT}}$          | XT oscillation allowance                       | At 25°C using a 32.768 kHz tuning fork crystal | 320 | -      | -   | K $\Omega$ |

Table 35: High-speed Crystal Oscillator

| Symbol             | Parameter                            | Test Conditions  | Min | Typ | Max | Unit |
|--------------------|--------------------------------------|--|-----|-----|-----|------|
| F <sub>XTAL</sub>  | Crystal frequency                    |  | -   | 32  | -   | MHz  |
| ΔF <sub>XTAL</sub> | Frequency tolerance                  | Untrimmed; include initial tolerance/aging/temperature drift | -40 | -   | 40  | ppm  |
| C <sub>L</sub>     | Crystal load capacitance             |  | -   | 6   | -   | pF   |
| ESR                | Equivalent serial resistance         |  | -   | -   | 100 | Ω    |
| T <sub>XTAL</sub>  | Startup time                         |  | -   | 1   | -   | ms   |
| C <sub>INX</sub>   | Internal XI32M/XO32M pin capacitance |  | -   | 3.4 | -   | pF   |
| OA <sub>XT</sub>   | XT oscillation allowance             |  | 320 | -   | -   | KΩ   |

Table 36: High-speed External Oscillator

| Symbol                     | Parameter   | Test Conditions | Min | Typ | Max     | Unit             |
|----------------------------|---|-----------------|-----|-----|---------|------------------|
| F <sub>EXTCLK</sub>        | External clock frequency  |                 | 5   | 32  | 48      | MHz              |
| DC <sub>EXTCLKSQ</sub>     | Square wave external clock duty cycle   |                 | 35  | 50  | 65      | %                |
| DC <sub>EXTCLKSN</sub>     | Sine wave external clock duty cycle   |                 | -   | 50  | -       | %                |
| ΔDC <sub>CLKOUT_32M</sub>  | Duty cycle tolerance (from 50%) on CLK-OUT_32M external pin when external clock applied |                 | -   | -   | ±5      | %                |
| V <sub>EXTCLK_SQ</sub>     | Square wave external clock voltage amplitude (DC offset not a concern)                  |                 | 0.3 | 1   | VDDAUDA | V                |
| V <sub>EXTCLK_SN</sub>     | Sine wave external clock peak-to-peak voltage (DC offset not a concern)                 |                 | 0.3 | 1   | VDDAUDA | V <sub>P-P</sub> |
| C <sub>XO32M_IN_NOXT</sub> | Input capacitance at XO32M pin - no crystal <sup>a</sup>                                |                 | -   | -   | 10      | pF               |

a. Care must be taken to ensure external clock can drive pin's internal capacitance (C<sub>XO32M\_IN\_NOXT</sub>) while still meeting minimum amplitude requirement (V<sub>EXTCLK</sub>).



## 29.9 Real Time Clock (RTC)

Table 37: Real Time Clock (RTC)

| Symbol              | Parameter              | Min | Typ | Max   | Unit |
|---------------------|------------------------|-----|-----|-------|------|
| F <sub>RTCCLK</sub> | Clock frequency        | -   | 100 | -     | Hz   |
| T <sub>CLKRES</sub> | Clock/Alarm Resolution | -   | -   | 1/100 | s    |

## 29.10 STIMER

**Table 38: System Timer (STIMER)**

| Symbol              | Parameter       | Min | Typ | Max                   | Unit |
|---------------------|-----------------|-----|-----|-----------------------|------|
| F <sub>STIMER</sub> | Input frequency | -   | -   | F <sub>HFR0</sub> /16 | MHz  |

## 29.11 Watchdog Timer (WDT)

Table 39: Watchdog Timer (WDT)

| Symbol   | Parameter                 | Min  | Typ | Max | Unit |
|----------|---------------------------|------|-----|-----|------|
| $T_{WD}$ | Watchdog timer resolution | 1/16 | 128 | 128 | Hz   |

## 29.12 Voltage Comparator (VCOMP)

**Table 40: Voltage Comparator (VCOMP)**

| Symbol                  | Parameter                             | Test Conditions | Min | Typ | Max  | Unit |
|-------------------------|---------------------------------------|-----------------|-----|-----|------|------|
| V <sub>COMPIN</sub>     | Input voltage range                   |                 | 0   | -   | VDDA | V    |
| T <sub>COMP_RTRIG</sub> | Rising voltage trigger response time  |                 | -   | 3   | 9    | μs   |
| T <sub>COMP_FTRIG</sub> | Falling voltage trigger response time |                 | -   | 5   | 15   | μs   |
| V <sub>HYST</sub>       | Hysteresis (Rising and Falling)       |                 | 30  | 55  | 80   | mV   |

## 29.13 General Purpose Analog-to-Digital Converter (ADC)

**Table 41: General Purpose Analog to Digital Converter (ADC)**

| Symbol   | Parameter   | Test Conditions | Min | Typ                                    | Max                 | Unit   |
|--|---|-----------------|-----|--|---------------------|--------|
| F <sub>ADCCLK</sub>  | Master ADC Clock Frequency                                |                 | -   | 24                                     | -                   | MHz    |
| <b>ANALOG INPUT</b>  |   |                 |     |  |                     |        |
| V <sub>ADCIN</sub>   | Input voltage range                                       |                 | 0   | -                                      | V <sub>ADCREf</sub> | V      |
| V <sub>ADCINN</sub>  | Maximum safe Input voltage range                          |                 | 0   | -                                      | V <sub>DDH</sub>    | V      |
| V <sub>ADCREf</sub>  | Internal reference voltage range                          |                 | -   | 1.19                                   | -                   | V      |
| C <sub>ADCIN</sub>   | Input source capacitance                                  |                 | -   | 2                                      | -                   | pF     |
| <b>SAMPLING DYNAMICS</b>   |   |                 |     |  |                     |        |
| RES  | Resolution  |                 | 8   | -                                      | 12                  | bit    |
| F <sub>ADCONV</sub>  | Conversion rate <sup>a</sup>                              |                 | -   | 1.0 (12 b)<br>1.2 (10 b)<br>1.41 (8 b) | -                   | MS/s   |
| TTRIG_C-START_REF0   | Delay from cold start trigger to start of scan            |                 | -   | 96.6                                   | -                   | μs     |
| TTRIG_W-START_LP1_REF0   | Delay from warm start trigger to start of scan, LPMODE1   |                 | -   | 53.7                                   | -                   | μs     |
| TTRIG_W-START_LP0_REF0   | Delay from warm start trigger to start of scan, LPMODE0   |                 | -   | 0                                      | -                   | μs     |
| TSNGLSLOT_SCNCMP_PM12  | Delay from scan start to scan complete, precision mode 12 |                 | -   | 24                                     | -                   | cycles |
| TSNGLSLOT_SCNCMP_PM10  | Delay from scan start to scan complete, precision mode 10 |                 | -   | 20                                     | -                   | cycles |
| TSNGLSLOT_SCNCMP_PM8   | Delay from scan start to scan complete, precision mode 8  |                 | -   | 17                                     | -                   | cycles |
| <b>DYNAMIC CHARACTERISTICS, Internal 1.19V Reference (LDO Mode, Single Ended Input, 1 kHz Input, ADC Running in 12-bit Mode)</b> |   |                 |     |  |                     |        |
| ENOB   | Effective number of bits                                  | 1.8V            | -   | 9.1                                    | -                   | ENOB   |
| THD <sub>ADC</sub>   | Total harmonic distortion (THD) - 1st 7 harmonics         | 1.8V            | -   | -77.4                                  | -                   | dB     |
| SNR <sub>ADC</sub>   | Signal-to-noise ratio (SNR)                               | 1.8V            | -   | 56.8                                   | -                   | dB     |
| SFDR <sub>ADC</sub>  | Spurious-free dynamic range (SFDR)                        | 1.8V            | -   | 75.2                                   | -                   | dB     |
| SINAD <sub>ADC</sub>   | Signal-to-noise and distortion ratio (SINAD)              | 1.8V            | -   | 56.6                                   | -                   | dB     |

| Symbol  | Parameter  | Test Conditions  | Min             | Typ              | Max             | Unit  |
|---|--|------------------|-----------------|------------------|-----------------|-------|
| <b>DYNAMIC CHARACTERISTICS, Internal 1.19V Reference<br/>(Buck Mode, Single Ended Input, 1 kHz Input, ADC Running in 12-bit Mode)</b> |  |                  |                 |                  |                 |       |
| ENOB  | Effective number of bits                             | 1.8V             | -               | 9.1              | -               | ENOB  |
| THD <sub>ADC</sub>  | Total harmonic distortion (THD)<br>- 1st 7 harmonics | 1.8V             | -               | -79.8            | -               | dB    |
| SNR <sub>ADC</sub>  | Signal-to-noise ratio (SNR)                          | 1.8V             | -               | 56.7             | -               | dB    |
| SFDR <sub>ADC</sub>   | Spurious-free dynamic range<br>(SFDR)                | 1.8V             | -               | 73.9             | -               | dB    |
| SINAD <sub>ADC</sub>  | Signal-to-noise and distortion<br>ratio (SINAD)      | 1.8V             | -               | 56.5             | -               | dB    |
| <b>PERFORMANCE</b>  |  |                  |                 |                  |                 |       |
| NMC <sub>ADC</sub>  | Number of missing codes                              |                  | -               | 0                | -               | Codes |
| INL <sub>ADC</sub>  | Integral nonlinearity                                | Full input range | -               | ± 3.5            | -               | LSB   |
| DNL <sub>ADC</sub>  | Differential nonlinearity                            | Full input range | -               | [-0.97,<br>2.27] | -               | LSB   |
| E <sub>ADC_OFFSET</sub>   | Offset error   |                  | -1              | -                | 1               | %FS   |
| E <sub>ADC_GAIN</sub>   | Gain error   |                  | -               | -                | 1               | %FS   |
| <b>INTERNAL TEMPERATURE SENSOR</b>  |  |                  |                 |                  |                 |       |
| E <sub>TEMP</sub>   | Temperature sensor accuracy                          |                  | -               | ± 2.5            | -               | °C    |
| S <sub>TEMP</sub>   | Temperature sensor slope                             |                  | -               | 3.58             | -               | mV/°C |
| <b>BATTERY RESISTANCE</b>   |  |                  |                 |                  |                 |       |
| R <sub>BATT</sub>   | Internal resistance for Battery<br>Measurement       |                  | 374.4           | 468              | 561.6           | Ω     |
| V <sub>BATTDIV</sub>  | Battery divider voltage                              |                  | 0.334 *<br>VDDH | 0.342 *<br>VDDH  | 0.351 *<br>VDDH | V     |

a. Refer to Errata List for any known device issues which may impact the achievable conversion rate.

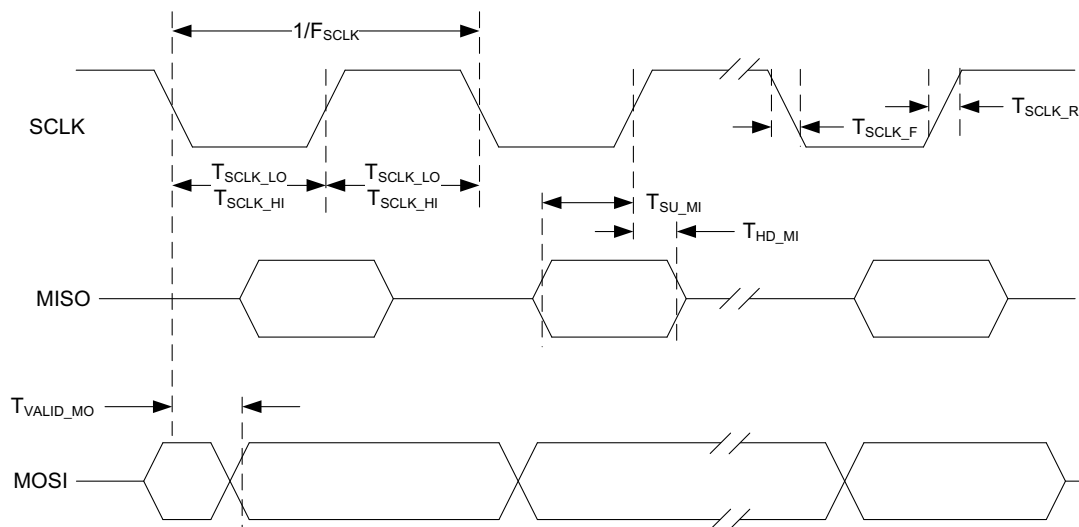
## 29.14 Display Controller (DC)

**Table 42: Display Controller Serial Peripheral Interface (SPI) Interface**

| Symbol                | Parameter                   | Test Condition <sup>a</sup>      | VCC  | Min                   | Typ                   | Max                   | Unit |
|-----------------------|-----------------------------|----------------------------------|------|-----------------------|-----------------------|-----------------------|------|
| F <sub>SCLK</sub>     | SCLK frequency range        |                                  |      | -                     | -                     | 48                    | MHz  |
| T <sub>SCLK_LO</sub>  | Clock low time              |                                  | 1.85 | 0.42/F <sub>CLK</sub> | 0.48/F <sub>CLK</sub> | 0.54/F <sub>CLK</sub> | s    |
| T <sub>SCLK_HI</sub>  | Clock high time             |                                  | 1.85 | 0.46/F <sub>CLK</sub> | 0.52/F <sub>CLK</sub> | 0.58/F <sub>CLK</sub> | s    |
| T <sub>SCLK_R</sub>   | Clock rise time             | 9 pF load,<br>10% to 90% of VDDH | 1.85 | 1.07                  | -                     | -                     | ns   |
| T <sub>SCLK_F</sub>   | Clock fall time             | 9 pF load,<br>90% to 10% of VDDH | 1.85 | 1.01                  | -                     | -                     | ns   |
| T <sub>SU_MI</sub>    | MISO input data setup time  |                                  | 1.85 | 6.95                  | -                     | -                     | ns   |
| T <sub>HD_MI</sub>    | MISO input data hold time   |                                  | 1.85 | 7.93                  | -                     | -                     | ns   |
| T <sub>HD_MO</sub>    | MOSI output data hold time  |                                  | 1.85 | 5.72                  | -                     | -                     | ns   |
| T <sub>VALID_MO</sub> | MOSI output data valid time |                                  | 1.85 | -                     | -                     | 3.92                  | ns   |

a. General test conditions for all parameters:

- TA = 25 °C
- VDDH = VDDP = 1.85 V
- F<sub>CLK</sub> = 48 MHz
- GPIO slew rate = 1 for all pins
- GPIO drive strength = 1P0 for all pins
- Load capacitance = 9 pF



**Figure 60. Display Controller Timing Diagram - SDR Mode**

## 29.15 Multi-bit Serial Peripheral Interface (MSPI)

The timing specifications provided are based on simulated characterization and cover the worst-case fastest and slowest corners.

### 29.15.1 SDR with non-DQS Mode with Octal Data Width

The following specifications cover octal data width for all MSPI instances.

- Timing is based on 0-tap delay on the RX and TX delay lines.
- To use on-chip RX delay lines, the external data skew needs to be less than or equal to 4.0 ns.

**Table 43: MSPI Timing (SDR with Non-DQS Mode)**

| Symbol           | Parameter              | Test Conditions                     | Min  | Typ | Max             | Unit         | Comments  |
|------------------|------------------------|-------------------------------------|------|-----|-----------------|--------------|---|
| $F_{SCLK}$       | SCLK frequency range   |                                     | -    | -   | 48 <sup>a</sup> | MHz          | See MSPI section for any instance-specific clock limitations. |
| $T_{LOW(SCLK)}$  | Clock low time         |                                     | 0.37 | -   | 0.55            | $1/F_{SCLK}$ |   |
| $T_{HIGH(SCLK)}$ | Clock high time        |                                     | 0.45 | -   | 0.63            | $1/F_{SCLK}$ |   |
| $T_{RISE(SCLK)}$ | Clock rise time        | 15 pF load, GPIO Drive Strength=0x3 | -    | 2.4 | -               | ns           |   |
| $T_{FALL(SCLK)}$ | Clock fall time        | 15 pF load, GPIO Drive Strength=0x3 | -    | 2.5 | -               | ns           |   |
| $T_{CEtoSCLK}$   | CE to SCLK start time  |                                     | 1.2  | -   | -               | ns           |   |
| $T_{SCLKtoCE}$   | SCLK to CE end time    |                                     | 10   | -   | -               | ns           |   |
| $T_{SETUP(IN)}$  | Input data setup time  |                                     | 16   | -   | -               | ns           |   |
| $T_{HOLD(IN)}$   | Input data hold time   |                                     | 0    | -   | -               | ns           |   |
| $T_{VALID(OUT)}$ | Output data valid time | 15 pF load, GPIO Drive Strength=0x3 | -    | -   | 4               | ns           |   |
| $T_{HOLD(OUT)}$  | Output data hold time  | 15 pF load, GPIO Drive Strength=0x3 | -5   | -   | -               | ns           |   |

a. For all MSPI instances in non-DQS SDR mode with data widths lower than octal, up to 96 MHz is supported.



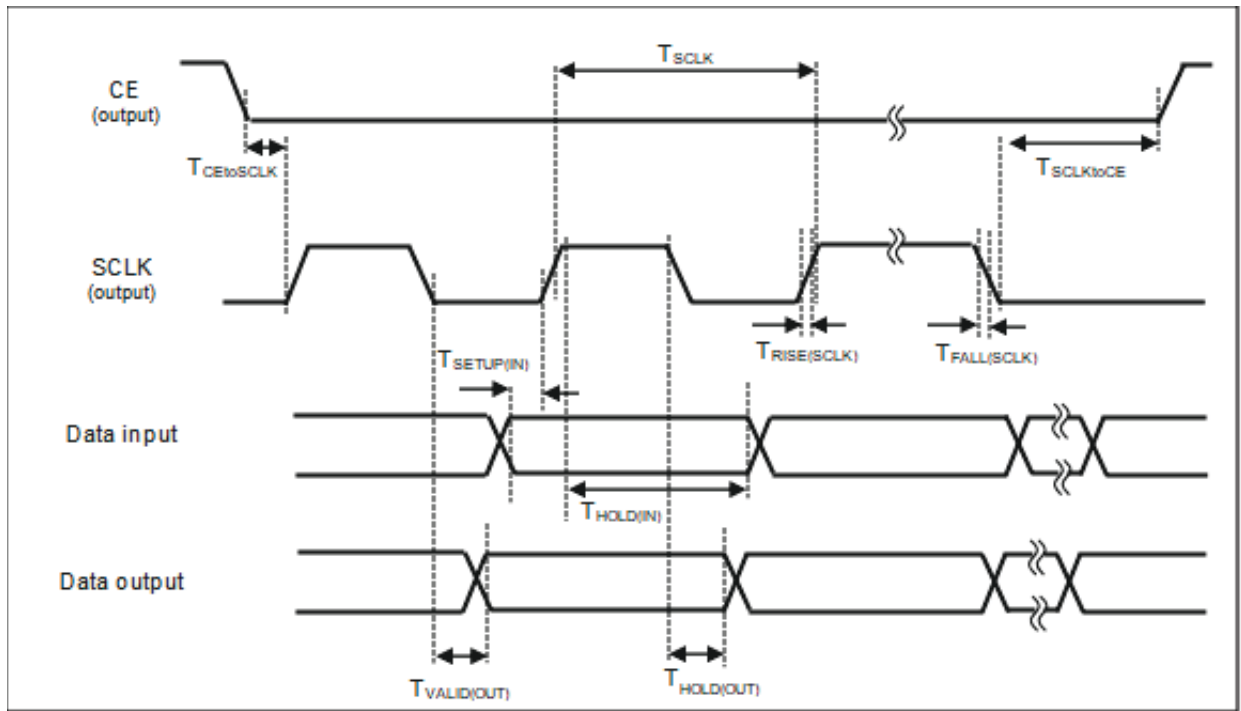


Figure 61. MSPI Timing Diagram - SDR with non-DQS Mode

### 29.15.2 DDR with DQS Mode with Octal Data Width

The following specifications cover octal data width for all MSPI instances.

- To use on-chip RX delay lines, the external data skew needs to be less than or equal to 2.0 ns.
- Timing is based on 0-tap delay on the RX delay lines, with the following settings:
  - MSPI<sub>n</sub>\_DEV0DDR\_EMULATEDDDR0 = 1
  - MSPI<sub>n</sub>\_DEV0DDR\_ENABLEDQS0 = 1

where MSPI instance n = 0, 1 or 2.

**Table 44: MSPI Timing (DDR with DQS Mode)**

| Symbol                  | Parameter              | Test Conditions                     | Min  | Typ | Max             | Unit                | Comments  |
|-------------------------|------------------------|-------------------------------------|------|-----|-----------------|---------------------|---|
| F <sub>SCLK</sub>       | SCLK frequency range   |                                     | -    | -   | 48 <sup>a</sup> | MHz                 | See MSPI section for any instance-specific clock limitations. |
| T <sub>LOW(SCLK)</sub>  | Clock low time         |                                     | 0.37 | -   | 0.55            | 1/F <sub>SCLK</sub> |   |
| T <sub>HIGH(SCLK)</sub> | Clock high time        |                                     | 0.45 | -   | 0.63            | 1/F <sub>SCLK</sub> |   |
| T <sub>RISE(SCLK)</sub> | Clock rise time        | 15 pF load, GPIO Drive Strength=0x3 | -    | 2.4 | -               | ns                  |   |
| T <sub>FALL(SCLK)</sub> | Clock fall time        | 15 pF load, GPIO Drive Strength=0x3 | -    | 2.5 | -               | ns                  |   |
| T <sub>CEtoSCLK</sub>   | CE to SCLK start time  |                                     | 1.2  | -   | -               | ns                  |   |
| T <sub>SCLKtoCE</sub>   | SCLK to CE end time    |                                     | 10   | -   | -               | ns                  |   |
| T <sub>SETUP(IN)</sub>  | Input data setup time  |                                     | 4.3  | -   | -               | ns                  |   |
| T <sub>HOLD(IN)</sub>   | Input data hold time   |                                     | 2.2  | -   | -               | ns                  |   |
| T <sub>VALID(OUT)</sub> | Output data valid time | 15 pF load, GPIO Drive Strength=0x3 | -    | -   | 4               | ns                  |   |
| T <sub>HOLD(OUT)</sub>  | Output data hold time  | 15 pF load, GPIO Drive Strength=0x3 | -5   | -   | -               | ns                  |   |

a. For all MSPI instances, DDR with DQS octal data width is not supported at 48 or 96 MHz.

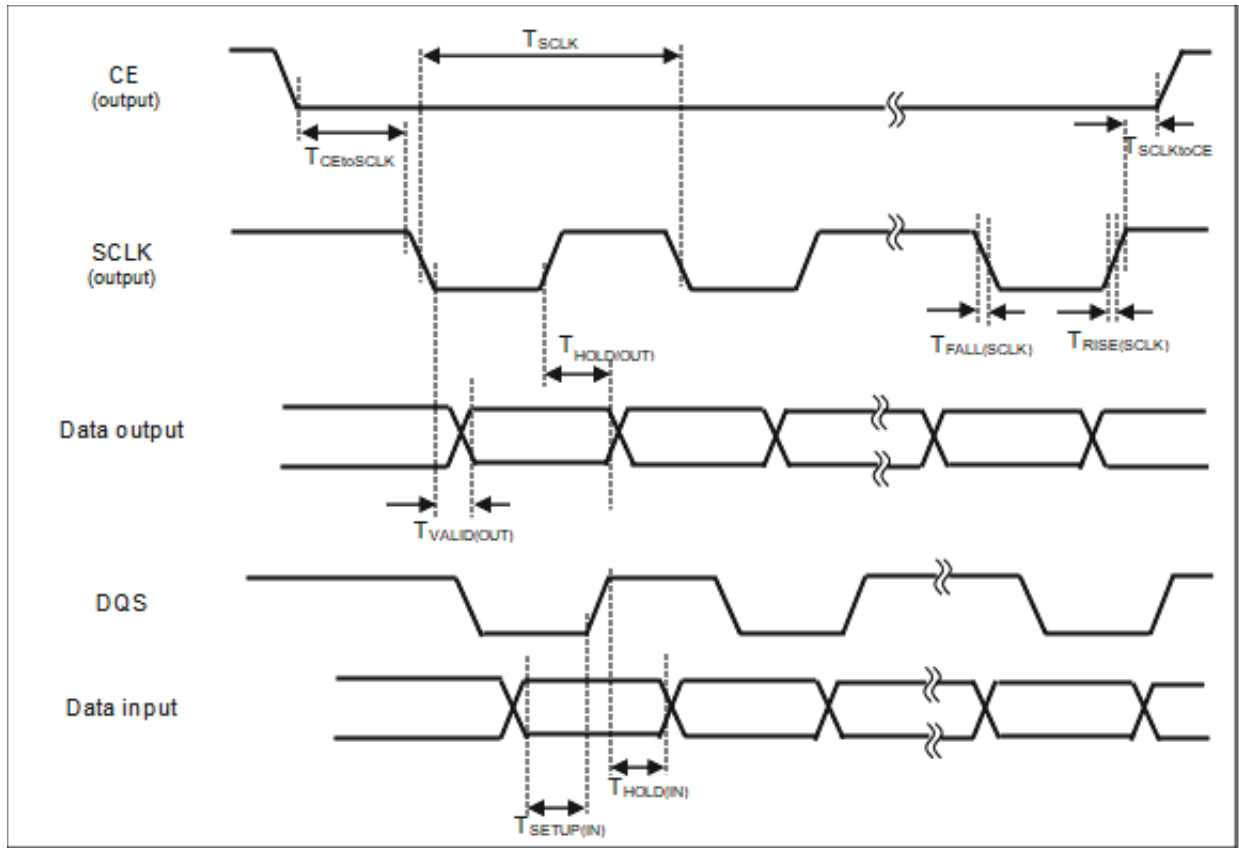


Figure 62. MSPI Timing Diagram - DDR with DQS Mode

## 29.16 I<sup>2</sup>C/SPI Master (IOM)

### 29.16.1 Serial Peripheral Interface (SPI) Master Interface

The timing specifications provided are based on simulated characterization and cover the worst-case fastest and slowest corners.

**Table 45: Serial Peripheral Interface (SPI) Master Interface**

| Symbol                              | Parameter                                   | Test Condition                   | Min  | Typ | Max  | Unit                |
|-------------------------------------|---|----------------------------------|------|-----|------|---------------------|
| F <sub>SCLK(CPHA0)</sub>            | SCLK frequency range, CPHA = 0              |                                  | -    | 24  | 48   | MHz                 |
| F <sub>SCLK(CPHA1)</sub>            | SCLK frequency range, CPHA = 1              |                                  | -    | 24  | 24   | MHz                 |
| F <sub>SCLK_3WIRE(CPHA0)</sub>      | SCLK frequency range, 3-wire mode, CPHA = 0 |                                  | -    | 8   | 12   | MHz                 |
| F <sub>SCLK_3WIRE(CPHA1)</sub>      | SCLK frequency range, 3-wire mode, CPHA = 1 |                                  | -    | 8   | 12   | MHz                 |
| T <sub>LOW(SCLK)</sub>              | Clock low time                              |                                  | 0.37 | -   | 0.55 | 1/F <sub>SCLK</sub> |
| T <sub>HIGH(SCLK)</sub>             | Clock high time                             |                                  | 0.45 | -   | 0.63 | 1/F <sub>SCLK</sub> |
| T <sub>RISE(SCLK)</sub>             | Clock rise time                             | 15 pf, GPIO Drive Strength = 0x3 | -    | 2.4 | -    | ns                  |
| T <sub>FALL(SCLK)</sub>             | Clock fall time                             | 15 pf, GPIO Drive Strength = 0x3 | -    | 2.5 | -    | ns                  |
| T <sub>RISE(MOSI)</sub>             | MOSI output rise time                       | 15 pf, GPIO Drive Strength = 0x3 | -    | 2.6 | -    | ns                  |
| T <sub>FALL(MOSI)</sub>             | MOSI output fall time                       | 15 pf, GPIO Drive Strength = 0x3 | -    | 2.6 | -    | ns                  |
| T <sub>CEtoSCLK</sub>               | CE to SCLK start time                       |                                  | 0.5  | -   | 2    | 1/F <sub>SCLK</sub> |
| T <sub>SCLKtoCE</sub>               | SCLK to CE end time                         |                                  | 0.5  | -   | 2.2  | 1/F <sub>SCLK</sub> |
| T <sub>SETUP(MISO)</sub>            | MISO input data setup time                  |                                  | 6    | -   | -    | ns                  |
| T <sub>HOLD(MISO)</sub>             | MISO input data hold time                   |                                  | 6    | -   | -    | ns                  |
| T <sub>VALID(MOSI)</sub>            | MOSI output data valid time                 |                                  | -    | -   | 12   | ns                  |
| T <sub>VALID_HOLD(MOSI)</sub>       | MOSI output data hold time                  |                                  | -1   | -   | -    | ns                  |
| T <sub>SETUP_3WIRE(MOSI)</sub>      | MOSI input data setup time, 3-wire mode     |                                  | 36   | -   | -    | ns                  |
| T <sub>HOLD_3WIRE(MOSI)</sub>       | MOSI input data hold time, 3-wire mode      |                                  | 6    | -   | -    | ns                  |
| T <sub>VALID_3WIRE(MOSI)</sub>      | MOSI output data valid time, 3-wire mode    |                                  | -    | -   | 30   | ns                  |
| T <sub>VALID_HOLD_3WIRE(MOSI)</sub> | MOSI output data hold time, 3-wire mode     |                                  | -1   | -   | -    | ns                  |

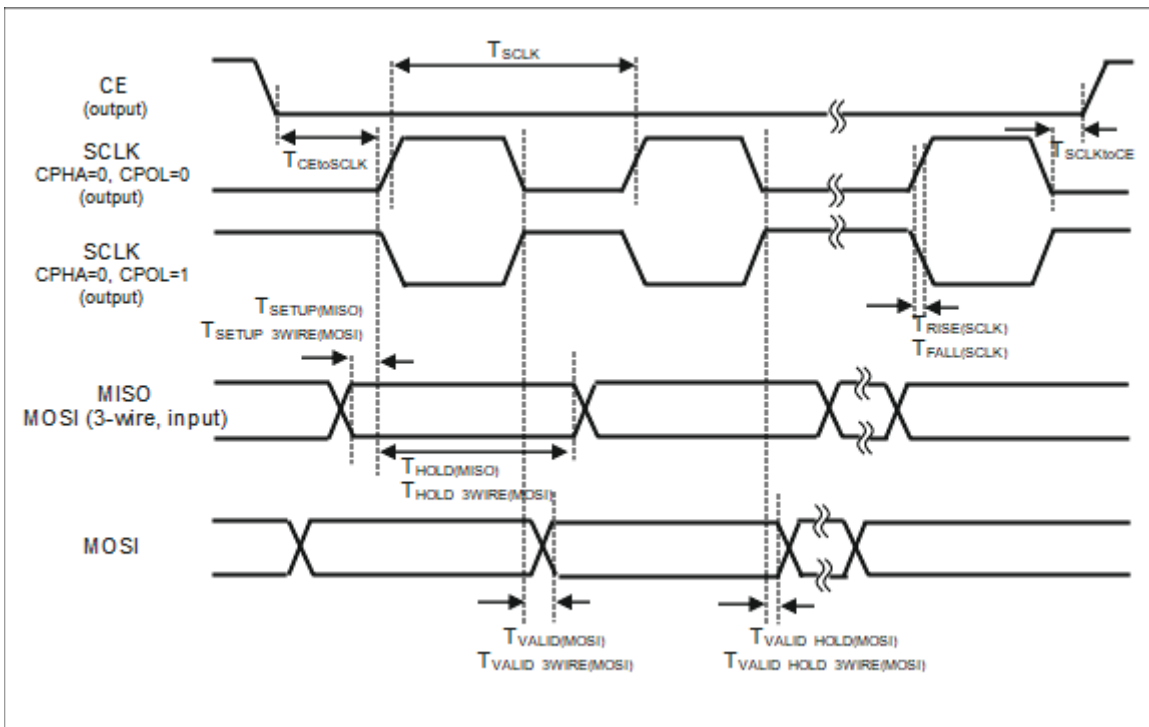


Figure 63. SPI Master Mode, Phase = 0

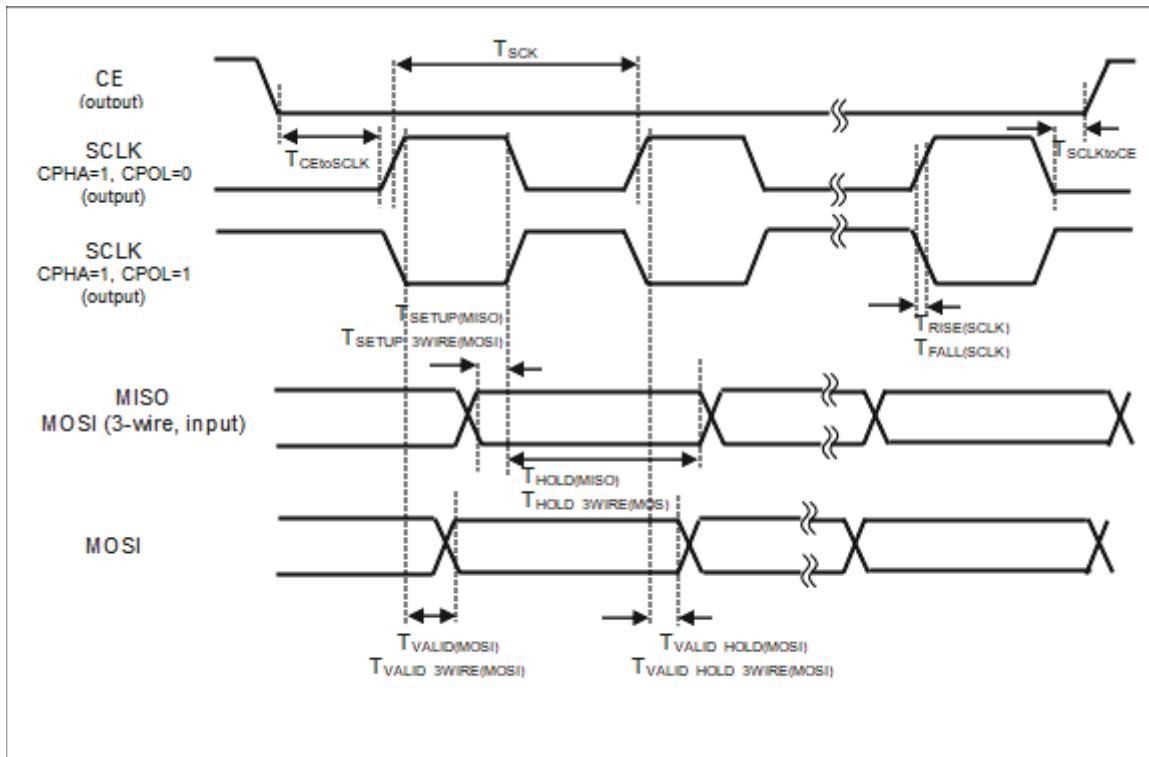


Figure 64. SPI Master Mode, Phase = 1

## 29.17 I<sup>2</sup>C/SPI Slave (IOS)

### 29.17.1 Serial Peripheral Interface (SPI) Slave Interface

**Table 46: Serial Peripheral Interface (SPI) Slave Interface**

| Symbol               | Parameter            | Min                        | Typ | Max | Unit |
|----------------------|----------------------|----------------------------|-----|-----|------|
| F <sub>SCLK</sub>    | SCLK frequency range | -                          | -   | 12  | MHz  |
| T <sub>SCLK_LO</sub> | Clock low time       | 1/2F <sub>S-CLK(max)</sub> | -   | -   | s    |
| T <sub>SCLK_HI</sub> | Clock high time      | 1/2F <sub>S-CLK(max)</sub> | -   | -   | s    |

**NOTE**

The IOS has throughput limitations based on CPU utilization and only the following host-to-slave communication speeds are supported:

- Direct Access (Host TX): 100 kHz to 24 MHz
- FIFO read range (Host RX): 100 kHz to 400 kHz and 16 MHz to 24 MHz.

## 29.18 Universal Asynchronous Receiver/Transmitter (UART)

**Table 47: Universal Asynchronous Receiver/Transmitter (UART)**

| Symbol            | Parameter      | Min | Typ | Max | Unit |
|-------------------|----------------|-----|-----|-----|------|
| F <sub>BAUD</sub> | UART baud rate |     | -   | 1.5 | Mbps |

## 29.19 Universal Serial Bus (USB)

### 29.19.1 USB Power Gating and Leakage Current

Table 48: USB Power Gating

| VDDF_USB_SW | VDDUSB0P9 | VDD33 | Requirements  |
|-------------|-----------|-------|---|
| off         | on        | on    | VDDF_USB_SW must be pulled to ground. A floating supply will cause leakage from VDDUSB0P9.        |
| on          | off       | on    | VDDUSB0P9 must be pulled to ground. A floating supply will cause leakage from VDDF_USB_SW.        |
| on          | off       | off   | VDDUSB0P9/VDD33 must be pulled to ground. A floating supply will cause leakage from VDDF_USB_SW.  |
| off         | off       | on    | VDDF_USB_SW /VDDUSB0P9 must be pulled to ground. A floating supply will cause leakage from VDD33. |

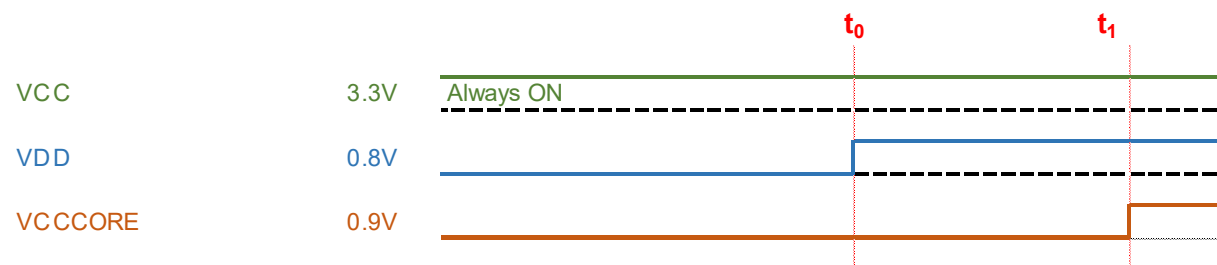


Table 49: Leakage Current at Different External Supply Voltages

| Operating conditions   | VDD<br>(0.8 V nom) | VCCCORE<br>(0.9 V nom) | VCC<br>(3.3 V nom) | Worst case<br>leakage<br>@VCC | Worst case<br>leakage @<br>VCCCORE | Worst case<br>leakage<br>@VDD |
|--|--------------------|------------------------|--------------------|-------------------------------|------------------------------------|-------------------------------|
| USB came out of reset;<br>PHY is in suspend mode                             | 0.8 V              | 0.9 V                  | 3.3 V              | 40 $\mu$ A                    | 4 $\mu$ A                          | 0                             |
| USB came out of reset;<br>PHY is in suspend mode                             | 0.8 V              | 0.9 V                  | 3.4 V              | 42 $\mu$ A                    | 4 $\mu$ A                          | 0                             |
| PHY is not operational;<br>All input signals are at their<br>default values. | 0                  | 0                      | 3.3 V              | 1.2 $\mu$ A                   | 0                                  | 0                             |
| PHY is not operational;<br>All input signals are at their<br>default values. | 0                  | 0                      | 3.2 V              | 1.1 $\mu$ A                   | 0                                  | 0                             |
| PHY is not operational;<br>All input signals are at their<br>default values. | 0                  | 0                      | 1.9 V              | 0.7 $\mu$ A                   | 0                                  | 0                             |
| PHY is not operational;<br>All input signals are at their<br>default values. | 0                  | 0.9 V                  | 3.2 V              | X                             | X                                  | 0                             |
| PHY is not operational;<br>All input signals are at their<br>default values. | 0                  | 0.9 V                  | 1.9 V              | X                             | X                                  | 0                             |

## NOTES:

- 3.4 V nominal on 3.3 V rail is OK as long as the maximum voltage kept to  $\leq 3.6$  V.
- All numbers given are with the assumption PHY is brought to suspend state, and the USB controller is held in reset before any rails are powered off.
- Both DP/DM are in the high-Z state if the PHY is powered off when in suspend or reset state. Otherwise, the DP/DM state depends on the state USB controller/SW is in at the moment when PHY power goes off.
- Leakage via external ESD protection brings DP/DM voltage to zero when PHY puts them in the high-Z state.
- If 3.3 V is always powered, the software shall enable internal 0.8 V rail before the external 0.9V. Otherwise, leakage can't be controlled (last two rows of the table).
- "X" indicates that the leakage current is out of control.
- Assuming 3.3 V is always on, the power-on sequence depicted below is allowed with no limitations on the duration  $[t_0...t_1]$ . The leakage for the period from  $t_0$  to  $t_1$  is several microamps.



## 29.19.2 USB PHY Power and Interface Timing Requirements

**Table 50: USB PHY Power Supply**

| Parameter                          | Condition  | Min   | Typ | Max   | Units |
|------------------------------------|--|-------|-----|-------|-------|
| VDDUSB33 - Voltage                 |  | 3.0   | -   | 3.6   | V     |
| VDDUSB33 - Max Load                |  | -     | -   | 6     | mW    |
| VDDUSB0P9 - Voltage                |  | 0.837 | -   | 0.990 | V     |
| VDDUSB0P9 - Ripple                 |  | -     | -   | 5     | %     |
| VDDUSB0P9 - Max Continuous Current |  | -     | -   | 3.23  | mA    |
| VDDUSB0P9 - Peak Current           |  | -     | -   | 40    | mA    |
| VDDUSB33 - Power Consumption       | Power consumption in suspend state when both 3.3 V and 0.9 V are supplied. | -     | -   | 4     | μA    |
| VDDUSB0P9 - Power Consumption      |  | -     | -   | 5     | μA    |

## 29.20 Secure Digital Input Output (SDIO)

**Table 51: Secure Digital Input Output (SDIO)**

| Symbol    | Parameter                             | Test Conditions | Min | Typ | Max | Unit |
|-----------|---------------------------------------|-----------------|-----|-----|-----|------|
| $F_{CLK}$ | Clock frequency in data transfer mode | SDR Only        | 0   | -   | 96  | MHz  |
| $T_r$     | Clock rise time (SDR)                 |                 | -   | 2.7 | -   | ns   |
| $T_f$     | Clock fall time (SDR)                 |                 | -   | 2.2 | -   | ns   |

## 29.21 Audio Analog-to-Digital Converter (AUDADC)

### NOTE

See “VDDAUDA Voltage Supply Requirements” on page 196 for the power supply requirements for the AUDADC module.

### 29.21.1 AUDADC Audio Specifications

In Table 52, the following conditions apply unless otherwise indicated.

- CLK source = XTALHS 24.576 MHz
- Input Frequency = 997 Hz
- Sample Rate = 48 kHz
- PGA GAIN = 0dB
- Pseudo-differential input
- DRE disabled
- 0.1uF X5R/X7R AC coupling capacitors used
- 100 nF low leakage capacitor on LPADC\_VREF (part number 0201ZD104KAT2A)
- VDDAUDA driven by LDO except for PSRR measurements

**Table 52: AUDADC Audio Specifications**

| Symbol                            | Parameter   | Test Condition            | Weighting  | Min | Typ | Max | Units |
|-----------------------------------|---|---------------------------|------------|-----|-----|-----|-------|
| $A_{\text{AUDADC\_PGA}}$          | PGA Gain  | Minimum                   | -          | -   | -6  | -   | dB    |
|                                   |   | Maximum                   | -          | -   | 24  | -   | dB    |
|                                   |   | Step Size                 | -          | -   | 0.5 | -   | dB    |
| $\text{THD}_{\text{AUDADC}}$      | Total Harmonic Distortion + Noise (THD+N) (DRE disabled)                | PGA Gain = 0 dB, -1 dBFS  | A-weighted | -   | -61 | -   | dB    |
|                                   |   |                           | Unweighted | -   | -58 | -   | dB    |
|                                   |   | PGA Gain = 12 dB, -1 dBFS | A-weighted | -   | -60 | -   | dB    |
|                                   |   |                           | Unweighted | -   | -58 | -   | dB    |
|                                   |   | PGA Gain = 24 dB, -1 dBFS | A-weighted | -   | -54 | -   | dB    |
|                                   |   |                           | Unweighted | -   | -50 | -   | dB    |
| $\text{FDI\_DR}_{\text{AUDADC}}$  | Dynamic Range (DR) Fully-differential input (DRE disabled) <sup>a</sup> | PGA Gain = 0 dB           | A-weighted | -   | -65 | -   | dB    |
|                                   |   |                           | Unweighted | -   | -60 | -   | dB    |
|                                   |   | PGA Gain = 12 dB          | A-weighted | -   | -63 | -   | dB    |
|                                   |   |                           | Unweighted | -   | -58 | -   | dB    |
|                                   |   | PGA Gain = 24 dB          | A-weighted | -   | -58 | -   | dB    |
|                                   |   |                           | Unweighted | -   | -53 | -   | dB    |
| $\text{IC\_ISOL}_{\text{AUDADC}}$ | Interchannel Isolation  | PGA Gain = 0 dB           | 1 kHz      | -   | 60  | -   | dB    |
|                                   |   | PGA Gain = 24 dB          | 1 kHz      | -   | 60  | -   | dB    |

Table 52: AUDADC Audio Specifications

| Symbol                    | Parameter   | Test Condition   | Weighting | Min | Typ   | Max | Units |
|---------------------------|---|--|-----------|-----|-------|-----|-------|
| FDIV_FS <sub>AUDADC</sub> | Full Scale Input Voltage (Fully Differential Input) | PGA Gain = -6 dB   | -         | -   | 1000  | -   | mVrms |
|                           |   | PGA Gain = 0 dB  | -         | -   | 500   | -   | mVrms |
|                           |   | PGA Gain = 12 dB   | -         | -   | 125   | -   | mVrms |
|                           |   | PGA Gain = 24 dB   | -         | -   | 31.25 | -   | mVrms |
|                           |   | PGA Gain = 30 dB   | -         | -   | 15.63 | -   | mVrms |
| MOD_IDX <sub>AUDADC</sub> | Modulation Index <sup>b</sup>                       |  | -         | -   | 78.3  | -   | %FS   |
| V <sub>AUDADCIN</sub>     | DC Voltage Range at Analog Input Pin                | Pin floating   | -         | -   | 0.8   | -   | V     |
| V <sub>AUDADCREF</sub>    | DC Voltage Range at LPADC_REF                       | See Note <sup>c</sup>  | -         | -   | 1.2   | -   | V     |
| CMRR <sub>AUDADC</sub>    | Common Mode Rejection Ratio (CMRR) <sup>d</sup>     | 100 mVpp on both inputs, Sample Rate = 48 kHz, PGA GAIN = 0 dB | 217 Hz    | -   | -63   | -   | dB    |
|                           |   |  | 1 kHz     | -   | -62   | -   | dB    |
|                           |   |  | 20 kHz    | -   | -51   | -   | dB    |
| ATOT <sub>AUDADC</sub>    | Audio Turn-on Time                                  | With BGTLP always on and PGA VREFGEN quick charge              | -         | -   | 10    | -   | ms    |

- a. Dynamic Range is measured by measuring THD+N of -40 dBFS input signal, multiplying by negative 1, and adding 40 dB.
- b. Modulation index specifies the percentage of the digital full scale obtained when a full scale analog input is driven on the PGA inputs for a given gain. Exceeding the full-scale analog voltage may result in a distorted/clipped signal.
- c. LPADC\_REF pin may not be loaded due to low current drive (even with a typical voltmeter). For voltage measurements, use high impedance buffer before connecting to voltmeter.
- d. CMRR is measured by shorting the inputs of the AC coupling capacitors together and to the sinusoidal waveform generator.

## 29.21.2 AUDADC Mic Bias Specifications

**Table 53: AUDADC Mic Bias Specifications**

| Symbol                   | Parameter                    | Test Condition   | Min | Typ     | Max | Units |
|--------------------------|------------------------------|------------------|-----|---------|-----|-------|
| V <sub>AUDADC_OVNL</sub> | Output Voltage (no load)     | VOLTAGETRIM = 5  | -   | 0.9     | -   | V     |
| V <sub>AUDADC_OVNL</sub> | Output Voltage (no load)     | VOLTAGETRIM = 32 | -   | 1.25    | -   | V     |
| V <sub>AUDADC_OVNL</sub> | Output Voltage (no load)     | VOLTAGETRIM = 52 | -   | 1.5     | -   | V     |
| V <sub>AUDADC_OVBM</sub> | Output Voltage (Bypass Mode) | VOLTAGETRIM = 63 | -   | VDDAUDA | -   | V     |

## 29.21.3 ASRC Performance

### 29.21.3.1 Analysis by Test Cases

The figures in this subsection present the spectra using a sinusoidal test wave of amplitude -1 dB and different input and output frequencies. The test cases and the corresponding parameters are listed in Table 54.

**Table 54: ASRC Test Cases**

| Test Case | Figure    | Sample Size (Bits) | Signal Frequency (kHz) | FS <sub>in</sub> (kHz) | FS <sub>out</sub> (kHz) | Source Ratio (FS <sub>out</sub> / FS <sub>in</sub> ) |
|-----------|-----------|--------------------|------------------------|------------------------|-------------------------|--|
| 1         | Figure 65 | 8                  | 1                      | 192                    | 98.5                    | 0.513  |
| 2         | Figure 66 | 16                 | 2                      | 48                     | 48.1                    | 1.002  |
| 3         | Figure 67 | 24                 | 5                      | 47.9                   | 96                      | 2.004  |
| 4         | Figure 68 | 32                 | 10                     | 96                     | 95.8                    | 0.998  |

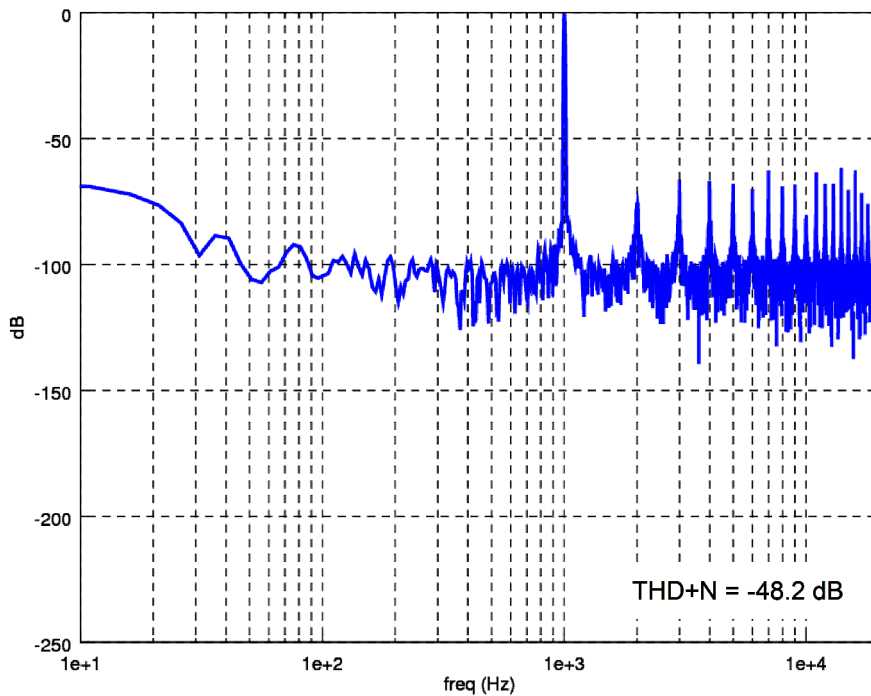


Figure 65. ASRC Performance Analysis - Test Case 1

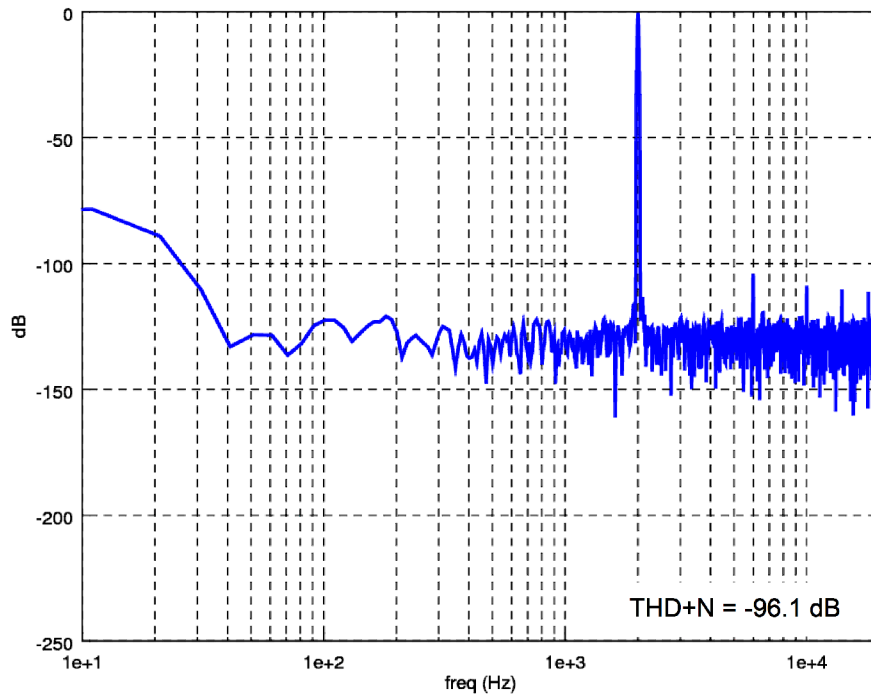


Figure 66. ASRC Performance Analysis - Test Case 2

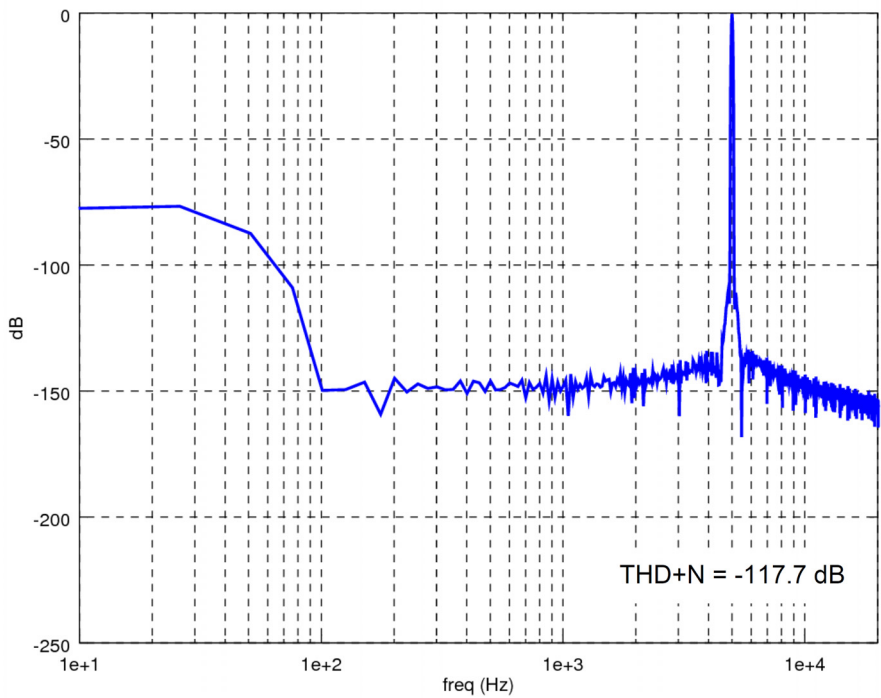


Figure 67. ASRC Performance Analysis - Test Case 3

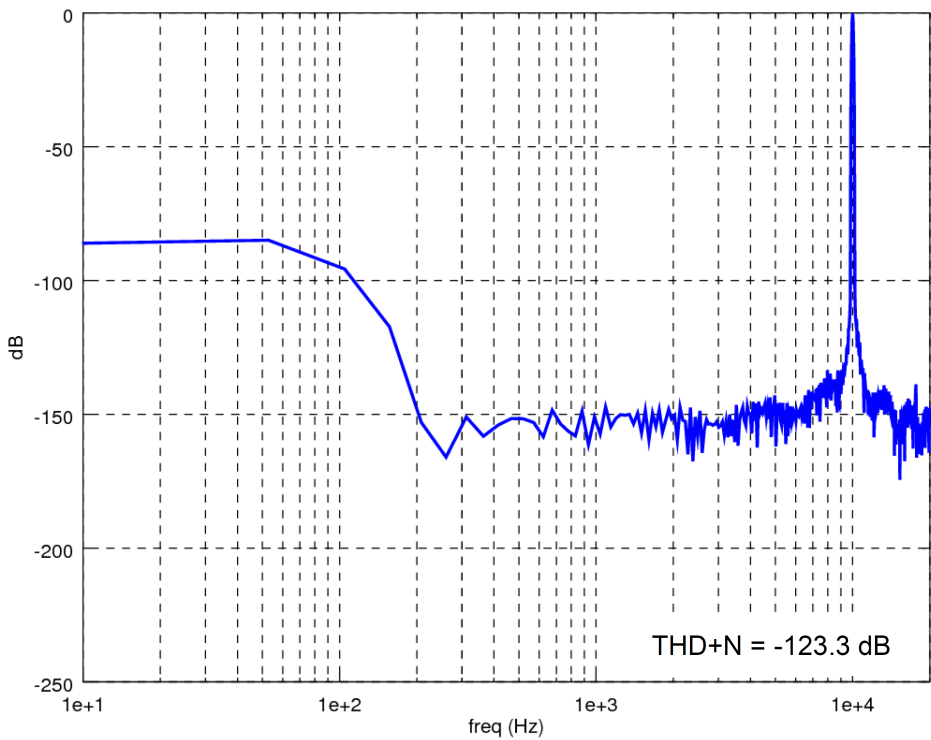


Figure 68. ASRC Performance Analysis - Test Case 4



### 29.21.3.2 Linearity Analysis

Figure 69 shows the THD+N measurement for different input signal frequencies and for different sample sizes.

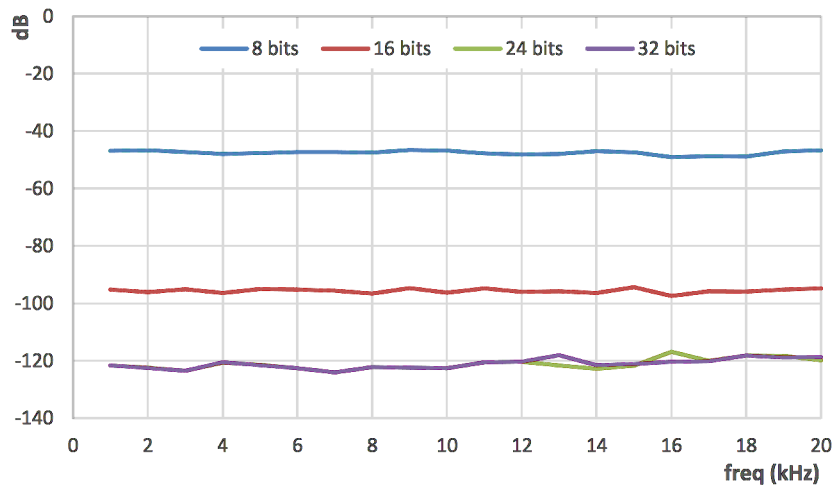


Figure 69. THD+N vs Input Frequency Using  $FS_{in} = 48\text{ kHz}$  and  $FS_{out} = 48.1\text{ kHz}$

### 29.21.3.3 Analysis for Sine Wave with Frequency of 1 kHz

Table 55 shows the values of the Total Harmonic Distortion + Noise (THD+N) for some conversion ratios, using a 1 kHz input signal.

Table 55: THD+N for Some Conversion Ratios Using a 1 kHz Input Signal

| Rate Conversion (kHz) | Ratio  | Total Harmonic Distortion + Noise (dB) |         |         |         |
|-----------------------|--------|--|---------|---------|---------|
|                       |        | 8 bits                                 | 16 bits | 24 bits | 32 bits |
| 48 → 48.1             | 1.0021 | -47.5                                  | -97.2   | -127.0  | -127.1  |
| 44.1 → 80             | 1.8141 | -48.5                                  | -95.8   | -131.8  | -131.8  |
| 96 → 96.1             | 1.0010 | -47.2                                  | -96.0   | -131.5  | -131.5  |
| 48 → 72               | 1.5000 | -47.6                                  | -97.1   | -141.7  | -141.9  |

**Table 55: THD+N for Some Conversion Ratios Using a 1 kHz Input Signal**

| Rate Conversion (kHz) | Ratio  | Total Harmonic Distortion + Noise (dB) |         |         |         |
|-----------------------|--------|--|---------|---------|---------|
|                       |        | 8 bits                                 | 16 bits | 24 bits | 32 bits |
| 98.5 → 192            | 1.9492 | -47.9                                  | -95.5   | -135.9  | -135.5  |
| 180 → 192             | 1.0667 | -48.7                                  | -95.7   | -125.7  | -125.6  |
| 48.1 → 48             | 0.9979 | -48.9                                  | -96.7   | -128.6  | -128.6  |
| 80 → 44.1             | 0.5513 | -49.6                                  | -97.4   | -120.9  | -121.0  |
| 96.1 → 96             | 0.9989 | -47.8                                  | -96.1   | -131.8  | -131.7  |
| 72 → 48               | 0.6667 | -50.7                                  | -98.9   | -141.4  | -139.5  |
| 192 → 98.5            | 0.5130 | -48.1                                  | -96.8   | -126.3  | -126.2  |
| 192 → 180             | 0.9375 | -47.2                                  | -95.9   | -139.9  | -139.9  |

## 30. Ordering Information

**Table 56: Ordering Information**

| Device Name      | Orderable Part Number | NVM  | RAM     | Package (mm)             | Packing       | Temperature Range |
|------------------|-----------------------|------|---------|--------------------------|---------------|-------------------|
| Apollo4 Plus SoC | AMAP42KP-KBR          | 2 MB | 2.75 MB | 5.0 x 5.0<br>146-pin BGA | Tape and Reel | -20 to 60°C       |

## 31. Document Revision History

**Table 57: Document Revision List**

| Revision | Date     | Description   |
|----------|----------|---|
| 0.5.0    | Sep 2021 | Initial public release (under NDA)  |
| 0.5.1    | Oct 2021 | <p>Package Pins:</p> <ul style="list-style-type: none"> <li>- Corrected FCNSEL0 and FCNSEL10 for pads 37-45 in Apollo4 Plus SoC Pin Mapping Table (Pg1).</li> </ul> <p>GPIO:</p> <ul style="list-style-type: none"> <li>- Corrected FCNSEL0 and FCNSEL10 for pads 37-45 in Pin List and Function Table.</li> </ul> <p>MSPI:</p> <ul style="list-style-type: none"> <li>- Removed remaining reference to unsupported DEVICE1. Added note in section 14.3 describing configuration process for PSRAM.</li> </ul>  |
| 1.0.0    | Feb 2022 | <p>Package Pins:</p> <ul style="list-style-type: none"> <li>- Added XO and XO32M signals to the Pin List and Function table.</li> </ul> <p>Package Pins/MSPI:</p> <ul style="list-style-type: none"> <li>- Added GPIO14 and GPIO75 to list of pads offering MSPI CE function; removed GPIO89.</li> </ul> <p>MCU Core:</p> <ul style="list-style-type: none"> <li>- Updated "System Power States" section.</li> </ul> <p>Display Controller:</p> <ul style="list-style-type: none"> <li>- Removed sections on unsupported serial interfaces; added DDR support for QuadSPI; added support for RGBA4444 and ARGB4444 input formats.</li> </ul> <p>GPU:</p> <ul style="list-style-type: none"> <li>- Added support for HW Blender, antialiasing, dithering, additional color formats.</li> </ul> <p>I<sup>2</sup>S:</p> <ul style="list-style-type: none"> <li>- Added note about limitation of TDM use to a single peripheral.</li> </ul>                                     |
| 1.0.1    | Feb 2022 | Operating temperature range corrected.  |
| 1.1.0    | Aug 2022 | <p>Package Pins:</p> <ul style="list-style-type: none"> <li>- Removed MSPI function from Funcsel0 of pins 95-104 in Pin List and Function Table.</li> </ul> <p>IOM:</p> <ul style="list-style-type: none"> <li>- Maximum I2C transfer size updated to 512 bytes.</li> </ul> <p>MSPI:</p> <ul style="list-style-type: none"> <li>- Noted that for all MSPI instances, max clock rate for non-DQS SDR octal data width is 48 MHz.</li> <li>- Noted that for MSPI2, the maximum clock rate for non-DQS DDR octal data width is 12 MHz.</li> <li>- Noted that MSPI<sub>In_4</sub> cannot be used as the MSPI's clock line.</li> </ul> <p>Electricals:</p> <ul style="list-style-type: none"> <li>- Current Consumption table updated with active and low power mode values.</li> <li>- High-speed Crystal Oscillator table updated.</li> <li>- VDDAUDA Voltage Supply Requirements section added.</li> <li>- PGA maximum gain updated in AUDADC Audio Specifications</li> </ul> |

Table 57: Document Revision List

| Revision | Date     | Description   |
|----------|----------|---|
| 1.2.0    | Jan 2023 | <p>Front Page Features List, SoC Product Introduction and ADC:</p> <ul style="list-style-type: none"> <li>- Clarified that stated ADC max sampling rate applies to 8-bit mode.</li> </ul> <p>CLKGEN:</p> <ul style="list-style-type: none"> <li>- Nominal LFRC clock frequency updated to 900 Hz.</li> </ul> <p>Package Pins:</p> <ul style="list-style-type: none"> <li>- Added J13 (MIPI_D1N) and K13 (MIPI_D1P) to Pin List and Function Table.</li> </ul> <p>MSPI:</p> <ul style="list-style-type: none"> <li>- Noted that all non-nCE MSPI interface pins should be configured for 1P0X drive strength.</li> </ul> <p>ADC:</p> <ul style="list-style-type: none"> <li>- Clock source selection updated in Functional Overview.</li> <li>- Note added about effect of existing errata on achievable sample rate.</li> </ul> <p>I2S:</p> <ul style="list-style-type: none"> <li>- Several “usage” sections moved to Apollo4 Family Programmer’s Guide, v7.0.</li> </ul> <p>DC:</p> <ul style="list-style-type: none"> <li>- Note added describing interface restrictions when using RGBA4444 or ARGB4444 input color modes.</li> </ul> <p>Electricals:</p> <ul style="list-style-type: none"> <li>- Absolute Maximum Ratings: Storage temp range added.</li> <li>- Total memory for “System Deep Sleep mode 2 current - all memory retained” corrected to 2816 kB.</li> <li>- Typical LFRC clock frequency updated to 900 Hz.</li> </ul> |

Table 57: Document Revision List

| Revision | Date     | Description   |
|----------|----------|---|
| 1.3.0    | Apr 2024 | <p>Front Page Features List and SoC Product Introduction:</p> <ul style="list-style-type: none"> <li>- Corrected number of I<sup>2</sup>S instances from 4 to 2.</li> </ul> <p>MCU Core:</p> <ul style="list-style-type: none"> <li>- Updated SYS Deep Sleep Mode 2 (S<sub>DS2</sub>).</li> <li>- Note added that the use of Internal LDO Mode is restricted to only LP Mode.</li> </ul> <p>Memory Subsystem:</p> <ul style="list-style-type: none"> <li>- Note added about silicon erratum ERR082: Potential lockup when DC/GFX accesses MSPI/ Extended Memory while MSPI is DMAing to there.</li> </ul> <p>RESET:</p> <ul style="list-style-type: none"> <li>- Note added about an erratum, ERR087, that a POR failure may occur during power-on.</li> </ul> <p>CLKGEN:</p> <ul style="list-style-type: none"> <li>- Note added about a limitation related with deepsleep mode when using XTALHS as a module clock source.</li> </ul> <p>Security:</p> <ul style="list-style-type: none"> <li>- Note added about Apollo4 SDK using dynamic trim adjustments.</li> <li>- Note added that Secure Life Cycle State (LCS) is not supported.</li> </ul> <p>TIMER:</p> <ul style="list-style-type: none"> <li>- Note added that Down-Counter mode is not supported on any Apollo4 family devices.</li> </ul> <p>GPIO:</p> <ul style="list-style-type: none"> <li>- Note added that the SBL SWO pin toggles during bootup.</li> <li>- Note added about erratum ERR046 that GPIO0's function selections Force Input Enable Active (FIEN) and Force Output Enable Active (FOEN) are not operational.</li> </ul> <p>MSPI:</p> <ul style="list-style-type: none"> <li>- Note added that CQ/DMA may be affected by erratum ERR080..</li> </ul> <p>IOM:</p> <ul style="list-style-type: none"> <li>- Updated Table 13, "Settings for I2C Clock Speeds," on page 125</li> <li>- Note added that due to erratum ERR101, an invalid write of 0b'00 to the IOM CMD_CMD field causes the command queue (CQ) to pause indefinitely.</li> <li>- Note added that I<sup>2</sup>C clock stretching operation is not guaranteed.</li> <li>- Note added about erratum ERR102 which describes how one additional CQ buffer operation occurs after a condition to pause on a GPIOXOREN event.</li> </ul> <p>IOS:</p> <ul style="list-style-type: none"> <li>- Note added about erratum ERR039 that there cannot be any other slaves on the IOS SPI bus.</li> </ul> <p>USB:</p> <ul style="list-style-type: none"> <li>- Note added that use of USB is restricted.</li> </ul> <p>SDIO:</p> <ul style="list-style-type: none"> <li>- Added note about support is for bare metal operation only, and transfer speed/mode limits.</li> </ul> <p>DC:</p> <ul style="list-style-type: none"> <li>- Added note about supported display size configurations and resulting frame rate.</li> </ul> <p>DSI:</p> <ul style="list-style-type: none"> <li>- Added note that Video Mode is not supported.</li> </ul> <p>AUDADC, PDM and I2S:</p> <ul style="list-style-type: none"> <li>- Note added that lack of a hardware circular buffer for audio modules means that it must be implemented in software.</li> </ul> <p>I2S:</p> <ul style="list-style-type: none"> <li>- Note added about erratum ERR075 that I2S Master DMA does not work after entering deep sleep.</li> </ul> <p>Electricals:</p> <ul style="list-style-type: none"> <li>- Updated conditions/sequence of several supplies in the Power Supply Sequencing table.</li> <li>- Added recommendation in Recommended Operating Conditions section for a 2.2 μF capacitor between VDDF and VDDP.</li> <li>- Power Mode Transition Times section added.</li> <li>- Current Consumption: Test conditions for all SYS Deep Sleep Mode 2 (S<sub>DS2</sub>) current measurements changed from XTAL on to XTAL off.</li> <li>- Power-On RESET (POR) and Brown-Out Detector (BOD) specs updated.</li> <li>- GPIO specifications table expanded.</li> <li>- Expanded VCOMP table</li> <li>- Several ADC specs added or updated.</li> <li>- Dynamic Characteristics added to General Purpose Analog-to-Digital Converter (ADC) table.</li> <li>- Added timing specs/diagram for Display Controller SPI.</li> <li>- Updated MSPI and IOM timing specifications.</li> <li>- UART max baud rate set to 1.5 Mbps.</li> </ul> |

## Legal Information and Disclaimers

AMBIQ MICRO INTENDS FOR THE CONTENT CONTAINED IN THE DOCUMENT TO BE ACCURATE AND RELIABLE. THIS CONTENT MAY, HOWEVER, CONTAIN TECHNICAL INACCURACIES, TYPOGRAPHICAL ERRORS OR OTHER MISTAKES. AMBIQ MICRO MAY MAKE CORRECTIONS OR OTHER CHANGES TO THIS CONTENT AT ANY TIME. AMBIQ MICRO AND ITS SUPPLIERS RESERVE THE RIGHT TO MAKE CORRECTIONS, MODIFICATIONS, ENHANCEMENTS, IMPROVEMENTS AND OTHER CHANGES TO ITS PRODUCTS, PROGRAMS AND SERVICES AT ANY TIME OR TO DISCONTINUE ANY PRODUCTS, PROGRAMS, OR SERVICES WITHOUT NOTICE.

THE CONTENT IN THIS DOCUMENT IS PROVIDED "AS IS". AMBIQ MICRO AND ITS RESPECTIVE SUPPLIERS MAKE NO REPRESENTATIONS ABOUT THE SUITABILITY OF THIS CONTENT FOR ANY PURPOSE AND DISCLAIM ALL WARRANTIES AND CONDITIONS WITH REGARD TO THIS CONTENT, INCLUDING BUT NOT LIMITED TO, ALL IMPLIED WARRANTIES AND CONDITIONS OF MERCHANTABILITY, FITNESS FOR A PARTICULAR PURPOSE, TITLE AND NON-INFRINGEMENT OF ANY THIRD PARTY INTELLECTUAL PROPERTY RIGHT.

AMBIQ MICRO DOES NOT WARRANT OR REPRESENT THAT ANY LICENSE, EITHER EXPRESS OR IMPLIED, IS GRANTED UNDER ANY PATENT RIGHT, COPYRIGHT, MASK WORK RIGHT, OR OTHER INTELLECTUAL PROPERTY RIGHT OF AMBIQ MICRO COVERING OR RELATING TO THIS CONTENT OR ANY COMBINATION, MACHINE, OR PROCESS TO WHICH THIS CONTENT RELATE OR WITH WHICH THIS CONTENT MAY BE USED.

USE OF THE INFORMATION IN THIS DOCUMENT MAY REQUIRE A LICENSE FROM A THIRD PARTY UNDER THE PATENTS OR OTHER INTELLECTUAL PROPERTY OF THAT THIRD PARTY, OR A LICENSE FROM AMBIQ MICRO UNDER THE PATENTS OR OTHER INTELLECTUAL PROPERTY OF AMBIQ MICRO.

INFORMATION IN THIS DOCUMENT IS PROVIDED SOLELY TO ENABLE SYSTEM AND SOFTWARE IMPLEMENTERS TO USE AMBIQ MICRO PRODUCTS. THERE ARE NO EXPRESS OR IMPLIED COPYRIGHT LICENSES GRANTED HEREUNDER TO DESIGN OR FABRICATE ANY INTEGRATED CIRCUITS OR INTEGRATED CIRCUITS BASED ON THE INFORMATION IN THIS DOCUMENT. AMBIQ MICRO RESERVES THE RIGHT TO MAKE CHANGES WITHOUT FURTHER NOTICE TO ANY PRODUCTS HEREIN. AMBIQ MICRO MAKES NO WARRANTY, REPRESENTATION OR GUARANTEE REGARDING THE SUITABILITY OF ITS PRODUCTS FOR ANY PARTICULAR PURPOSE, NOR DOES AMBIQ MICRO ASSUME ANY LIABILITY ARISING OUT OF THE APPLICATION OR USE OF ANY PRODUCT OR CIRCUIT, AND SPECIFICALLY DISCLAIMS ANY AND ALL LIABILITY, INCLUDING WITHOUT LIMITATION CONSEQUENTIAL OR INCIDENTAL DAMAGES. "TYPICAL" PARAMETERS WHICH MAY BE PROVIDED IN AMBIQ MICRO DATA SHEETS AND/OR SPECIFICATIONS CAN AND DO VARY IN DIFFERENT APPLICATIONS AND ACTUAL PERFORMANCE MAY VARY OVER TIME. ALL OPERATING PARAMETERS, INCLUDING "TYPICALS" MUST BE VALIDATED FOR EACH CUSTOMER APPLICATION BY CUSTOMER'S TECHNICAL EXPERTS. AMBIQ MICRO DOES NOT CONVEY ANY LICENSE UNDER NEITHER ITS PATENT RIGHTS NOR THE RIGHTS OF OTHERS. AMBIQ MICRO PRODUCTS ARE NOT DESIGNED, INTENDED, OR AUTHORIZED FOR USE AS COMPONENTS IN SYSTEMS INTENDED FOR SURGICAL IMPLANT INTO THE BODY, OR OTHER APPLICATIONS INTENDED TO SUPPORT OR SUSTAIN LIFE, OR FOR ANY OTHER APPLICATION IN WHICH THE FAILURE OF THE AMBIQ MICRO PRODUCT COULD CREATE A SITUATION WHERE PERSONAL INJURY OR DEATH MAY OCCUR. SHOULD BUYER PURCHASE OR USE AMBIQ MICRO PRODUCTS FOR ANY SUCH UNINTENDED OR UNAUTHORIZED APPLICATION, BUYER SHALL INDEMNIFY AND HOLD AMBIQ MICRO AND ITS OFFICERS, EMPLOYEES, SUBSIDIARIES, AFFILIATES, AND DISTRIBUTORS HARMLESS AGAINST ALL CLAIMS, COSTS, DAMAGES, AND EXPENSES, AND REASONABLE ATTORNEY FEES ARISING OUT OF, DIRECTLY OR INDIRECTLY, ANY CLAIM OF PERSONAL INJURY OR DEATH ASSOCIATED WITH SUCH UNINTENDED OR UNAUTHORIZED USE, EVEN IF SUCH CLAIM ALLEGES THAT AMBIQ MICRO WAS NEGLIGENT REGARDING THE DESIGN OR MANUFACTURE OF THE PART.



©2024 Ambiq, Inc. All rights reserved.

Ambiq Micro, Inc.

6500 River Place Boulevard, Building 7,

Suite 200, Austin, TX 78730-1156

[www.ambiq.com/](http://www.ambiq.com/)

[sales@ambiq.com](mailto:sales@ambiq.com)

<https://support.ambiq.com>

+1 (512) 879-2850

DS-A4P-1p3p0

Version 1.3.0

Apr 2024